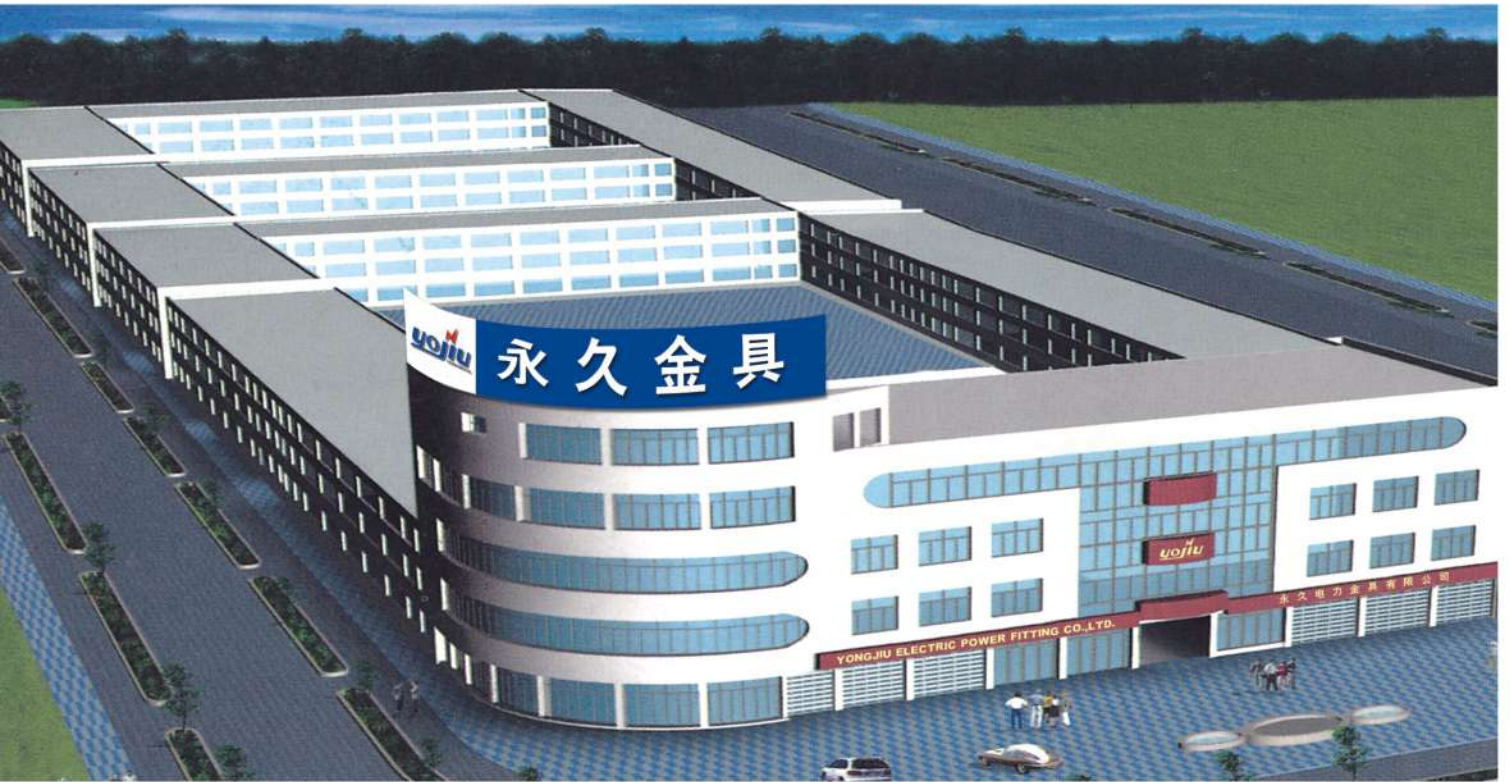


Heat Shrinkable And Silicon Rubber Accessories Product Catalogue



Company Profile

YONGJIU ELECTRIC POWER FITTING



Yongjiu Electric Power Fitting Co.,Ltd. is a primary domestic professional manufacturer of electric power fitting and cable accessory. Our main products are cable connector, line fitting, (Copper Aluminium and iron),cable accessory, plastic products, power tools, fuse(LV & HV),light arrester and insulator with approved quality complying with ISO9001/2000.

Our company was founded in 1989.Our company is located in LiuShi Town, Wenzhou, which is the center of electrical equipment in China. It is about 15 km from Wenzhou Airport and Railway Station.

Covering an area of 20,000 square meters, our company has more than 300 skilled staffs, including 38 senior & intermediate technical personnel and administrative personnel.

Focusing attention on innovation, our company has successfully developed more than 200 series products. With internationally advanced machinery processing facilities, our company is capable of producing various electric power fitting and cable accessory to meet customers' special requirement.

Our products have been exported to more than 40 countries and they are sold well in those countries and regions.

We enjoy a good reputation among customers due to unique styles and consistently high quality, Adhering to the principle of "Since Service, Faithful Reputation and Top Priority of Customers", we always try our best to provide excellent after-sales service.

We sincerely welcome clients all over the world to establish business relationships with us for a mutual development.

CONTENT

HEAT SHRINKABLE ACCESSORIES

1.LOW VOLTAGE HEAT SHRINKABLE TERMINATION& STRAIGHT JOINT ACCESSORIES	01-03
2.MEDIUM VOLTAGE HEAT SHRINKABLE TERMINATION& STRAIGHT JOINT ACCESSORIES	04-08
3.HEAT SHRINK PROTECTIVE TUBING	09
4.HEAT SHRINK INSULATING TUBING	10
5.HEAT SHRINK STRESS CONTROL TUBING	11
6.LOW VOLTAGE HEAT SHRINK TUBING	12-13
7.HEAT SHRINK BUS-BAR INSULATION TUBING	14-15
8.HEAT SHRINK INSULATION BREAKOUT	16
9.HEAT SHRINK BOOTS	17
10.HEAT SHRINK SKIRT	18
11.HEAT SHRINK END CAP	19
12.LOW VOLTAGE CAST RESIN CABLE ACCESSORY KIT	20
13.HEAT SHRINK BUS-BAR SPICED JOINT PROTECTIVE COVER	21
14.INSULATED PROTECTION OF POWER EQUIPMENT	22-25
15.SILICON RUBBER POWER ACCESSORIES	26-30



Low Voltage Heat Shrinkable Termination & Straight Joint Accessories

1 KV Heat Shrinkable Termination & Straight Joint Accessories.

Heat shrinkable termination & straight joint accessories are suitable for 0.6/1.0(1.2)kV, insulated with PVC, XLPE and PE polymeric cable.

Feature:

- Compact dimensions.
- Large cross-section range.
- Excellent corrosion resistance.
- UV resistance and weathering resistance.
- Halogen-free.
- Superior waterproof.
- Superior electrical and mechanical properties.



Low Voltage Heat Shrinkable Termination

Low Voltage Heat Shrinkable Straight Joint

Performance

Test	Requirement
Power frequency withstand voltage 1 min	4kV, No flashover, no breakdown
Heating cycles in air	1.5kV. Heating cycle at least 8h, 95°C-100°C at least 2h, natural cooling at least 3h, total 60 heating cycles
Power frequency withstand voltage 4h	2.4kV, No flashover, no breakdown

1 kV Heat Shrinkable Termination

1-Core

Type	Fit for cable(mm ²)	Length(mm)			Outdoor terminations
SY-1/1.0	10-16	600	800	1000	-
SY-1/1.1	25-50	600	800	1000	-
SY-1/1.2	70-120	600	800	1000	-
SY-1/1.3	150-240	600	800	1000	-



2-Cores

Type	Fit for cable(mm ²)	Length(mm)			Outdoor terminations
SY-1/2.0	10-16	600	800	1000	-
SY-1/2.1	25-50	600	800	1000	-
SY-1/2.2	70-120	600	800	1000	-
SY-1/2.3	150-240	600	800	1000	-



3-Cores

Type	Fit for cable(mm ²)	Length(mm)			Outdoor terminations
SY-1/3.0	10-16	600	800	1000	50
SY-1/3.1	25-50	600	800	1000	60
SY-1/3.2	70-120	600	800	1000	70
SY-1/3.3	150-240	600	800	1000	80



4-Cores

Type	Fit for cable(mm ²)	Length(mm)			Outdoor terminations
SY-1/4.0	10-16	600	800	1000	60
SY-1/4.1	25-50	600	800	1000	70
SY-1/4.2	70-120	600	800	1000	80
SY-1/4.3	150-240	600	800	1000	90



5-Cores

Type	Fit for cable(mm ²)	Length(mm)			Outdoor terminations
SY-1/5.0	10-16	600	800	1000	70
SY-1/5.1	25-50	600	800	1000	80
SY-1/5.2	70-120	600	800	1000	90
SY-1/5.3	150-240	600	800	1000	100



1 kV Heat Shrinkable Straight Joint

1-Core

Type	Fit for cable(mm ²)	Length(mm)
JSY-1/1.0	10-16	Can be produced according to customer's requirement
JSY-1/1.1	25-50	
JSY-1/1.2	70-120	
JSY-1/1.3	150-240	
JSY-1/1.4	300-400	



2-Cores

Type	Fit for cable(mm ²)	Length(mm)
JSY-1/2.0	10-16	Can be produced according to customer's requirement
JSY-1/2.1	25-50	
JSY-1/2.2	70-120	
JSY-1/2.3	150-240	



3-Cores

Type	Fit for cable(mm ²)	Length(mm)
JSY-1/3.0	10-16	Can be produced according to customer's requirement
JSY-1/3.1	25-50	
JSY-1/3.2	70-120	
JSY-1/3.3	150-240	



4-Cores

Type	Fit for cable(mm ²)	Length(mm)
JSY-1/4.0	10-16	Can be produced according to customer's requirement
JSY-1/4.1	25-50	
JSY-1/4.2	70-120	
JSY-1/4.3	150-240	



5-Cores

Type	Fit for cable(mm ²)	Length(mm)
JSY-1/5.0	10-16	Can be produced according to customer's requirement
JSY-1/5.1	25-50	
JSY-1/5.2	70-120	
JSY-1/5.3	150-240	



Medium Voltage Heat Shrinkable Termination & Straight Joint Accessories

Medium Voltage Heat Shrinkable Termination Accessories

• Heat shrinkable termination & straight joint accessories are suitable for up to 11/20/35kV, insulated with PVC, XLPE and PE polymeric cables.

Feature:

- Reliable stress control.
- Large cross-section range.
- Excellent corrosion resistance.
- UV resistance and weathering resistance.
- Anti-tracking.
- Superior electrical and mechanical properties.
- Easy installation.



Medium Voltage Heat Shrinkable Termination

Medium Voltage Heat Shrinkable Straight Joint

Performance of 11kV Heat Shrinkable Termination & Straight Joint Accessories

Test	Requirement
Power frequency withstand voltage 1 min	45kV, No flashover, no breakdown
Partial discharge	≤10PC at 13kV
Heating cycles in air	22kV. Heating cycle at least 8h, 95°C-100°C at least 2h, natural cooling at least 3h, total 60 heating cycles
Impulse voltage (peak)	105kV, No flashover, no breakdown
Negative DC voltage 15 min	52kV, No flashover, no breakdown
Power frequency withstand voltage 4h	35kV, No flashover, no breakdown

Performance of 20kV Heat Shrinkable Termination & Straight Joint Accessories

Test	Requirement
Power frequency withstand voltage 1 min	75kV, No flashover, no breakdown
Partial discharge	≤10PC at 13kV
Heating cycles in air	22kV. Heating cycle at least 8h, 95°C-100°C at least 2h, natural cooling at least 3h, total 60 heating cycles
Impulse voltage (peak)	105kV, No flashover, no breakdown
Negative DC voltage 15 min	52kV, No flashover, no breakdown
Power frequency withstand voltage 4h	35kV, No flashover, no breakdown

Performance of 35kV Heat Shrinkable Termination & Straight Joint Accessories

Test	Requirement
Power frequency withstand voltage 1 min	105kV, No flashover, no breakdown
Partial discharge	≤10PC at 39kV
Heating cycles in air	65kV. Heating cycle at least 8h, 95°C-100°C at least 2h, natural cooling at least 3h, total 60 heating cycles
Impulse voltage (peak)	250kV, No flashover, no breakdown
Negative DC voltage 15 min	156kV, No flashover, no breakdown
Power frequency withstand voltage 4h	104kV, No flashover, no breakdown

11kV Heat Shrinkable Termination & Straight Joint Accessories For XLPE CABLE

11kV Heat Shrinkable Termination For XLPE CABLE

1-Core indoor

Type	Fit for cable(mm ²)	Length(mm)		
NSY-10/1.1	25-50	650	800	1000
NSY-10/1.2	70-120	650	800	1000
NSY-10/1.3	150-240	650	800	1000
NSY-10/1.4	300-500	650	800	1000

1-Core outdoor

Type	Fit for cable(mm ²)	Length(mm)		
WSY-10/1.1	25-50	650	800	1000
WSY-10/1.2	70-120	650	800	1000
WSY-10/1.3	150-240	650	800	1000
WSY-10/1.4	300-500	650	800	1000

3-Cores indoor

Type	Fit for cable(mm ²)	Length(mm)		
NSY-10/3.1	25-50	650	800	1000
NSY-10/3.2	70-120	650	800	1000
NSY-10/3.3	150-240	650	800	1000
NSY-10/3.4	300-500	650	800	1000

3-Cores outdoor

Type	Fit for cable(mm ²)	Length(mm)		
WSY-10/3.1	25-50	650	800	1000
WSY-10/3.2	70-120	650	800	1000
WSY-10/3.3	150-240	650	800	1000
WSY-10/3.4	300-500	650	800	1000

11kV Heat Shrinkable Straight Joint For XLPE CABLE

1-Core

Type	Fit for cable(mm ²)	Length(mm)		
JSY-10/1.1	25-50	-	-	1000
JSY-10/1.2	70-120	-	-	1000
JSY-10/1.3	150-240	-	-	1000
JSY-10/1.4	300-500	-	-	1000

3-Cores

Type	Fit for cable(mm ²)	Length(mm)		
JSY-10/3.1	25-50	-	-	1000
JSY-10/3.2	70-120	-	-	1000
JSY-10/3.3	150-240	-	-	1000
JSY-10/3.4	300-500	-	-	1000



11kV Heat Shrinkable Termination & Straight Joint Accessories For PILC CABLE

11kV Heat Shrinkable Termination For PILC CABLE

3-Cores indoor

Type	Fit for cable(mm ²)	Length(mm)		
NSZ-10/3.1	25-50	650	800	1000
NSZ-10/3.2	70-120	650	800	1000
NSZ-10/3.3	150-240	650	800	1000



3-Cores outdoor

Type	Fit for cable(mm ²)	Length(mm)		
WSZ-10/3.1	25-50	650	800	1000
WSZ-10/3.2	70-120	650	800	1000
WSZ-10/3.3	150-240	650	800	1000



11kV Heat Shrinkable Straight Joint For PILC CABLE

3-Cores

Type	Fit for cable(mm ²)	Length(mm)		
JSZ-10/3.1	25-50	-	-	1000
JSZ-10/3.2	70-120	-	-	1000
JSZ-10/3.3	150-240	-	-	1000



20 kV Heat Shrinkable Termination & Straight Joint Accessories

20 kV Heat Shrinkable Termination

1-Core indoor

Type	Fit for cable(mm ²)	Length(mm)	
NSY-20/1.1	35-70	800	1000
NSY-20/1.2	95-185	800	1000
NSY-20/1.3	240-400	800	1000



1-Core outdoor

Type	Fit for cable(mm ²)	Length(mm)	
WSY-20/1.1	35-70	800	1000
WSY-20/1.2	95-185	800	1000
WSY-20/1.3	240-400	800	1000



3-Cores indoor

Type	Fit for cable(mm ²)	Length(mm)	
NSY-20/3.1	35-70	800	1000
NSY-20/3.2	95-185	800	1000
NSY-20/3.3	240-400	800	1000



3-Cores outdoor

Type	Fit for cable(mm ²)	Length(mm)	
WSY-20/3.1	35-70	800	1000
WSY-20/3.2	95-185	800	1000
WSY-20/3.3	240-400	800	1000



20 kV Heat Shrinkable Straight Joint

1-Core

Type	Fit for cable(mm ²)	Length(mm)	
JSY-20/1.1	35-70	800	1000
JSY-20/1.2	95-185	800	1000
JSY-20/1.3	240-400	800	1000



3-Cores

Type	Fit for cable(mm ²)	Length(mm)	
JSY-20/3.1	235-70	800	1000
JSY-20/3.2	95-185	800	1000
JSY-20/3.3	240-400	800	1000



35kV Heat Shrinkable Termination & Straight Joint Accessories

35 kV Heat Shrinkable Termination

1-Core indoor

Type	Fit for cable(mm ²)	Length(mm)	
NSY-35/1.1	50-120	800	1000
NSY-35/1.2	150-240	800	1000
NSY-35/1.3	300-500	800	1000



1-Core outdoor

Type	Fit for cable(mm ²)	Length(mm)	
WSY-35/1.1	50-120	800	1000
WSY-35/1.2	150-240	800	1000
WSY-35/1.3	300-500	800	1000



3-Cores indoor

Type	Fit for cable(mm ²)	Length(mm)	
NSY-35/3.1	50-120	800	1000
NSY-35/3.2	150-240	800	1000
NSY-35/3.3	300-500	800	1000



3-Cores outdoor

Type	Fit for cable(mm ²)	Length(mm)	
WSY-35/3.1	50-120	800	1000
WSY-35/3.2	150-240	800	1000
WSY-35/3.3	300-500	800	1000



35 kV Heat Shrinkable Straight Joint

1-Core

Type	Fit for cable(mm ²)	Length(mm)
JSY-35/1.1	50-120	1000
JSY-35/1.2	150-240	1000
JSY-35/1.3	300-500	1000



3-Cores

Type	Fit for cable(mm ²)	Length(mm)
JSY-35/3.1	50-120	1000
JSY-35/3.2	150-240	1000
JSY-35/3.3	300-500	1000



Heat Shrink Protective Tubing

Application

- Used for medium voltage up to 36kV.
- Protection against moisture and pressure.
- Suitable for cable termination and intermediate connecting insulation protection.

Feature

- Hot melting adhesive provides better waterproof.
- Coating type: film coating.
- Excellent corrosion resistance.
- UV resistance and weathering resistance.
- Halogen-free.
- Superior electrical and mechanical properties.
- Shrinkage ratio 3:1.
- Medium wall.



Performance

Test	Test Method	Requirement
Operating temperature	UL 224	-50 to +125 °C
Tensile strength	ASTM D 2671	≥ 14 Mpa
Elongation at break	ASTM D 2671	> 400%
Elongation at break after heat aging	ASTM D 2671 158°C/168hrs	≥ 300%
Longitudinal shrinkage	UL 224	0±5%
Partial wall rate	ASTM D 2671	< 30%
Flame retardancy	VW-1	Pass
Volume resistivity	IEC 93	> 10 ¹⁴ Ω.m
Copper stability	UL224	Pass

Type	Application Diameter Range(mm)	Expanded(mm)		
		D(min)	d(max)	W(min)
HTG-50/18	17-35	50	18	2.2
HTG-66/20	21-45	66	20	2.2
HTG-70/25	24-52	70	25	2.2
HTG-90/30	32-66	90	30	2.5
HTG-105/35	32-66	105	35	2.5
HTG-120/40	38-80	120	40	2.5
HTG-135/45	45-98	135	35	2.5
HTG-150/50	55-112	150	50	3.0

Heat Shrink Insulating Tubing

Application

- Used for medium voltage up to 36kV.
- Protection against moisture and pressure.
- Suitable for cable termination and intermediate connecting insulation protection.

Feature

- Hot melting adhesive provides better waterproof .
- Coating type: film coating.
- Excellent corrosion resistance.
- UV resistance and weathering resistance.
- Halogen-free.
- Superior electrical and mechanical properties.
- Shrinkage ratio 3:1.
- Medium wall.



Performance

Test	Test Method	Requirement
Operating temperature	UL 224	-50 to +125 °C
Tensile strength	ASTM D 2671	≥ 14 Mpa
Elongation at break	ASTM D 2671	> 400%
Elongation at break after heat aging	ASTM D 2671 158°C/168hrs	≥ 300%
Longitudinal shrinkage	UL 224	0±5%
Partial wall rate	ASTM D 2671	< 30%
Flame retardancy	VW-1	Pass
Volume resistivity	IEC 93	> 10 ¹⁴ Ω.m
Copper stability	UL224	Pass

Type	Application Diameter Range(mm)	Expanded(mm)		Recovered(mm)	
		D(min)	d(max)	d(max)	W(min)
RSG-15/5	4.5-8	15	5		1.5
RSG-20/8	6.5-14	20	8		1.8
RSG-28/10	12-18	28	10		1.8
RSG-35/14	17-27	35	14		2.0
WRS10-28/10	6.5-14	28	10		2.2
WRS10-34/14	17-27	34	14		2.3
WRS10-40/18	17-30	40	18		2.5
WRS10-50/20	17-35	50	20		2.5
WRS35-50/20	17-35	50	20		3.0
WRS35-60/22	21-45	60	22		3.0
WRS35-70/25	24-52	70	25		3.0

Heat Shrink Stress Control Tubing

Application

- Used for medium voltage termination and straight joint up to 36kV.
- Effectively disperse electrical stress, control partial discharge.

Feature

- Anti-tracking.
- Superior electrical and mechanical properties .
- Shrinkage ratio 3:1.



Performance

Test	Test Method	Requirement
Operating temperature	UL 224	-50 to +125 °C
Tensile strength	ASTM D 2671	≥ 14 Mpa
Elongation at break	ASTM D 2671	> 400%
Elongation at break after heat aging	ASTM D 2671 158°C/168hrs	≥ 300%
Longitudinal shrinkage	UL 224	0±5%
Partial wall rate	ASTM D 2671	< 30%
Flame retardancy	VW-1	Pass
Volume resistivity	IEC 93	> 10 ¹⁴ Ω.m
Copper stability	UL224	Pass

Type	Application Diameter Range(mm)	Expanded(mm)	Recovered(mm)	
		D(min)	d(max)	W(min)
YRSG10-26/10	12-18	26	10	1.5
YRSG10-34/14	14-21	34	14	1.5
YRSG10-38/18	17-27	38	18	1.5
YRSG10-50/20	23-39	50	20	1.8
YRSG35-50/20	23-39	50	20	2.0
YRSG35-65/25	28-46	65	25	2.0
YRSG35-70/30	33-53	70	30	2.0

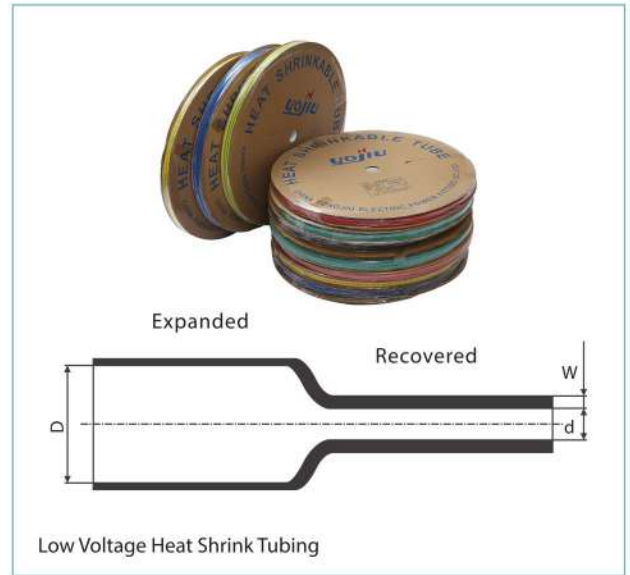
Low Voltage Heat Shrink Tubing

Application

- Used for low voltage.
- Protection against moisture and pressure.
- Suitable for cable termination and intermediate connecting insulation protection.

Feature

- Excellent corrosion resistance.
- UV resistance and weathering resistance.
- Halogen-free.
- Superior electrical and mechanical properties.



Performance

Test	Test Method	Requirement
Operating temperature	UL 224	-50 to +125 °C
Tensile strength	ASTM D 2671	≥ 14 Mpa
Elongation at break	ASTM D 2671	> 400%
Elongation at break after heat aging	ASTM D 2671 158°C/168hrs	≥ 300%
Longitudinal shrinkage	UL 224	0±5%
Partial wall rate	ASTM D 2671	< 30%
Flame retardancy	VW-1	Pass
Volume resistivity	IEC 93	> 10 ¹⁴ Ω.m
Copper stability	UL224	Pass

Type	Expanded ID(mm) ±0.1	Recovered ID(mm)	Recovered Wall Thickness(mm) ±0.05	Length(mm)
ZRG-1.0/0.5	0.4	> 1.4	0.40	400
ZRG-1.5/0.75	0.6	> 1.9	0.40	300
ZRG-2.0/1.0	0.9	> 2.4	0.45	200
ZRG-2.5/1.25	1.1	> 2.9	0.45	200
ZRG-3.0/1.5	1.4	> 3.4	0.45	200
ZRG-3.5/1.75	1.6	> 3.9	0.45	200
ZRG-4.0/2.0	1.8	> 4.4	0.45	100
ZRG-5.0/2.5	2.3	> 5.3	0.50	100
ZRG-6.0/3.0	2.8	> 6.3	0.50	100
ZRG-7.0/3.5	3.3	> 7.4	0.55	100

Low Voltage Heat Shrink Tubing

Type	Expanded ID(mm) ±0.1	Recovered ID(mm)	Recovered Wall Thickness(mm) ±0.05	Length(mm)
ZRG-8.0/40	3.8	> 8.4	0.55	50
ZRG-9.0/45	4.3	> 9.4	0.55	50
ZRG-10.0/5.0	4.8	> 10.4	0.55	50
ZRG-11.0/5.5	5.3	> 11.4	0.60	50
ZRG-12.0/6.0	5.7	> 12.4	0.60	50
ZRG-13.0/6.5	6.2	> 13.4	0.60	50
ZRG-14.0/7.0	6.7	> 14.4	0.60	50
ZRG-15.0/7.5	7.2	> 15.5	0.65	50
ZRG-16.0/8.0	7.7	> 16.5	0.65	25
ZRG-17.0/8.5	8.2	> 17.5	0.7	25
ZRG-18.0/9.0	8.7	> 19.0	0.80	25
ZRG-20.0/10.0	9.7	> 21.0	0.90	25
ZRG-22.0/11.0	10.0	> 22.0	0.90	25
ZRG-25.0/12.5	11.0	> 25.0	0.90	25
ZRG-28.0/14.0	13.0	> 28.0	0.90	25
ZRG-30.0/15.0	14.0	> 30.0	1.00	25
ZRG-35.0/17.5	16.0	> 35.0	1.00	25
ZRG-40.0/20.0	19.0	> 42.0	1.00	25
ZRG-50.0/25.0	24.0	> 50.0	1.00	25
ZRG-60.0/30.0	30.0	> 60.0	1.00	25
ZRG-70.0/35.0	35.0	> 70.0	1.10	25
ZRG-80.0/40.0	40.0	> 80.0	1.10	25
ZRG-90.0/45.0	45.0	> 90.0	1.20	25
ZRG-100.0/50.0	50.0	> 100.0	1.20	25
ZRG-120.0/60.0	60.0	> 120.0	1.20	25
ZRG-150.0/75.0	75.0	> 150.0	1.20	25
ZRG-200.0/100.0	100.0	> 200.0	1.20	25

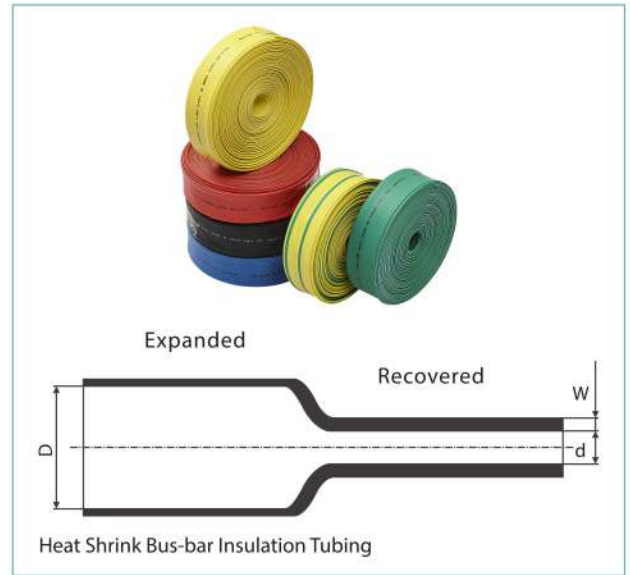
Heat Shrink Bus-bar Insulation Tubing

Application

- Used in medium voltage substations up to 36kV to reduce electric clearance and increase insulation between bus-bars.

Feature

- Anti-tracking.
- Excellent corrosion resistance.
- UV resistance and weathering resistance.
- Superior electrical and mechanical properties Performance.



Performance

Test	Test Method	Requirement
Tensile strength	ASTM D 2671	$\geq 11.8\text{MPa}$
Elongation at break	ASTM D 2671	700%
tensile strength after heat aging	ASTM D 2671/120° C, 168h	$\geq 10\text{MPa}$
Elongation at break after heat aging	ASTM D 2671/120° C, 168h	$\geq 500\%$
Longitudinal shrinkage	ASTM D 2671	0 to-10%
Electrical strength	IEC 243	$\geq 20\text{KV/mm}$
Dielectric constant	IEC 250	3.0 Max
Volume resistivity	IEC 93	1013 Ω .cm
Flame retardancy (oxygen index)	ASTM 4589	≥ 25
Copper corrosive 120° C, 168 hours	ASTM D 2671	Pass
Low temperature brittleness -40° C, 4 hours	ASTM D 2671	No crack
Water absorption rate	ISO 62/23° C, 14 days	$\leq 0.5\%$

10kV Heat Shrink Bus-bar Insulation Tubing Length:1m

Type	Width of Copper bar (mm)	Expanded(mm)	Recovered(mm)	
		D(min)	d(max)	W(min)
MPG-25/10	30	25	10	2.5
MPG-30/12	40	30	12	2.5
MPG-40/16	50	40	16	2.5
MPG-50/20	60	50	20	2.5
MPG-65/25	70	65	25	2.5
MPG-75/30	80	75	30	2.5
MPG-85/35	100	85	35	2.5
MPG-100/40	120	100	40	2.5
MPG-120/50	150	120	50	2.5
MPG-150/60	180	150	60	2.5
MPG-200/60	230	200	60	2.5

10kV Heat Shrink Bus-bar Insulation Tubing Length 25m/roll

Type	Width of Copper bar (mm)	Expanded(mm)	Recovered(mm)	
		D(min)	d(max)	W(min)
MPGL-20/10	25	20	10.0	2
MPGL-25/12.5	30	25	12.5	2
MPGL-30/15	45	30	15.0	2
MPGL-40/20	50	40	20.0	2
MPGL-50/25	60	50	25.0	2
MPGL-60/30	70	60	30.0	2
MPGL-70/35	80	70	35.0	2
MPGL-90/45	100	90	45.0	2
MPGL-100/50	120	100	50.0	2
MPGL-120/60	150	120	60.0	2

35kV Heat Shrink Bus-bar Insulation Tubing Length:1m

Type	Width of Copper bar (mm)	Expanded(mm)	Recovered(mm)	
		D(min)	d(max)	W(min)
MPG-25/10	30	25	10	3
MPG-30/12	40	30	12	3
MPG-40/16	50	40	16	3
MPG-50/20	60	50	20	3
MPG-65/25	70	65	25	3
MPG-75/30	80	75	30	3
MPG-85/35	100	85	35	3
MPG-100/40	120	100	40	3
MPG-120/50	150	120	50	3
MPG-150/60	180	150	60	3
MPG-200/60	230	200	60	3

Heat Shrink Insulation Breakout

Application

- Used for medium voltage up to 36kV.
- Protection against moisture and pressure.
- Suitable for cable termination separation.

Feature

- Hot melting adhesive provides better waterproof.
- Coating type: film coating.
- Excellent corrosion resistance.
- UV resistance.
- Superior waterproof.
- Superior electrical and mechanical properties.
- Easy installation.



Heat Shrink Insulation Breakout

Performance

Test	Test Method	Requirement
Tensile strength	ASTM D 2671	≥ 13 Mpa
Elongation at break	ASTM D 2671	> 300%
Tensile strength after heat aging	ASTM D 2671/120°C, 168h	≥ 10 Mpa
Elongation at break after heat aging	ASTM D 2671/120°C, 168h	≥ 250%
Volume resistivity	IEC 93	> 10 ¹⁴ Ω.m
Dielectrical strength	IEC 243	≥ 15KV/mm
Water absorption rate	ISO 62	≤ 0.1%

Type	D1(mm)		D2(mm)		W(mm)	W1(mm)	L(mm)	L1(mm)
	Expanded ID(min)	Recovered ID(min)	Expanded ID(min)	Recovered ID(min)	Recovered Wall Thickness(min)		Recovered Length(min)	
2-cores								
TZ-2.0	20	14	11.0	3.5	3.0	2.2	110	40
TZ-2.1	25	16	16.0	5.0	3.0	2.2	110	40
TZ-2.2	40	20	25.0	7.5	3.0	2.2	140	50
TZ-2.3	50	35	30.0	12.0	3.5	2.5	140	50
3-cores								
TZ1-3.0	35	18	15.0	4.0	3.0	2.2	135	50
TZ1-3.1	40	20	18.0	5.0	3.0	2.2	135	50
TZ1-3.2	55	26	23.0	6.5	3.0	2.2	155	50
TZ10-3.1	70	29	32.0	7.5	3.0	2.5	190	70
TZ10-3.2	90	44	39.0	12.5	3.0	2.5	190	70
TZ10-3.3	105	49	50.0	14.5	3.5	3.0	210	70
TZ10-3.4	120	68	62.0	22.0	3.5	3.0	210	80
4-cores								
TZ-4.0	35	18	12.5	3.5	3.0	2.2	130	50
TZ-4.1	44	21	17.0	5.0	3.0	2.2	150	60
TZ-4.2	60	29	25.5	7.5	3.0	2.2	165	60
TZ-4.3	71	41	32.0	11.0	3.5	2.5	190	70
TZ-4.4	84	42	36.0	12.0	3.5	2.5	190	70
5-cores								
TZ-5.0	33	21	12.0	3.5	3.0	2.2	125	50
TZ-5.1	51	25	14.0	5.0	3.0	2.2	160	60
TZ-5.2	80	31	25.0	7.5	3.0	2.2	170	70
TZ-5.3	95	47	32.0	11.0	3.5	2.5	180	70

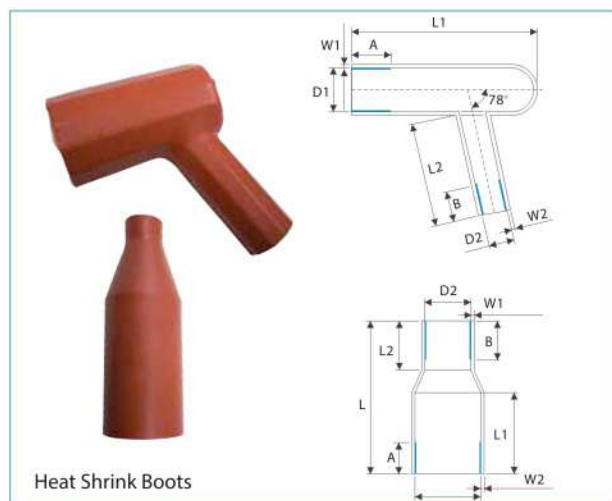
Heat Shrink Boots

Application

- It can be safely used in protecting cable end up to 36kV against flashover, or surges induce during working life in switch gear and transformer boxes.

Feature

- Hot melting adhesive provides better waterproof.
- Coating type: film coating.
- Protect against humidity.
- UV resistance.
- Anti-tracking.
- Flame retardant Operating Temperature: 110°C.



Heat Shrink Boots

Performance

Test	Test Method	Requirement
Tensile strength	ASTM D 2671	≥ 12 Mpa
Elongation at break	ASTM D 2671	> 400%
Tensile strength after heat aging	ASTM D 2671/120°C, 168h	≥ 8.5 Mpa
Elongation at break after heat aging	ASTM D 2671/120°C, 168h	≥ 200%
Volume resistivity	IEC 93	10 ¹³ Ω.cm
Dielectrical strength	IEC 243	≥ 15KV/mm
Flame retardancy (oxygen index)	ASTM 4589	≥ 25
Water absorption rate	ISO 62/23°C, 14 days	≤ 1%

Type	Model number	Expanded(mm)		Recovered(mm)						
		D1(Min)	D2(Min)	D1(Max)	D2(Max)	L1(±10%)	L2(±10%)	L(±10%)	W1(±10%)	W2(±10%)
Right Angle	SHMR-1(80/36-35-18)	80	35	36	18	170	125	-	4.2	3.5
	SHMR-2(80/36-50/18)	80	50	36	18	170	125	-	3.8	3.5
	SHMR-3(95/38-70/28)	95	70	38	28	160	140	-	4.2	4.8
Straight	SHMR-4(80/35-34/20)	80	34	35	20	145	30	220	3.2	3.2
	SHMR-5(80-35/58-20)	80	58	35	20	145	30	220	3.2	3.2

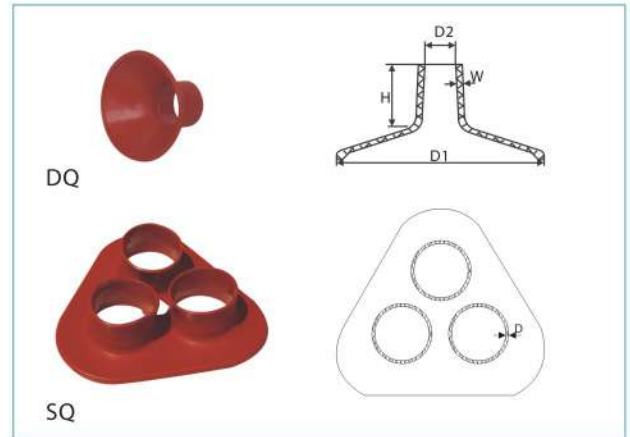
Heat Shrink Skirt

Application

- Used for medium voltage termination up to 36kV.
- Increase creepage distance, scatter rain, for outdoor use only.

Feature

- Anti-tracking.
- Excellent corrosion resistance.
- UV resistance and weathering resistance.
- Superior electrical and mechanical properties.



Performance

Test	Test Method	Requirement
Tensile strength	ASTM D 2671	≥ 13 Mpa
Elongation at break	ASTM D 2671	> 400%
Tensile strength after heat aging	ASTM D 2671/120°C, 168h	≥ 10 Mpa
Elongation at break after heat aging	ASTM D 2671/120°C, 168h	≥ 350%
Volume resistivity	IEC 93	10 ¹³ Ω.cm
Electric constant	IEC 250	3.0 Max
Dielectrical strength	IEC 243	≥ 15KV/mm
Copper corrosive 120° C, 168 hours	ASTM D 2671	Pass
Longitudinal shrinkage	ASTM D 2671	0 to-10%
Water absorption rate	ISO 62	≤ 0.1%
Flame retardancy (oxygen index)	ASTM 4589	≥ 25

Type	Expanded (mm)		Recovered(mm)		
	D1	D2	D2(max)	H	W
DQ1	97	35	15	20	2.5
DQ2	97	40	15	20	2.5
DQ3	110	45	20	20	3.0
DQ4	110	50	20	20	3.0
DQ5	125	70	30	25	4.0

Type	D		W
	Expanded (mm)	Recovered(mm)	Recovered(mm)
SQ1	32	12	3
SQ2	38	15	3
SQ3	45	22	3

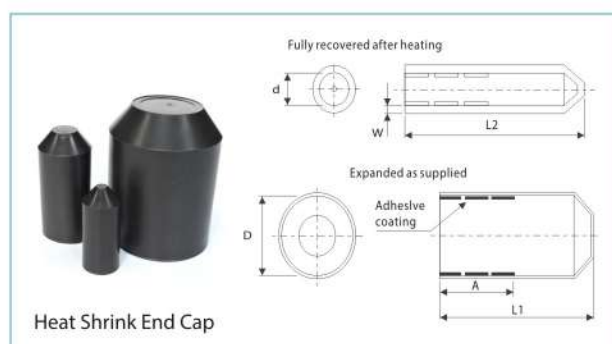
Heat Shrink End Cap

Application

- Used for sealing ends of power cables, lines and pipes.

Feature

- Hot melting adhesive provides better waterproof.
- Coating type: film coating.
- Protect against humidity.
- UV resistance.
- Excellent corrosion resistance.
- Superior mechanical strength.
- Operating Temperature: -40°C to $+110^{\circ}\text{C}$.



Performance

Test	Test Method	Requirement
Tensile strength	ASTM D 2671	>11MPa
Elongation at break	ASTM D 2671	>400%
Elongation at break after heat aging	ASTM D 2671	>300%
Volume resistivity	IEC 93	$10^{13}\Omega\cdot\text{cm}$
Dielectric strength)	IEC 243	>15KV/mm

Type	Application Diameter Range (mm)	Expanded (mm)			Recovered (mm)		
		D(min)	L1(min)	A($\pm 10\%$)	d(max)	L2(min)	W(min)
MRS15/5	6-12	15	40	20	5	40	2.1
MRS22/8	9-18	22	54	30	8	50	2.5
MRS35/15	16-28	35	82	35	15	70	2.8
MRS55/25	28-44	55	108	50	25	85	3.2
MRS75/35	40-67	75	120	55	35	95	3.2
MRS30/60	65-120	130	150	70	60	105	3.4

Low Voltage Cast Resin Cable Accessory Kit

Application

- low voltage cast resin cable accessory kit is used for 0.6/1.0(1.2)kV, armoured and unarmoured cables insulated with PVC, XLPE and PE.
- It is widely used indoor, outdoor and underground.

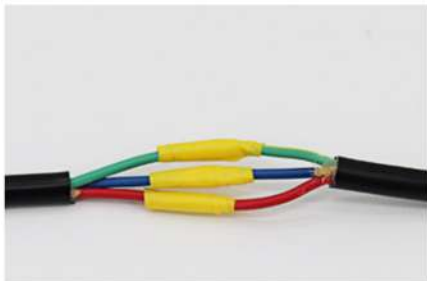
Feature

- Compact dimensions.
- High quality transparent plastic shell.
- Excellent corrosion resistance.
- UV resistance and weathering resistance.
- Superior electrical and mechanical properties.
- Easy installation.
- Safe component and no toxic.



Item No.	SLZ-1	SLZ-2	SLZ-3	SLZ-4	SLZ-5	SLZ-6	
Cable Diameter(mm)	1-17	8-26	14-32	23-39	28-50	45-70	
Armour Cable (mm ²)	1×1.5, 3×10	3×10, 4×10	3×16, 4×16	3×50, 4×35	3×95, 4×70	3×240, 4×240	
Unarmour Cable (mm ²)	1×1.5, 3×16	3×16, 4×16	3×35, 4×35	3×50, 4×50	3×95, 4×95	3×240, 4×240	
QTY	Transparent plastic shell(mm)	150×31×35	185×40×45	270×55×55	355×65×60	400×90×75	510×160×120
	Cast Resin(g)	80	160	350	650	1250	5000
	Insulating self-adhesive tape(pc)	1	1	1	1	1	1
	Insulating Tape(pc)	1	1	1	1	1	1
	Rubber Foaming Strip(pc)	2	2	2	2	2	2
	Clean Bag(pc)	1	1	1	1	1	1

Installation Process



1. Use the insulating tape for preliminary insulation treatment after connecting the cable.



2. Remove the double-sided tape from the rubber foaming strip.



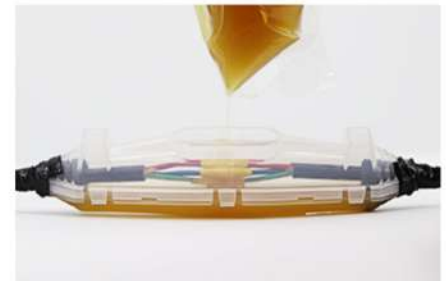
3. select appropriate position for sawing based on requirement.



4. Wrap the rubber foaming strip around the two ends of the cable.



5. Stretch the insulating self-adhesive tape by 2-2.5 times at both ends of the plastic shell.



6. Mix the cast resin according to the instructions, straighten the plastic shell, introduce the cast resin and cover it.

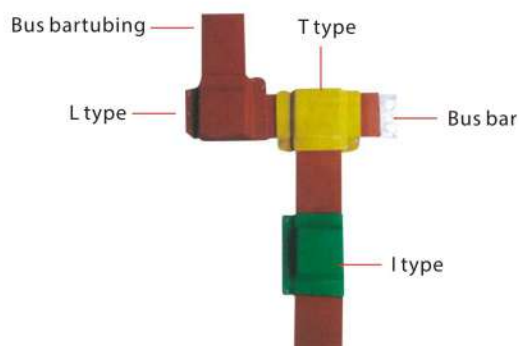
Heat Shrink Bus-bar Spiced Joint Protective Cover

Application

- Used in power plant, substation bus-row junction insulation protection.

Feature

- Excellent corrosion resistance.
- UV resistance and weathering resistance.
- Superior electrical and mechanical properties.



Heat Shrink Bus-bar Spiced Joint Protective Cover

Performance

Test	Test Method	Requirement
Operating temperature	IEC 216	-50 to 125°C
Hardness (Shore A)		< 85
Tensile strength	ASTM D 2671	12MPa
Elongation at break	ASTM D 2671	> 300%
Volume resistivity	IEC 93	> 10 ¹⁴ Ω.m
Breakdown strength	IEC 243	≥ 20KV/mm
Water absorption rate	ISO 62	≤ 0.1%
Flame retardancy	VW-1	Pass

Type	Fit for bus-bar width	Note
MPH-1 □ □	20	Single Bus-bar T type L type I type
MPH-1 □ □	30	
MPH-1 □ □	40	
MPH-1 □ □	50	
MPH-1 □ □	60	
MPH-1 □ □	70	
MPH-1 □ □	80	
MPH-1 □ □	100	
MPH-1 □ □	120	

Type	Fit for bus-bar width	Note
MPH-10 □ □	20	Single Bus-bar and Double Bus-bar T type L type I type
MPH-10 □ □	30	
MPH-10 □ □	40	
MPH-10 □ □	50	
MPH-10 □ □	60	
MPH-10 □ □	70	
MPH-10 □ □	80	
MPH-10 □ □	100	
MPH-10 □ □	120	

Type	Fit for bus-bar width	Note
MPH-25 □ □	20	Single Bus-bar and Double Bus-bar T type L type I type
MPH-25 □ □	30	
MPH-25 □ □	40	
MPH-25 □ □	50	
MPH-25 □ □	60	
MPH-25 □ □	70	
MPH-25 □ □	80	
MPH-25 □ □	100	
MPH-25 □ □	120	

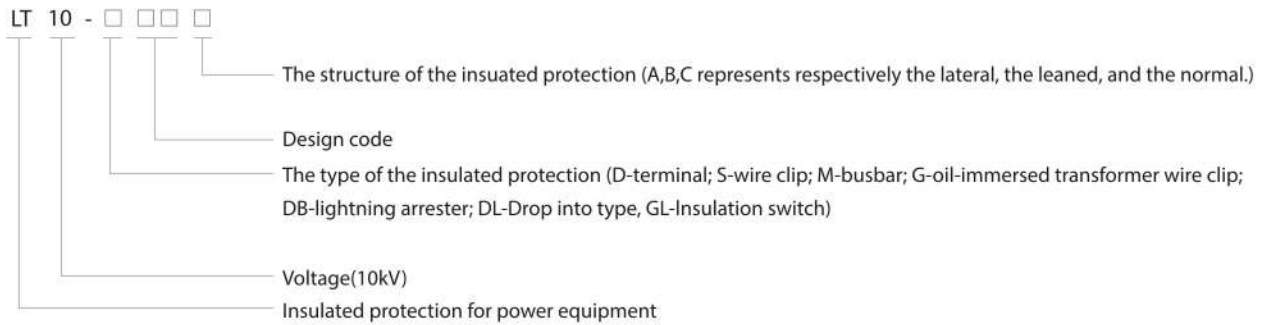
Insulated Protection of Power Equipment

Insulated protection for power equipment is the essential installed product of the power equipment connect terminate of the transformer and lightning arrester and the outside switchgear.

It is effective to protect the original bare power equipment connect terminate from the power turnoff and electric shock, which is caused by the reasons such as personal contact, stolen power, small animal or other contact, moist flash salt fog and chemical corruption.



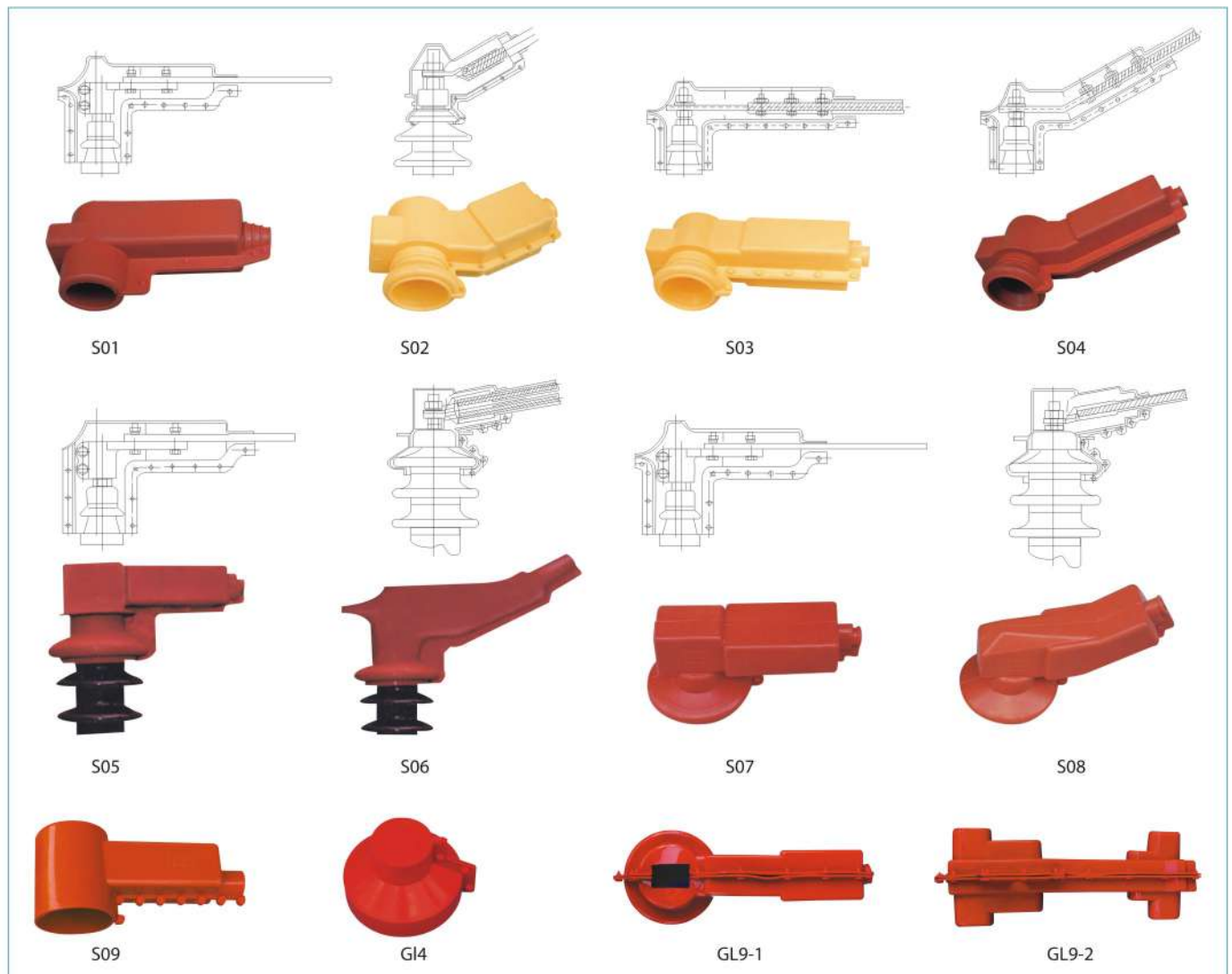
Model & Implication Insulated protection of power equipment



Code	Product of the assembled fitting	Mode	Connecting type	Numbers of the conductork
DB01	Zinc Oxide Lightning Arrester	LT10-DB01A	The lateral	One piece
DB02	Zinc Oxide Lightning Arrester	LT10-DB02B	The normal	One piece
DB03	Valve Type Lightning Arrester	LT10-DB03C	The normal	One piece
DB04	Zinc Oxide Lightning Arrester	LT10-DB04B	The leaned	One piece
M01	Bus-bar	LT10-M01A	The lateral	Bus-bar Specification
M02	Bus-bar	LT10-M02B	The leaned	Bus-bar Specification

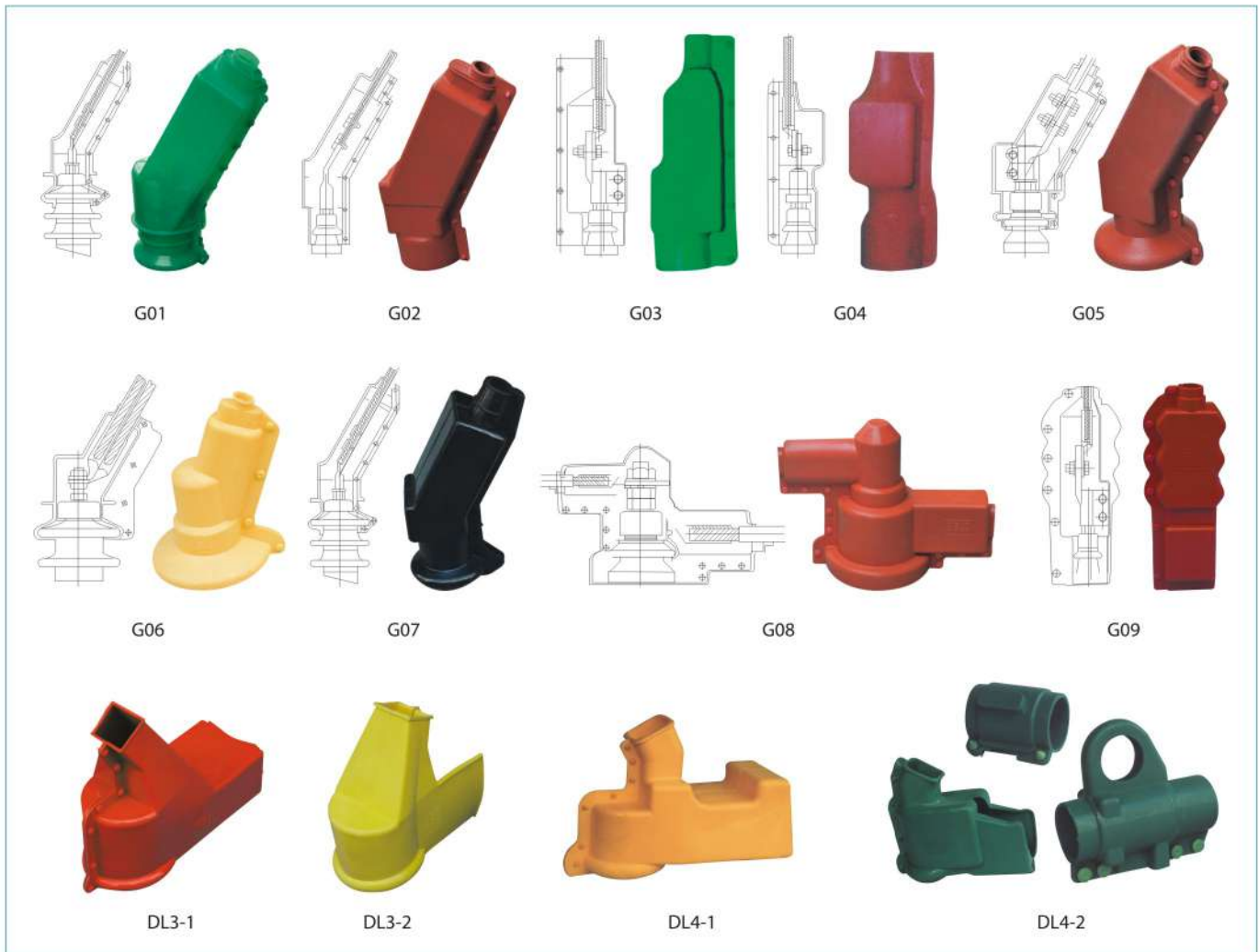
Note: Special specifications can be produced according to the requirements of clients.

Insulated Protection of Power Equipment



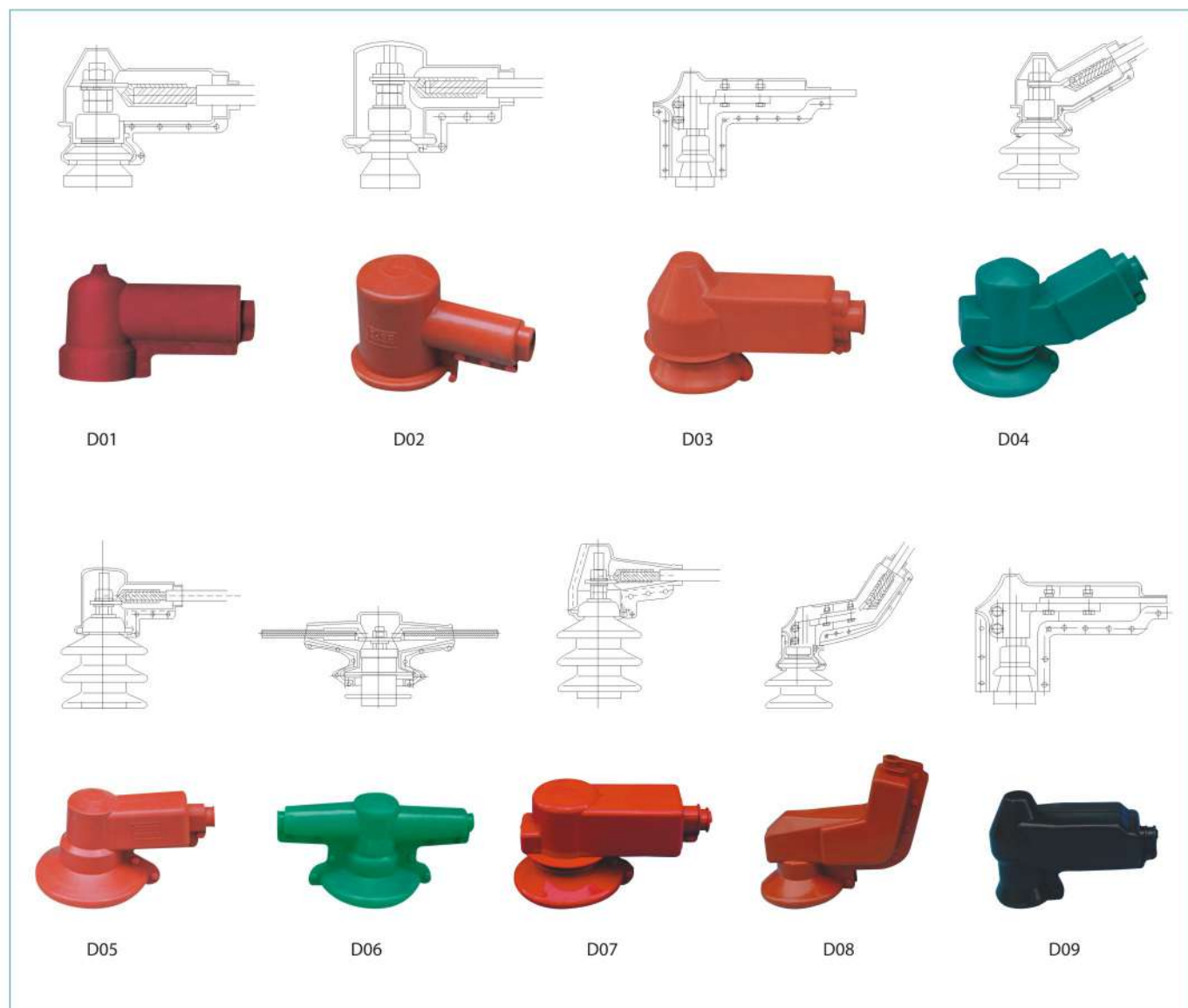
Code	Product of the assembled fitting	Mode	Connecting type	Numbers of the conductork
S01	No. 1,2 Equipment clamp 0°	LT10-S01A	The lateral	1×35mm ² -240mm ²
S02	No. 1,2 Equipment clamp 30°	LT10-S02B	The leaned	1×35mm ² -240mm ²
S03	No. 3,4 Equipment clamp 0°	LT10-S03A	The lateral	1×35mm ² -240mm ²
S04	No. 3,4 Equipment clamp 30°	LT10-S04B	The leaned	1×35mm ² -240mm ²
S05	No. 3,4 Equipment clamp 0°	LT10-S05A	The lateral	1×35mm ² -240mm ²
S06	No. 3,4 Equipment clamp 30°	LT10-S06B	The leaned	1×35mm ² -240mm ²
S07	No. 3,4 Equipment clamp 0°	LT10-S07A	The lateral	1×35mm ² -240mm ²
S08	No. 3,4 Equipment clamp 30°	LT10-S08B	The leaned	1×35mm ² -240mm ²
S09	No. 3,4 Equipment clamp 0°	LT10-S09A	The lateral	1×35mm ² -240mm ²
GL4	Insulation Switch	LT10-GL4A	The lateral	1×35mm ² -240mm ²
GL9-1	Insulation Switch	LT10-GL9-1A	The lateral	1×35mm ² -240mm ²
GL9-2	Insulation Switch	LT10-GL9-2A	The lateral	1×35mm ² -240mm ²

Insulated Protection of Power Equipment



Code	Product of the assembled fitting	Mode	Connecting type	Numbers of the conductork
G01	No. 3,4 Equipment clamp 90°	LT10-G01B	The leaned	1×35mm ² -240mm ²
G02	No. 3,4 Equipment clamp 90°	LT10-G02B	The leaned	1×35mm ² -240mm ²
G03	Oil-immersed transformer clamp of one hole	LT10-G03C	The normal	1×35mm ² -240mm ²
G04	Oil-immersed transformer clamp of M16 hole or less	LT10-G04C	The normal	1×35mm ² -240mm ²
G05	No. 3,4 Equipment clamp 90°	LT10-G05B	The leaned	1×35mm ² -240mm ²
G06	No. 1,2 Equipment clamp 90°	LT10-G06B	The leaned	1×35mm ² -240mm ²
G07	No. 3,4 Equipment clamp 90°	LT10-G07B	The leaned	1×35mm ² -240mm ²
G08	Three poles of measuring box	LT10-G08A	The lateral	1×35mm ² -240mm ²
G09	No. 3,4 Equipment clamp 0°	LT10-G09C	The normal	1×35mm ² -240mm ²
DL3-1	Cut-out Switch	LT10-GL3-1A	The lateral	1×35mm ² -240mm ²
DL3-2	Cut-out Switch	LT10-GL3-2B	The lateral	1×35mm ² -240mm ²
DL4-1	Cut-out Switch	LT10-GL4-1A	The lateral	1×35mm ² -240mm ²
DL4-2	Cut-out Switch	LT10-GL4-2B	The lateral	1×35mm ² -240mm ²

Insulated Protection of Power Equipment



Code	Product of the assembled fitting	Mode	Connecting type	Numbers of the conductork
D01	Connectiing Terminal	LT10-D01A	The lateral	1×35mm ² -240mm ²
D02	Connectiing Terminal	LT10-D02A	The lateral	1×35mm ² -240mm ²
D03	Connectiing Terminal	LT10-D03A	The lateral	1×35mm ² -240mm ²
D04	Connectiing Terminal	LT10-D04B	The leaned	1×35mm ² -240mm ²
D05	Connectiing Terminal	LT10-D05A	The lateral	1×35mm ² -240mm ²
D06	Connectiing Terminal	LT10-D06A	The lateral	1×35mm ² -240mm ²
D07	Connectiing Terminal	LT10-D07A	The lateral	1×35mm ² -240mm ²
D08	Connectiing Terminal	LT10-D08B	The leaned	1×35mm ² -240mm ²
D09	Connectiing Terminal	LT10-D09A	The lateral	1×35mm ² -240mm ²

Silicon Rubber Power Accessories

For medium/high voltage cable installations where “hot-working” is not permitted due to the presence of flammable gases in potentially explosive atmospheres cold shrink terminations can be supplied which do not require naked flame or heat source to install.



Silicon Rubber Power Accessories

Performance of 1kV Silicon Rubber Power Accessories

Test	Requirement
Thermal stability	10kA, two time/second, All parts shall be free of deformation, damage and welding
Heating cycles in air	1.5kV.Heating cycle at least 8h, 95°C-100°C at least 2h, natural cooling at least 3h, total 60 heating cycles
AC voltage withstand 1min	4kV,No flashover, no breakdown
DC voltage test 5min Negative	15kV,No flashover, no breakdown
Impluse voltage (peak)	8kV,No flashover, no breakdown

Performance of 15kV Silicon Rubber Power Accessories

Test	Requirement
Indoor moisture	11kV,300h,No flashover, no breakdown
Outdoor salt fog	11kV,1000h,No flashover, no breakdown
Partial discharge	≤10PC at 15kV
Heating cycles in air	22kV.Heating cycle at least 8h, 95°C-100°C at least 2h, natural cooling at least 3h, total 60 heating cycles
AC voltage withstand 1min	35kV,No flashover, no breakdown
DC voltage withstand 15min	35kV,No flashover, no breakdown
AC voltage withstand 5min	37kV,No flashover, no breakdown
Impluse voltage (peak)	95kV,No flashover, no breakdown

Performance of 35kV Silicon Rubber Power Accessories

Test	Requirement
Indoor moisture	32.5kV,300h,No flashover, no breakdown
Outdoor salt fog	32.5kV,1000h,No flashover, no breakdown
Partial discharge	≤10PC at 15kV
Heating cycles in air	65kV.Heating cycle at least 8h, 95°C-100°C at least 2h, natural cooling at least 3h, total 60 heating cycles
AC voltage withstand 1min	104kV,No flashover, no breakdown
DC voltage withstand 15min	104kV,No flashover, no breakdown
AC voltage withstand 5min	117kV,No flashover, no breakdown
Impluse voltage (peak)	200kV,No flashover, no breakdown

1kV Silicon Rubber Termination

1-Core

Type	Fit for cable(mm ²)
LS-1/1.0	10-16
LS-1/1.1	25-50
LS-1/1.2	70-120
LS-1/1.3	150-240
LS-1/1.4	300-400



2-Cores

Type	Fit for cable(mm ²)
LS-1/2.0	10-16
LS-1/2.1	25-50
LS-1/2.2	70-120
LS-1/2.3	150-240
LS-1/2.4	300-400



3-Cores

Type	Fit for cable(mm ²)
LS-1/3.0	10-16
LS-1/3.1	25-50
LS-1/3.2	70-120
LS-1/3.3	150-240
LS-1/3.4	300-400



4-Cores

Type	Fit for cable(mm ²)
LS-1/4.0	10-16
LS-1/4.1	25-50
LS-1/4.2	70-120
LS-1/4.3	150-240
LS-1/4.4	300-400



5-Cores

Type	Fit for cable(mm ²)
LS-1/5.0	10-16
LS-1/5.1	25-50
LS-1/5.2	70-120
LS-1/5.3	150-240
LS-1/5.4	300-400



1kV Silicon Rubber Straight Joint

1-Core

Type	Fit for cable(mm ²)
JLS-1/1.0	10-16
JLS-1/1.1	25-50
JLS-1/1.2	70-120
JLS-1/1.3	150-240
JLS-1/1.4	300-400



2-Cores

Type	Fit for cable(mm ²)
JLS-1/2.0	10-16
JLS-1/2.1	25-50
JLS-1/2.2	70-120
JLS-1/2.3	150-240
JLS-1/2.4	300-400



3-Cores

Type	Fit for cable(mm ²)
JLS-1/3.0	10-16
JLS-1/3.1	25-50
JLS-1/3.2	70-120
JLS-1/3.3	150-240
JLS-1/3.4	300-400



4-Cores

Type	Fit for cable(mm ²)
JLS-1/4.0	10-16
JLS-1/4.1	25-50
JLS-1/4.2	70-120
JLS-1/4.3	150-240
JLS-1/4.4	300-400



5-Cores

Type	Fit for cable(mm ²)
JLS-1/5.0	10-16
JLS-1/5.1	25-50
JLS-1/5.2	70-120
JLS-1/5.3	150-240
JLS-1/5.4	300-400



15kV Silicon Rubber Termination

1-core indoor

Type	Fit for cable(mm ²)
NLS-15/1.1	25-50
NLS-15/1.2	70-120
NLS-15/1.3	150-240
NLS-15/1.4	300-400



1-core outdoor

Type	Fit for cable(mm ²)
WLS-15/1.1	25-50
WLS-15/1.2	70-120
WLS-15/1.3	150-240
WLS-15/1.4	300-500



3-cores indoor

Type	Fit for cable(mm ²)
NLS-15/3.1	25-50
NLS-15/3.2	70-120
NLS-15/3.3	150-240
NLS-15/3.4	300-500



3-cores outdoor

Type	Fit for cable(mm ²)
WLS-15/3.1	25-50
WLS-15/3.2	70-120
WLS-15/3.3	150-240
WLS-15/3.4	300-500



15kV Silicon Rubber Straight Joint

1-core

Type	Fit for cable(mm ²)
JLS-15/1.1	25-50
JLS-15/1.2	70-120
JLS-15/1.3	150-240
JLS-15/1.4	300-500



3-cores

Type	Fit for cable(mm ²)
JLS-15/3.1	25-50
JLS-15/3.2	70-120
JLS-15/3.3	150-240
JLS-15/3.4	300-500



35kV Silicon Rubber Termination

1-core indoor

Type	Fit for cable(mm ²)
NLS-35/1.1	50-95
NLS-35/1.2	120-185
NLS-35/1.3	240-400
NLS-35/1.4	500-630



1-core outdoor

Type	Fit for cable(mm ²)
WLS-35/1.1	50-95
WLS-35/1.2	120-185
WLS-35/1.3	240-400
WLS-35/1.4	500-630



3-cores indoor

Type	Fit for cable(mm ²)
NLS-35/3.1	50-95
NLS-35/3.2	120-185
NLS-35/3.3	240-400
NLS-35/3.4	500-630



3-cores outdoor

Type	Fit for cable(mm ²)
WLS-3.5/3.1	50-95
WLS-3.5/3.2	120-185
WLS-3.5/3.3	240-400
WLS-3.5/3.4	500-630



35kV Silicon Rubber Straight Joint

1-core

Type	Fit for cable(mm ²)
JLS-35/1.1	50-95
JLS-35/1.2	120-185
JLS-35/1.3	240-400
JLS-35/1.4	500-630



3-cores

Type	Fit for cable(mm ²)
JLS-35/3.1	50-95
JLS-35/3.2	120-185
JLS-35/3.3	240-400
JLS-35/3.4	500-630



Lined paper area consisting of 20 horizontal lines for writing.



Yongjiu Electric Power Fitting Co.,Ltd.

Add:Jiaxi Industrial Zone, Liushi Town, Yueqing City, Zhejiang Province, China

Tel:+86-577-61751023 Fax:+86-577-61750003

E-mail:yojiu@yojiu.com Web:www.yojiu.com

Learn More
Information



SGS

CE

