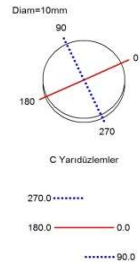
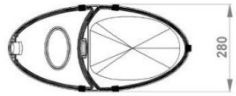
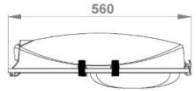
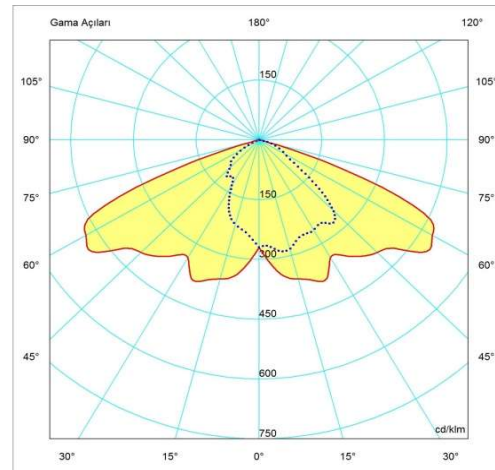


HP SERIES ROAD LIGHTING FIXTURES DATASHEET

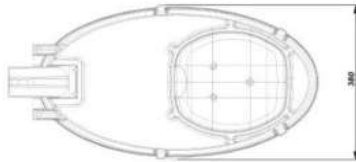
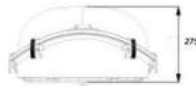
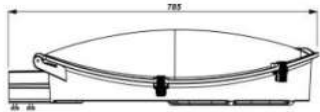


Akı: 24744.00 lm
 Maksimum: 527.49 cd/klm
 Pozisyon: C=15.00 G=65.00
 Verim: 99.98%
 Tarih: 26-10-2015
 270-90 düzlemi üzerinde simetri
 HP 70 W



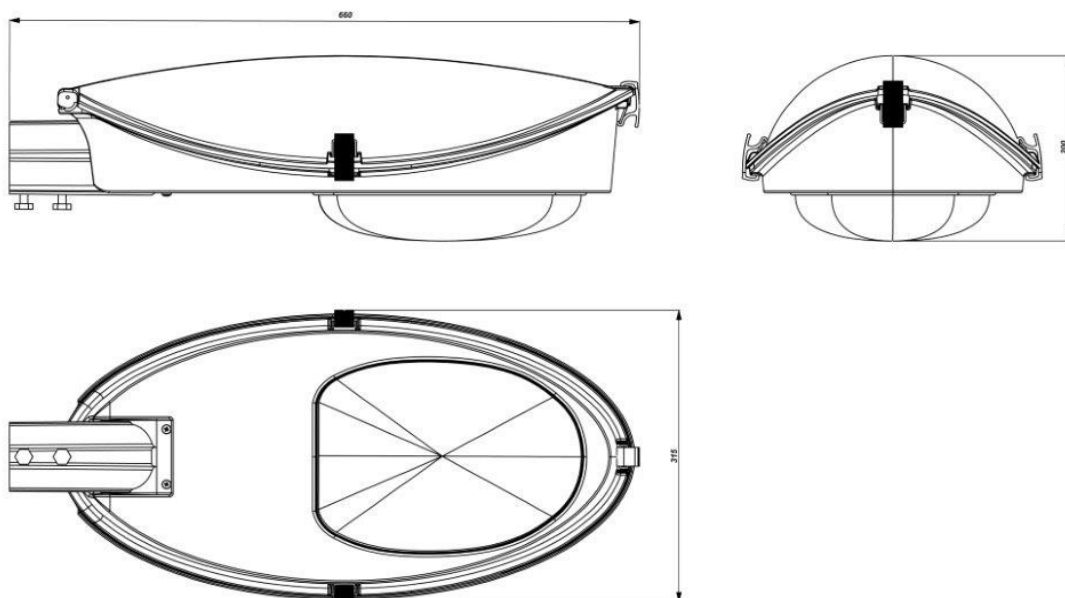
Fixture Standards	EN 60598-1 EN 60598-2-3
Fixture Type	HP 50 W
Declaration and marking	TSE / CE
Body	Polymer - CTP
Head	E - 27
Gasket	Refractory solid
Glass	Polycarbonate
Console	φ42
Clip	Anodized Aluminum
Reflector	Leaf

TP MAX SERIES ROAD LIGHTING FIXTURES DATASHEET



Fixture Standards	EN 60598-1 EN 60598-2-3
Body	Polymer - CTP
Ballast	EN 61347-2-9 EN 60923
Heard	E - 40
Gasket	Refractory solid
Glass	Curved polycarbonate
Console	φ42/ φ60 Aluminum
Clip	Anodized Aluminum
Reflector	Metallised Aluminum
Fixture Size	A) 785 mm B) 380 mm C) 275mm
Capacitor	45 μf
Internal temperature	55
Durability	IK08
Light efficiency	%77,5

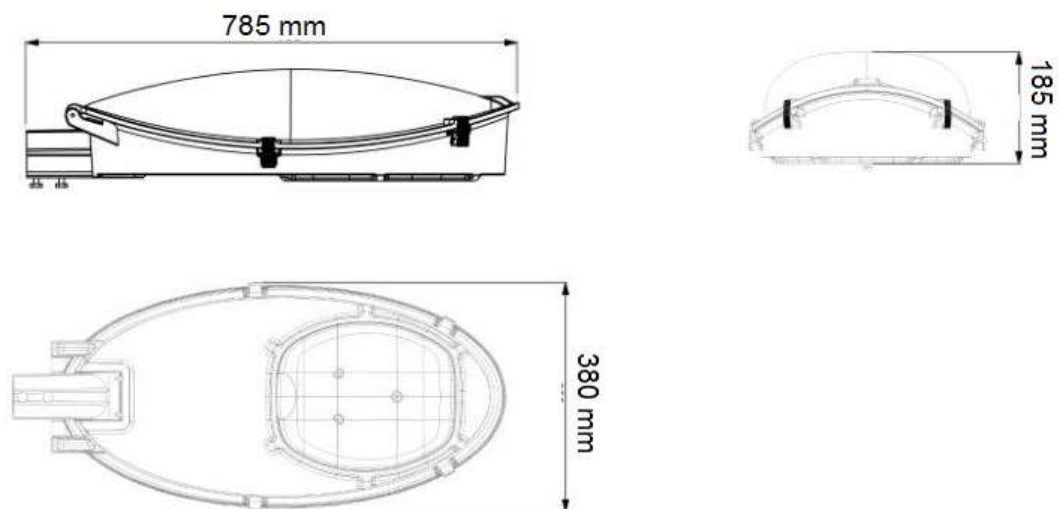
TP SERIES ROAD LIGHTING FIXTURES DATASHEET



Fixture Standards	EN 60598-1 EN 60598-2-3
Declaration and marking	TSE / CE
Body	Polymer - CTP
Hard	E - 40
Gasket	Refractory solid
Glass	Curved polycarbonate
Console	$\phi 42 / \phi 60$ Aluminum
Clip	Anodized Aluminum
Reflector	Metallised Aluminum

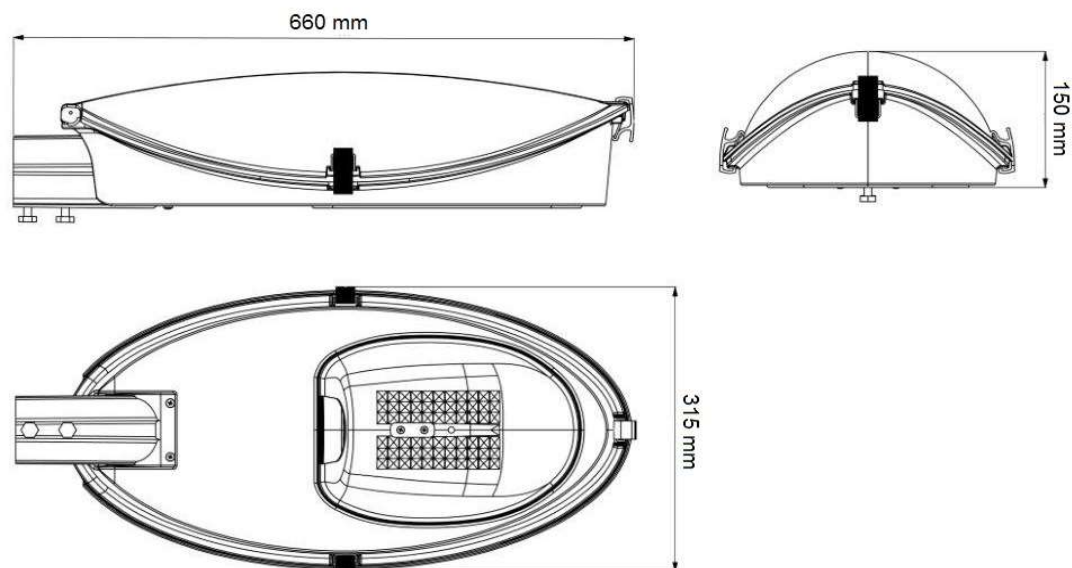
TRY
POINT

TS MAX SERIES ROAD LIGHTING FIXTURES DATASHEET



Fixture Standards	EN 60598-1 EN 60598-2-3
Declaration and marking	TSE / CE
Body	Polymer - CTP
Heard	E - 40
Gasket	Refractory solid
Glass	Tempered flat
Console	φ42/ φ60 Aluminum
Clip	Anodized Aluminum
Reflector	Metallised Aluminum

TS SERIES ROAD LIGHTING FIXTURES DATASHEET



Fixture Standards	EN 60598-1 EN 60598-2-3
Declaration and marking	TSE / CE
Body	Polymer - CTP
Beam	E - 40
Gasket	Refractory solid
Glass	Tempered flat
Console	φ 42/ φ 60 Aluminum
Clip	Anodized Aluminum
Reflector	Metallised Aluminum