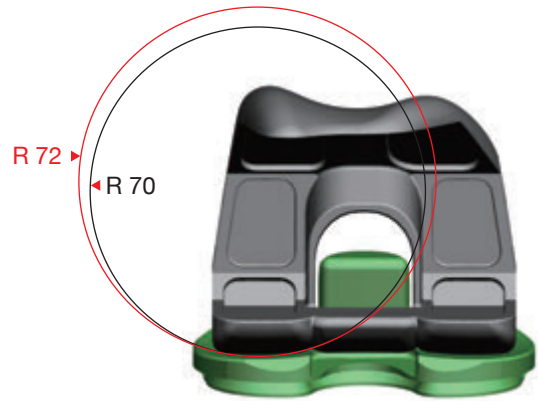


U2 *Knee* PS CR  
Knee  
System



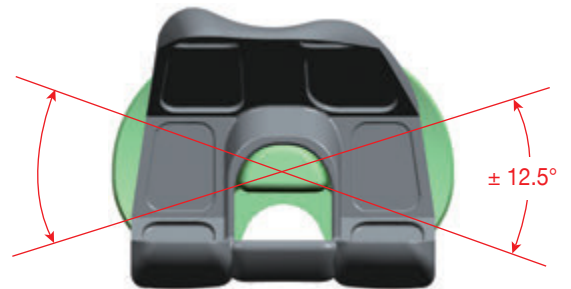
## Femoral / Tibial Contact

The large 70 / 72 mm consistent radii in the coronal plane provide optimal contact area in the femorotibial articulation and reduce the contact stress of XPE and UHMWPE insert.



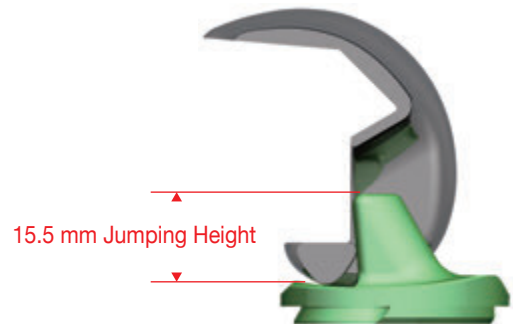
## Enhanced Axial Rotation

A matched “round to round” spine and box contact mechanism avoids corner impingement while rotating. The  $\pm 12.5^\circ$  I / E rotation conforms to the natural conditions.



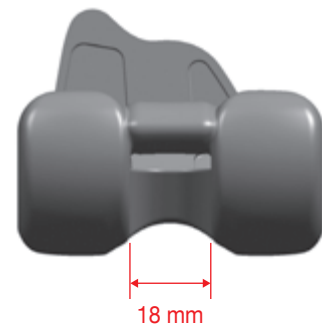
## Jumping Distance Safety

A refined spine and cam mechanism minimizes the risk of dislocation at maximum ROM.



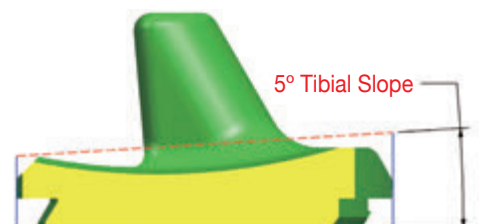
## PS Notch Width Consistency

The consistent 18 mm intercondylar width provides full interchangeability between femoral and tibial sizes.

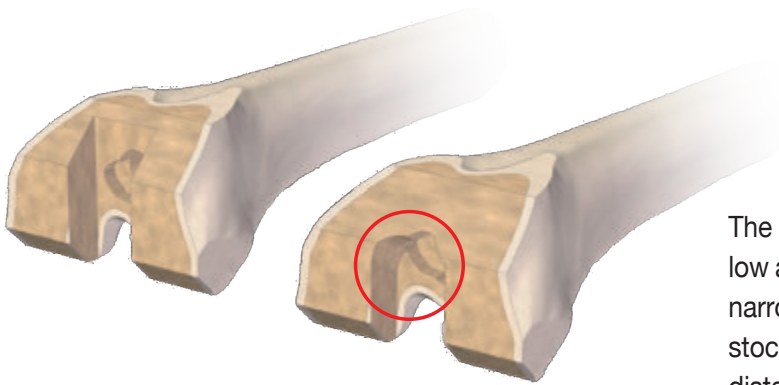


## Tibial Insert Design

The built-in  $5^\circ$  posterior slope of the insert enhances the ROM and restores the natural morphology of tibial plateau.

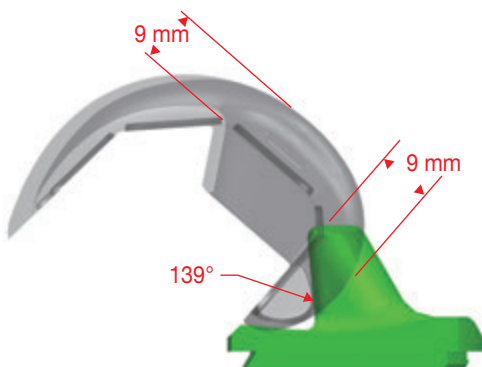
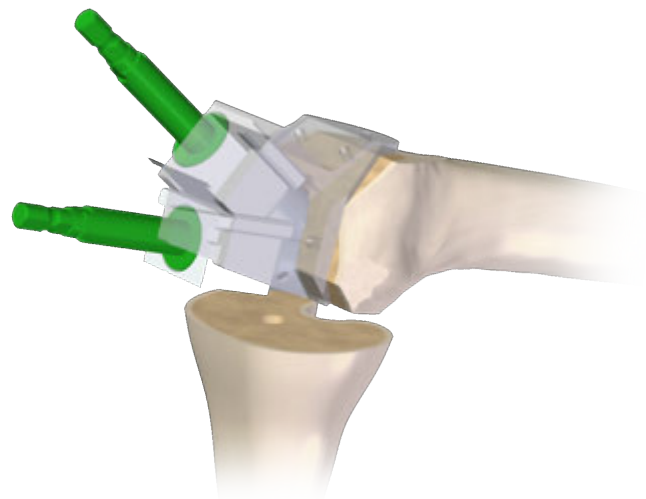


# The Spirit of U2 Knee - Preciseness, Safety and Durability



The intercondylar removal volume of U2 PS knee is as low as 5.7 cm<sup>3</sup> (size 6). The 30% reduced volume and the narrow 18 mm intercondylar width preserve the bone stock. This design also prevents from the periprosthetic distal condyle fracture.

To prepare the precise box space, the intercondylar notch is made by reaming instead of cutting. The stopper on the reamer minimizes the risk of tibial damage.



U2 knee achieves 139° ROM with resection thickness of 9 mm in distal and posterior condyles. The ROM fulfills daily activities of patients with high standard of motion safety.

# PS

## Femoral Component

CoCrMo alloy, 7 sizes

Size	1	2	3	4	5	6	*7
AP(mm)	52	56	60	64	68	72	76
ML(mm)	56	60	64	68	72	76	80

\* PS Only

## Tibial Insert

UHMWPE & XPE

5 thicknesses (9,11,13,15,18 mm)

## Tibial Baseplate

Titanium alloy, 6 sizes

Size	1	2	3	4	5	6
AP(mm)	42	44.5	47	49.5	52.5	55.5
ML(mm)	63	66	69	72	76	80





# CR

# XPE System

## Patellar Component

UHMWPE & XPE

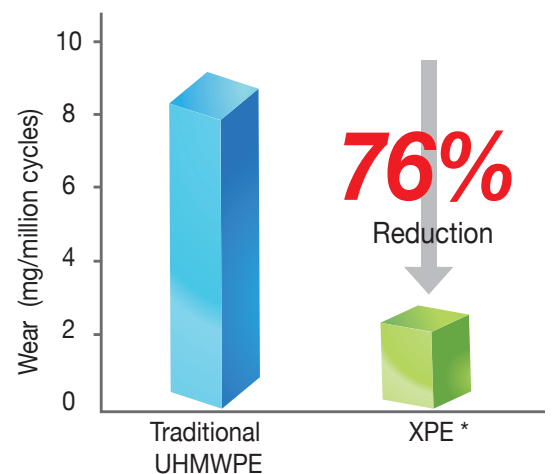
Onset, 3 pegs, 7 sizes

Size	XS	S	M	L	XL	2XL	3XL
Diameter(mm)	26	29	32	35	38	41	44
Thickness(mm)	7	8	8.5	9	9.5	10	10.5

Inset, 1 peg, 4 sizes

Size	S	M	L	XL
Diameter(mm)	22	25	28	32
Thickness(mm)	8	10	10	10

Wear Resistance of XPE versus Traditional UHMWPE



\* Report Number: UOC-RD-TR-10028



**UOC USA Inc.**

20 Fairbanks, Suite 173  
Irvine, CA 92618  
Tel: (949) 328-3366  
Fax: (949) 328-3367

For our valued distribution partners, you can reach our customer service associates at [customerservice@uocusa.com](mailto:customerservice@uocusa.com)

For assistance on general and/or product related inquiries, please email us at [sales@uocusa.com](mailto:sales@uocusa.com)



Please refer to the product-specific package inserts for important information, including indications, contraindications, warnings, precautions, and potential adverse effects.

All Rights Reserved, © 2013 United Orthopedic Corp.  
[www.uocusa.com](http://www.uocusa.com)

0188-B-02-02-US