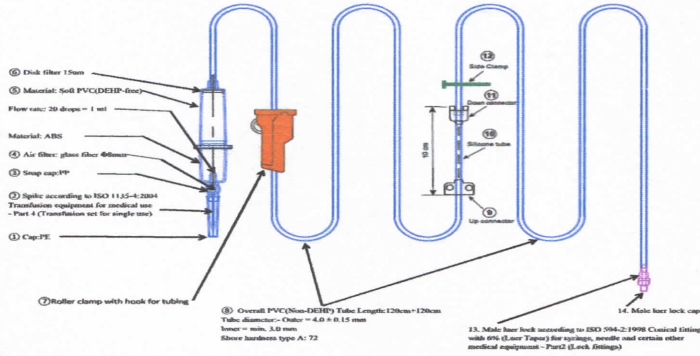


Jiangsu Kezhi Medical Technology Co.,Ltd

Product Technical Specification

Code No.	IVP-042	Date	25th,Oct,2019
Product Name	Infusomat Space IV line,DEHP free	Spec	3.0X4.0X2500MM(ID*OD*L)
Manufacturer	Jiangsu Kezhi Medical Technology Co.,Ltd	EU representative	Shanghai International Holding Corp.Gmbh(Europe)
Clean Room Class	100000	Production/Test Standard	ISO8536-4:2004
EC MDD NO	G2 17 09 99455 002	ISO 13485 No	Q6 1709 99455 001
EC Notified Body	TÜV SÜD	EC Valid Until	2023/Feb/8

Drawing



Components

SN	Name	Spec	Parts	Color
1	Spike Cap	PE	1	Semi-transparent
2	Spike	ABS	1	Transparent
3	Air Vent	Snap PP	1	Green
4	Air filter	Glass Fiber, Φ8mm	1	White
5	Chamber	PVC Without DEHP	1	Transparent
6	Disc Filter	15um Nylon+ABS	1	White+Transparent
7	Safety Roller clamp	ABS	2	Orange+White roller
8	Tube	PVC without DEHP,High elastic,Shore hardness 72A(+/- 2),foggy.Length:1200+100(Silicon)+1200 mmLength tolerance±20MM,ID:3.0(± 0.05)mm,OD:4.0(±0.15)mm	2	Foggy
9	Up connector	ABS	1	White
10	Silicon Tube	4.1*6*100mm	1	Foggy
11	Down connector	ABS	1	White
12	Side Clamp	ABS 4.0MM	1	Green
13	Male Luer lock	ABS,4.0MM	1	Transparent
14	Cap for MLL	PE	1	Semi-transparent

Packing Details

Primary Pouch	70g blister Pouch, Size:270*160mm(L*W),1PC/Pouch
Carton	100PCS/CTN,SIZE:460*230*340mm(L*W*H)
Attention	1.Blank tape and packing strap without printing to seal the carton.

File by : Wendy

Audit : Anna

