

CERTIFICATE

No.: TM 62000921 003



Licence holder

Company Sporttehnika LTD
Ushinskogo 24
14014 Chernihov
Ukraine

Manufacturing Plant

Company Sporttehnika LTD
Ushinskogo 24
14014 Chernihov
Ukraine

Project number

2622357 001

Our reference

84936394

The period of validity

from 2018-09-14 to 2021-09-13

Scope of evaluation

EN 16630:2015

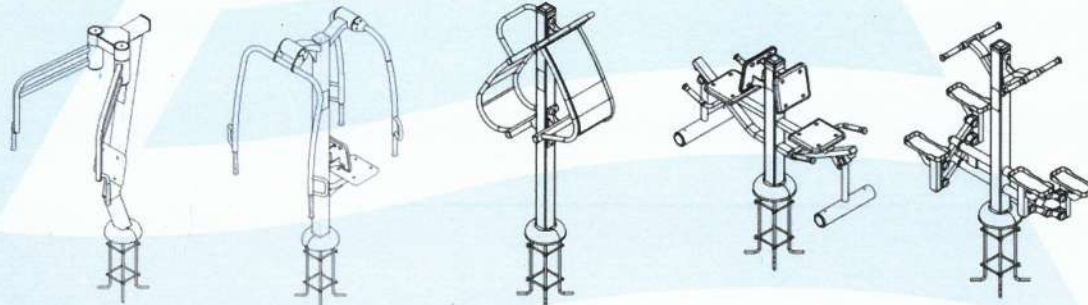
Certification program PCWU-3

Certified Product (Product Identification)

Outdoor Fitness

Name:	Leg press	Abductor-adductor	Anatomic press	Hip extension	Stepper
Model:	SM228.1-T	SM101.1-T	SM106	SM126	SM136
Dimensions LxWxH [mm]:	1015x1123x1989	1115x1126x2056	1033x496x2051	1559x551x1108	1352x564x1458
Main material:	galvanized or/and powder coated steel, plastic				

Product
visualization:



TÜV Rheinland Polska Sp. z o.o.
ul. Komitetu Obrony Robotników 56
02-146 Warszawa, Polska
Tel.: (+48/22) 331 96 30
Tel.: (+48/22) 331 96 31
e-mail: post@pl.tuv.com



Warsaw, 2018-09-14

Product Certification Body

Tomasz Mańczak

This certificate is subjected to the Certification Regulations as well as the General Conditions of Including Transactions in TRP and refers only to the products consistent with the sample being the basis of the carried out confirmation test. This certificate alone does not entitle the holder to attach the CE marking. The validity of the certificate can be checked on www.certipedia.com



Safety
Regular
Production
Surveillance

www.tuv.com
ID 0000051557



AC 141

TÜVRheinland[®]
Precisely Right.

www.tuv.pl