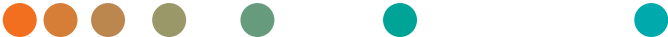
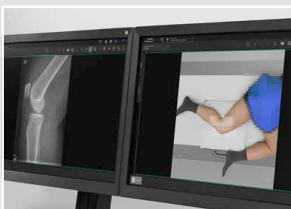
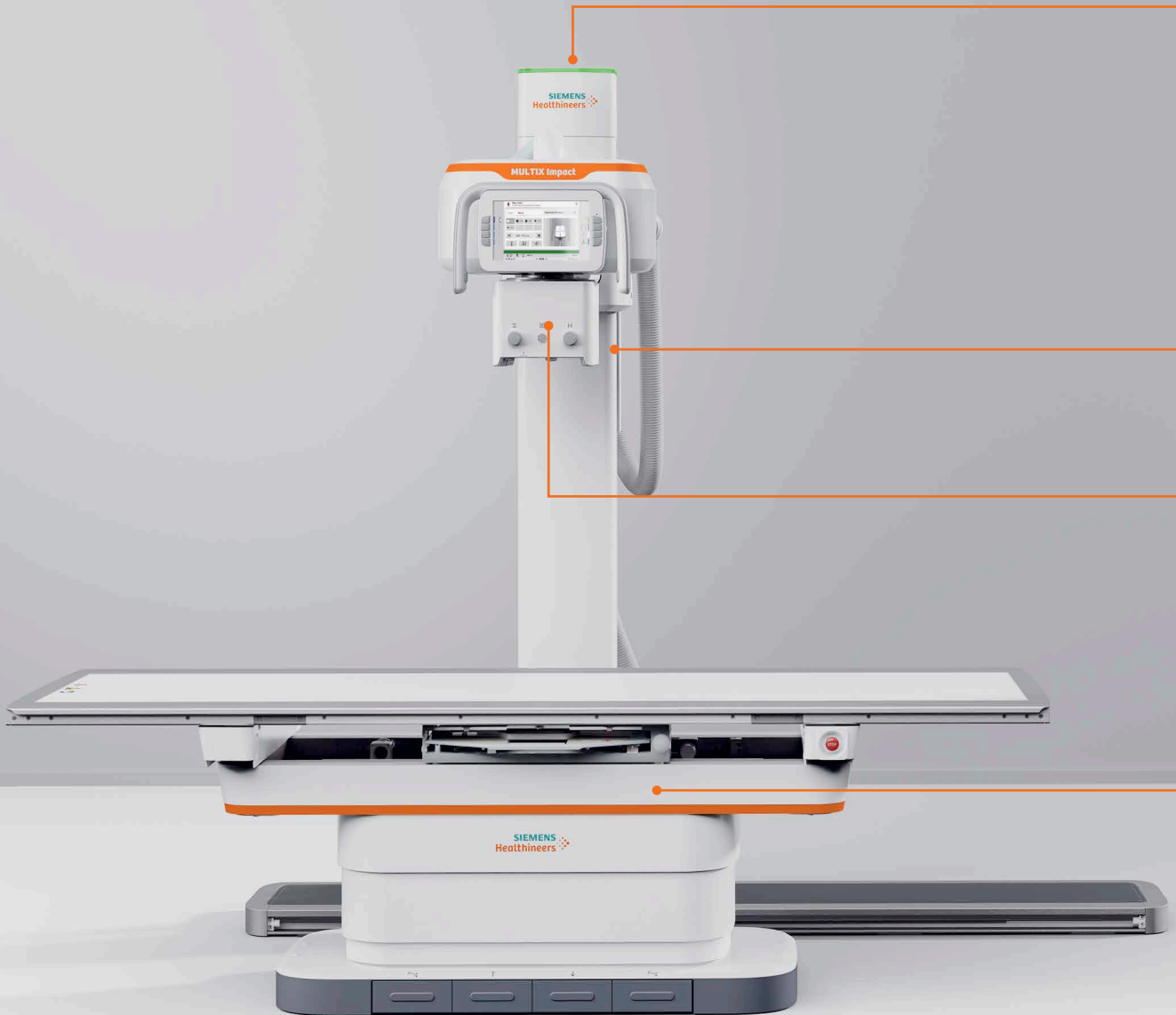


MULTIX Impact

Environmental Product Declaration

siemens-healthineers.com/multix-impact



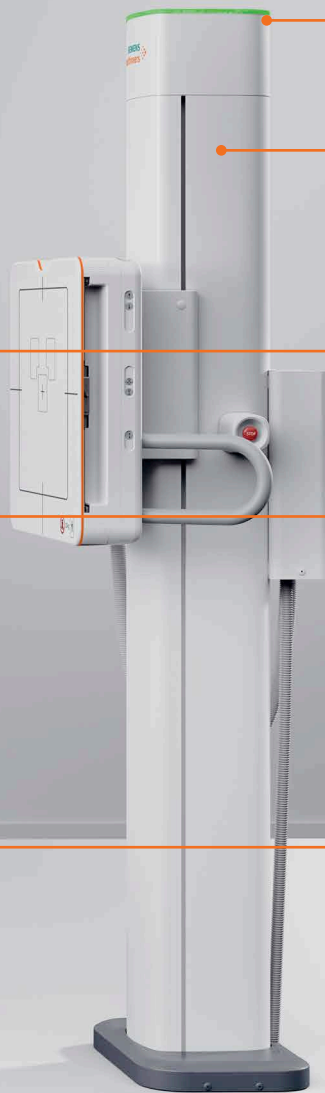


Hybrid Image Documentation¹⁾
Photographic live image of the patient for an optional diagnostic reference



SmartMove¹⁾
Virtually unlimited positions can be used for table and Bucky wall stand¹⁾ examinations

Technical specifications: MULTIX Impact



Impact Illuminate¹⁾
Indicates the system status

Bucky wall stand (BWS)

- Automatic detector tracking (BWS mode)¹⁾
- Vertical travel range: up to 143.5 cm (56.5")
- Low central beam height: 31.5 cm (12.4")
- Fixed detector Core static¹⁾

Floor-mounted tube

- Motorized collimator¹⁾
- SmartMove¹⁾
- 10" touch user interface

myExam 3D Camera¹⁾

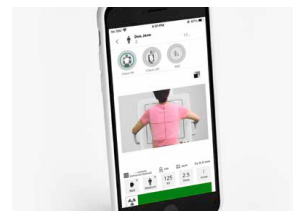
- Virtual Collimation¹⁾
- Smart Virtual Ortho¹⁾
- Auto Thorax Collimation¹⁾
- Auto Long-Leg and Full-Spine Collimation¹⁾ for standing examinations at the BWS
- Auto TOD Measurement¹⁾
- Live camera image

Table¹⁾

- Automatic tube tracking (table mode)¹⁾
- Adjustable height¹⁾: from 51.5 to 90 cm (20.3" to 35.4")
- High weight capacity: 300 kg (661 lbs)
- Comfortable patient positioning on flat tabletop

Wireless detectors

- MAX wi-D¹⁾ (35 cm x 43 cm/ 14" x 17") with detector sharing
- Core XL (43 cm x 43 cm/ 17" x 17")



Smart Remote Control¹⁾

- Access major imaging system functions on the go
- Live-stream of patient status

¹⁾ Option

Environmental Management System

Siemens Healthineers gives high priority to achieving excellence in Environmental Protection, Health Management and Safety (EHS).

Across the globe, Siemens Healthineers has implemented a consistent EHS management system. It lays the foundation for the continuous improvement of our performance in these areas, and regular auditing assures our conformance.

As a result of this consistent approach, Siemens Healthineers is considered as one organization and is certified in accordance with ISO 14001 and OHSAS 18001.

Environmental Product Design



Material supply:

From natural resources to delivery of semi-finished products



Production/delivery:

From production of components to operation startup by the customer



Use/maintenance:

Includes daily use by our customers as well as maintenance



End-of-life:

From disassembly at the customer site, through material and energy recycling

Siemens Healthineers considers environmental aspects in all phases of the product life cycle, including material supply, production/delivery, use/maintenance and end of life.

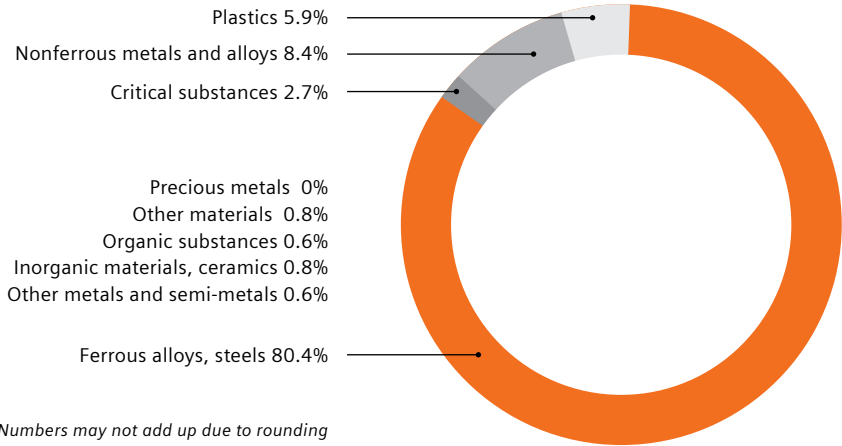
Our product design conforms to the requirements of IEC 60601 "Requirements for environmentally conscious design".

This standard supports the effort to improve the environmental performance of our products.

Product Materials

MULTIX Impact is mainly built out of metals. This ensures a high degree of recyclability.

Total weight:
approx. 1184 kg (2610 lbs)



Product Take Back

Most of the materials used to produce MULTIX Impact are recyclable. 99.3% (by weight) can be recycled for material content and 0.7% for energy.

Our product take back program ensures that we address the environmental aspects of our products – even at the end of life. As part of this program, we refurbish systems and reuse components and replacement parts whenever possible through our Refurbished Systems business.

To ensure proper disassembly, disposal and recycling, a respective instruction for the MULTIX Impact is available.

We reuse components and subsystems for non-medical products. We also recycle for material or energy value. Disassembly instructions for disposal and recycling are available for our products.

Operating data

Temperature range	+ 10 °C to + 35 °C
Relative humidity	20 % to 75 %, non-condensing
Barometric pressure	700 hPa to 1060 hPa
Power consumption	
• System off (detectors in standby) ²⁾	110 W
• System in standby ²⁾	340 W
• System in operation ²⁾	392 W
Energy consumption ²⁾	5.26 kWh / day
Power-on time ³⁾	≤ 240 s
Power-off time ⁴⁾	≤ 90 s

Technical specifications

Possible type of cooling	Natural air cooling
Complete shutdown is possible	yes
Interface for heat recovery	n.a.
Uniform operating symbols for device families	yes

Radiation

Measures/techniques to minimize ionizing radiation exposure	CsI flat panel detector with high resolution DAP measurement chamber ¹⁾ Multi-leaf collimator EXI tracking Pediatric filters ¹⁾ Rejection analysis tool DICOM Dose report RAD
Minimization compared to the limit value for patients	n.a.
Measures/techniques to minimize exposure to electromagnetic radiation	WiFi signal power can be reduced on request (wireless detector)
Minimization compared to the limit value for users	n.a.

¹⁾ Option

²⁾ Assumptions for daily usage profile:

- System off: 14 h
- System in standby: 4 h
- System in operating condition: 6 h
- 8 patients / hour (= 32 acquisitions / hour)

³⁾ Values for system in ready status after switch-on

⁴⁾ Values for imaging system; generator is turned on/off within approx. 5 seconds

Replacement parts and consumables

Item	Life cycle ¹⁾
Detector battery (wireless only)	1 year

Disposal / Substance information

End-of-life concept	yes
Recycling information	yes
List of hazardous substances	yes

Cleaning

Incompatible cleaning processes

• Total device	n.a.
• Restrictions for particular device components	n.a.

List of incompatible substance classes

• Total device	alcoholic / ethereal agents chlorine derivatives quaternary compounds
• Flat panel detector	alcoholic / ethereal agents pyridine derivatives
Suitability of the device for sterile areas	n.a.

Further ecologically relevant information

Elements of instruction are

• Recommendations for saving energy	n.a.
• Recommendations for efficient cleaning	yes

¹⁾ Option

MULTIX Impact is not yet available in all countries. Due to regulatory reasons, its future availability cannot be guaranteed. Please contact your local Siemens Healthineers organization for further details.

On account of certain regional limitations of sales rights and service availability, we cannot guarantee that all products/services/features included in this brochure are available through the Siemens Healthineers sales organization worldwide. Availability and packaging may vary by country and are subject to change without prior notice.

The information in this document contains general descriptions of the technical options available and may not always apply in individual cases.

Siemens Healthineers reserves the right to modify the design and specifications contained herein without prior notice. Please contact your local Siemens Healthineers sales representative for the most current information.

In the interest of complying with legal requirements concerning the environmental compatibility of our products (protection of natural resources and waste conservation), we may recycle certain components where legally permissible.

For recycled components we use the same extensive quality assurance measures as for factory-new components.

Any technical data contained in this document may vary within defined tolerances. Original images always lose a certain amount of detail when reproduced.

MULTIX Impact 144 71 736
VA21

Siemens Healthineers Headquarters

Siemens Healthcare GmbH
Henkestr. 127
91052 Erlangen, Germany
Phone +49 9131 84-0
siemens-healthineers.com

Manufacturer

Siemens Shanghai
Medical Equipment Ltd.
No. 278, Zhouzhu Road
Shanghai, 201318
P. R. China