

# EKO1200

## DOUBLE ECCENTRIC FLANGED BUTTERFLY VALVE

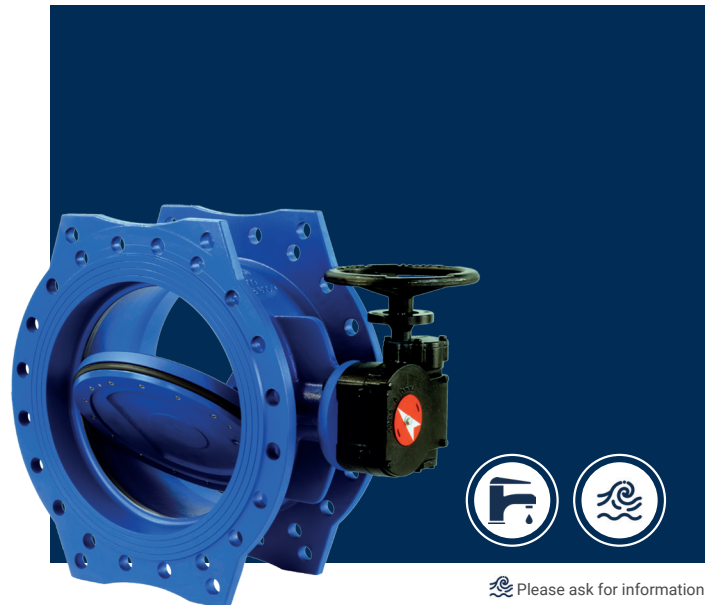


### TECHNICAL ADVANTAGES

- Valve design according to BS EN 593 Double Eccentric Design standard
- Face to face length according to EN 558-1 Series 14 (Long) or EN 558-1 Series 13 (Short)
- Flanged connection according to DIN2501, EN 1092-2 or ISO 7005-2
- Hydraulic Pressure test according to EN 12266-1
- Wear Resistant Resilient EPDM or NBR Disc Sealing
- Maintenance Free Bronze Shaft Bearings
- Can be supplied with Bidirectional Design
- EKO1200 Butterfly Valves can be used as Control Valves and for Regulation Purpose
- Used in Pump Stations, Water Treatment and Desalination Facilities, Reservoirs etc.
- Max Application Temperature +70°C
- Suitable for Electric and Pneumatic Actuator Connection for On-Off and Regulating Purpose
- WRAS Approved Model Suitable for Potable Water
- Double Eccentric Valves are Two Direction Seat Tight, Please Obey Flow Direction Arrow

### MATERIAL

- Body: GGG40/50 Ductile Iron
- Disc: GGG40/50 Ductile Iron
- Retaining Ring: Ductile Iron, Steel, Stainless Steel
- Disc Sealing: EPDM / NBR
- Bolts: Galvanized, Stainless Steel
- Shaft: SS420, SS304, SS316, Duplex  
Bearing: Bronze
- O ring: EPDM, NBR
- Cover: GGG40/50 Ductile Iron
- Gear Box: GGG40/50 Ductile Iron
- Seat: SS316 Welded

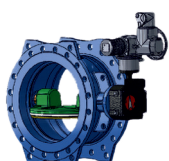


### COATING

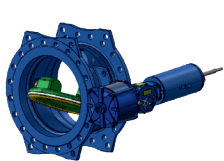
- Inside and Outside 250 to 350 Microns Fusion Bounded Powder Epoxy Coated RAL 5005

### VERSIONS

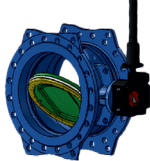
- Can be supplied with Gearbox ( IP-65 rated, IP-67 or IP-68 )
- With Electric Actuator
- Electric actuator ready
- Pneumatic Actuator
- Fixed & Telescopic Extension Spindle
- With Hydraulic Actuator (Refer to EKO1250)
- With Limit Switches or Position Indicators



Electric Actuator



Pneumatic Actuator



Fixed Extension Spindle

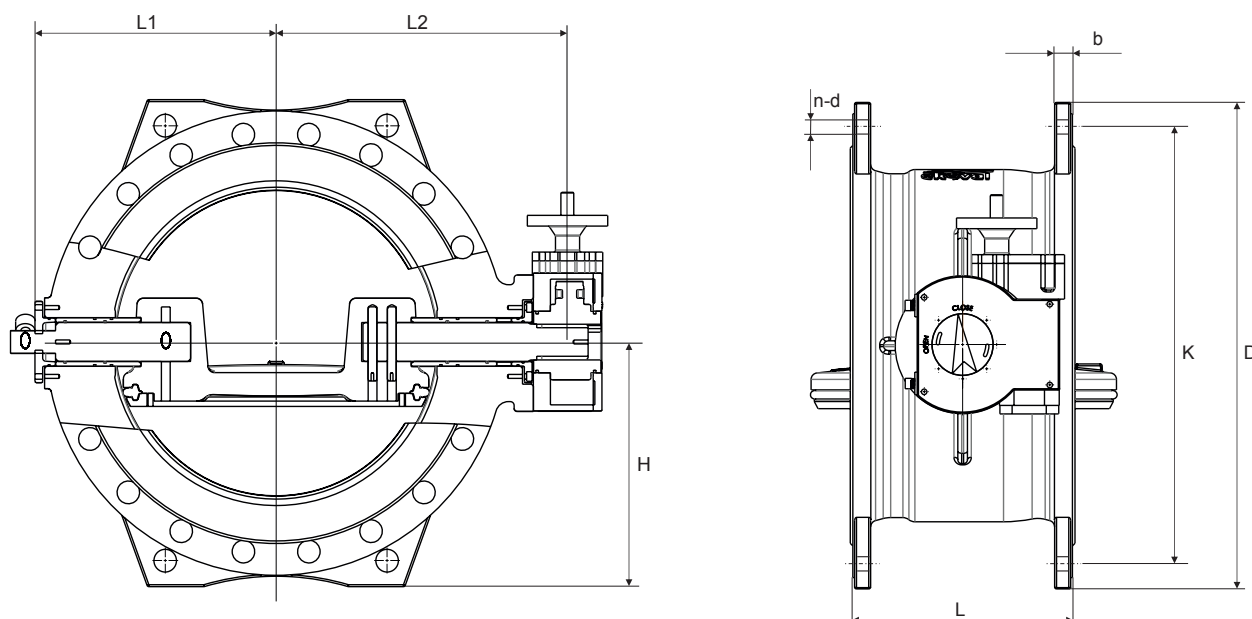


Telescopic Extension Spindle

Remarks: Grey tones represents available options.

# EKO1200

## DOUBLE ECCENTRIC FLANGED BUTTERFLY VALVE



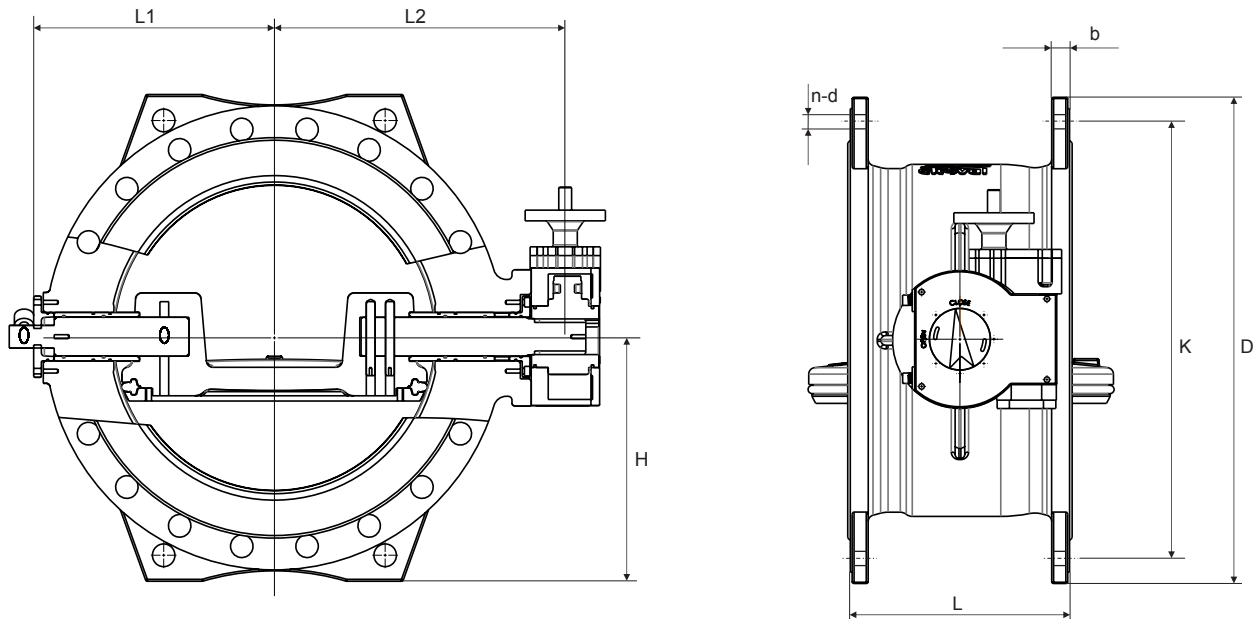
Double Eccentric Flanged Butterfly Valve Dimension Table (PN10)

DN	L (s13)	L (s14)	L1	L2	H	D	K	b	n-d
150	140	210	155	228	143	285	240	19	23x8xm20
200	152	230	183	259	170	340	295	20	23x8xm20
250	165	250	229	334	210	395	350	22	23x12xm20
300	178	270	262	350	236	445	400	24,5	23x12xm20
350	190	290	260	386	257	505	460	24,5	23x16xm20
400	216	310	286	418	302	565	515	24,5	28x16xm24
450	222	330	328	440	324	615	565	25,5	28x20xm24
500	229	350	363	483	345	670	620	26,5	28x20xm24
600	267	390	410	498	416	780	725	30	31x20xm27
700	292	430	469	550	465	895	840	31,5	31x24xm27
800	318	470	520	614	523	1015	950	35	34x24xm30
900	330	510	575	703	570	1115	1050	37,5	34x28xm30
1000	410	550	635	763	630	1230	1160	40	37x28xm33
1100	-	590	-	-	720	1340	1270	43	37x32
1200	470	630	755	890	740	1455	1380	45	40x32xm36
1300	-	670	-	-	800	1585	1490	45	42x32
1400	530	710	860	1040	848	1675	1590	46	43x36xm39
1500	-	750	-	-	915	1785	1700	44	44x36
1600	600	790	1020	1220	970	1915	1820	49	49x40xm45
1800	670	870	1225	1373	1076	2115	2020	52	49x44xm45
2000	760	950	1360	1491	1185	2325	2230	55	49x48xm45

Remarks: For empty sections, please contact with EKOVAL for empty sections.

# EKO1200

## DOUBLE ECCENTRIC FLANGED BUTTERFLY VALVE



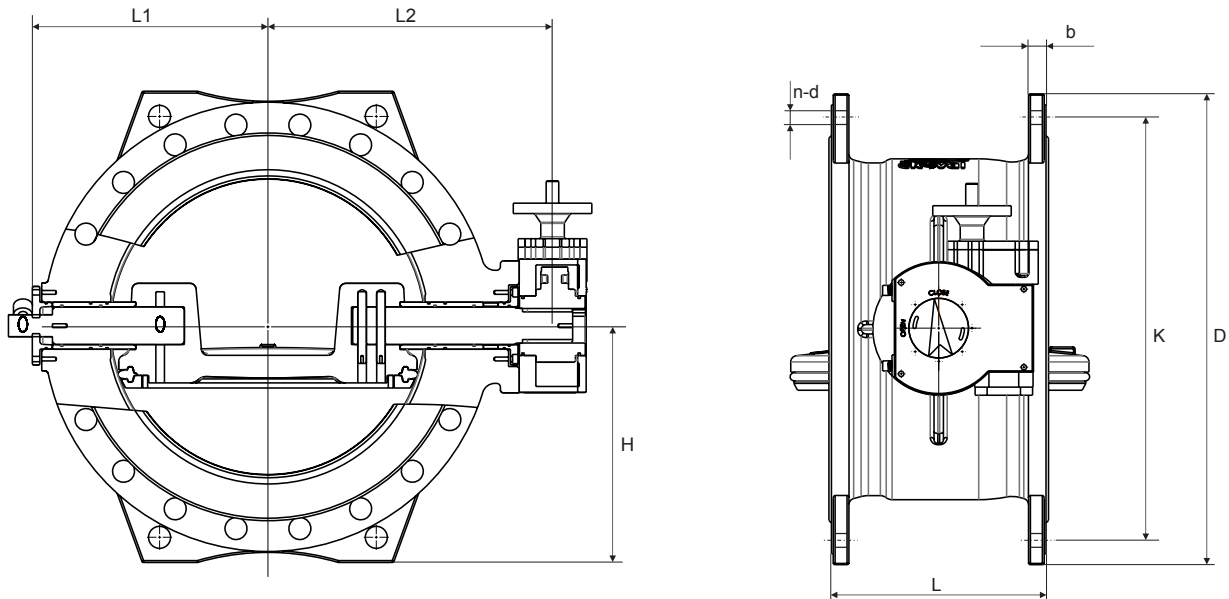
Double Eccentric Flanged Butterfly Valve Dimension Table (PN16)

DN	L (s13)	L (s14)	L1	L2	H	D	K	b	n-d
150	140	210	155	228	143	285	240	19	23x8xm20
200	152	230	183	259	170	340	295	20	23x12xm20
250	165	250	229	334	210	395	350	22	28x12xm24
300	178	270	262	350	236	445	400	24,5	23x12xm20
350	190	290	260	386	257	505	460	26,5	28x16xm24
400	216	310	286	418	302	565	515	28	31x16xm27
450	222	330	328	440	324	615	565	30	31x20xm27
500	229	350	363	483	345	670	620	31,5	34x20xm30
600	267	390	410	498	416	780	725	36	37x20xm33
700	292	430	469	550	465	895	840	39,5	37x24xm33
800	318	470	520	614	523	1015	950	43	41x24xm36
900	330	510	575	703	570	1115	1050	46,5	41x28xm36
1000	410	550	635	763	630	1230	1160	50	44x28xm39
1100	-	590	-	-	720	1355	1270	53,5	44x32
1200	470	630	755	890	740	1455	1380	57	50x32xm45
1300	-	670	-	-	800	1585	1490	59	50x32
1400	530	710	860	1040	848	1675	1590	60	50x36xm45
1500	560	750	-	-	920	1820	1700	62,5	57x36
1600	600	790	1020	1220	970	1915	1820	65	57x40xm52
1800	670	870	1225	1373	1076	2115	2020	70	57x44xm52
2000	760	950	1360	1491	1185	2325	2230	75	62x46xm56

Remarks: For empty sections, please contact with EKOVAL for empty sections.

# EKO1200

## DOUBLE ECCENTRIC FLANGED BUTTERFLY VALVE



Double Eccentric Flanged Butterfly Valve Dimension Table (PN25)

DN	L (s13)	L (s14)	L1	L2	H	D	K	b	n-d
150	140	210	155	228	143	285	240	19	23x8xm24
200	152	230	183	259	170	340	295	20	28x12xm24
250	165	250	229	334	210	395	350	22	31x12xm27
300	178	270	262	350	236	445	400	24,5	31x16xm27
350	190	290	260	386	257	505	460	26,5	34x16xm30
400	216	310	286	418	302	565	515	28	37x16xm33
450	222	330	328	440	324	615	565	30	37x20xm33
500	229	350	363	483	345	670	620	31,5	37x20xm33
600	267	390	410	498	416	780	725	36	41x20xm36
700	292	430	469	550	465	895	840	39,5	44x24xm39
800	318	470	520	614	523	1015	950	43	50x24xm45
900	330	510	575	703	570	1115	1050	46,5	50x28xm45
1000	410	550	635	763	630	1230	1160	50	57x28xm52
1200	470	630	755	890	740	1455	1380	57	57x32xm52
1400	530	710	860	1040	848	1675	1590	60	62x36xm56
1600	600	790	1020	1220	970	1915	1820	65	62x40xm56
1800	670	870	1225	1373	1076	2115	2020	70	70x44xm60

Remarks: For empty sections, please contact with EKOVAL for empty sections.