



New release mechanism
for the swivel



450 mm wide folded seat

Seamless upholstery is specifically designed for the ambulance market (EN 1789), where bacterial control and cleaning is particularly important. Therefore, the seat is made with antibacterial upholstery and fewer seams to prevent the build-up of bacteria.

JANY 862 Ambulance⁺ is a special edition of our functional M1 seat, JANY 862.

- The seat is flexible, as it can be turned against the wall and folded.
- Takes up minimal space and provides good accessibility.
- Adjustable back and 450 mm wide folding seat.
- The turntable function can now be released from the backrest. This provides a more ergonomic working position and makes handling easier.
- Delivered with Tip Up function as standard.

Directive 2007/46/EC for vehicle category M1:

- Regulation ECE R14
- Regulation ECE R16
- Regulation ECE R17
- Regulation ECE R21

Seats are tested and approved by TÜV and UTAC

JANY 862 Ambulance⁺

JANY 862 Ambulance⁺ is equipped as standard with adjustable back, foldable seat function, 3 point seat belt, integrated headrest, Tip Up and wide seat cushion. The seats can be fitted on Be-Ge Jany's flexible fully compliant Twinplate floor system or on a stylish wheel box from Jany.



Options

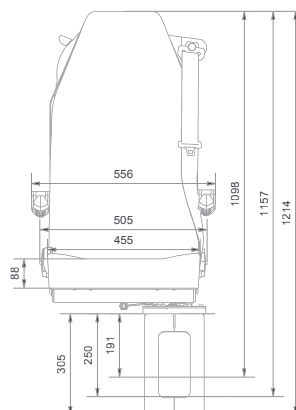
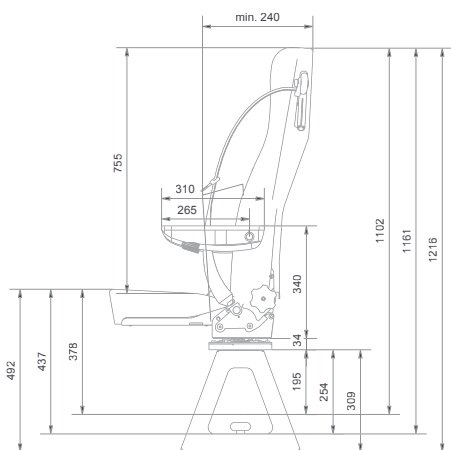
JANY 862 Ambulance⁺ is delivered with antibacterial upholstery with reduced seams. Seats can be equipped with armrests.

Weight in kg.

JANY 862 Ambulance⁺

Seat	Aluminum swivel	Pyramid	Armrest
19,0*	3,15	6	0,8

*without upholstery



*The swivel cannot be center mounted on the seat. Therefore the swivel must be offset left or right.