

## Product Technical Sheet

16 Aug 2022 06:12



# 655.0015 MOUNTING PLATE

M320 TYPE 1 267x294mm



Product Approvals

TECHDATA		STANDARDS AND LAWS	
Commercial series	EASYBOX Series	EN 60670-1 (2005)	[European Standard] Boxes and enclosures for electrical accessories for household and similar fixed electrical installations. General requirements
Type of product	MOUNTING PLATE		
Synthetical description	MOUNTING PLATE	EN 60670-24 (2013)	[European Standard] Boxes and enclosures for electrical accessories for household and similar fixed electrical installations - Part 24: Particular requirements for enclosures for housing protective devices and other power dissipating electrical equipment
Housing	TYPE 1		
Modularity	M320		
Dimensions	267x294mm	DIRECTIVE LOW VOLTAGE 2014/35 /UE	[European Directives] Low Voltage Directive
Material	ZINC-COATED STEEL		
Colour	GREY		

# Product Technical Sheet

16 Aug 2022 06:12



## 655.0111 PLAIN DOOR M320 TYPE 1

Product Approvals

TECHDATA		STANDARDS AND LAWS	
Commercial series	EASYBOX Series	EN 60670-1 (2005)	[European Standard] Boxes and enclosures for electrical accessories for household and similar fixed electrical installations. General requirements
Type of product	PLAIN DOOR	EN 60670-24 (2014)	[European Standard] Boxes and enclosures for electrical accessories for household and similar fixed electrical installations - Part 24: Particular requirements for enclosures for housing protective devices and other power dissipating electrical equipment
Synthetical description	PLAIN DOOR		
Housing	TYPE 1		
Modularity	M320		
Door	Metal	DIRECTIVE LOW VOLTAGE 2014/35 /UE	[European Directives] Low Voltage Directive
Protection degree IK	IK10		
Material	MV (Varnished metal)		
Colour	GREY		

# 137.4407

## GERMAN STANDARD SOCKET

GERMAN STANDARD SOCKET 16A M95  
(95x95mm)



Product Approvals

TECHDATA		STANDARDS AND LAWS	
Colour	GREY	CEI 23-5	[Italian Standard] Prese a spine per usi domestici e similari
Commercial series	PROTECTA Series	DIRECTIVE RoHS 2011/65/EU	[European Law] Restriction of the use of certain hazardous substances in electrical and electronic equipment
Type of product	GERMAN STANDARD SOCKET		
Synthetical description	GERMAN STANDARD SOCKET		
Type	GERMAN SHUTTERED		
Mounting version	FLUSH MOUNTING		
Protection degree	Splash proof		
Protection degree IP	IP66		
Material	THERMOPLASTIC		
Rated current	16A		
Rated voltage	250V		
Dimensions	M95(95x95mm)		

# 570.6407

## GERMAN STANDARD SOCKET

GERMAN STANDARD SOCKET 16A 70x87mm



Product Approvals

TECHDATA		STANDARDS AND LAWS	
Poles	2P+E	IEC 60884-1 (2002)	[International Standard] Plugs and socket-outlets for household and similar purposes - Part 1: General requirements
Commercial series	DOMOPLUS Series		
Type of product	Domestic socket	DIRECTIVE RoHS 2011/65/EU	[European Law] Restriction of the use of certain hazardous substances in electrical and electronic equipment
Synthetical description	GERMAN STANDARD SOCKET		
Type	GERMAN SHUTTERED		
Mounting version	FLUSH MOUNTING		
Protection degree	Splash proof		
Protection degree IP	IP66		
Material	THERMOPLASTIC		
Protection degree IK	IK08		
Rated current	16A		
Rated voltage	250V		
Dimensions	70x87mm		
Flange	70X87MM_DPL		

# 590.YA634B

## SWITCH DISCONNECTOR

### 63A 4P Y2 BOX (B)



Product Approvals

TECHDATA		STANDARDS AND LAWS	
Commercial series	COMMAND Series	EN 60947-3 (2009)	[European Standard] Low-voltage switchgear and controlgear - Part 3: Switches, disconnectors, switch-disconnectors and fuse-combination units
Type of product	SWITCH DISCONNECTOR	EN 60947-1 (2007)	[European Standard] Low-voltage switchgear and controlgear - Part 1: General rules
Synthetical description	SWITCH DISCONNECTOR	EN 60947-1/A1 (2011)	[European Standard] Low-voltage switchgear and controlgear - Part 1: General rules
Material	THERMOPLASTIC	EN 60947-3/A1 (2012)	[European Standard] Low-voltage switchgear and controlgear Part 3: Switches, disconnectors, switch-disconnectors and fuse-combination units
Type	BOX (B)	UL 60947-1	[American Standard] Low-Voltage Switchgear and Controlgear - Part 1: General rules
Rated current	63A	UL 60947-4-1	[American Standard] Low-Voltage Switchgear and Controlgear - Part 4-1: Contactors and Motor-Starters - Electromechanical Contactors and Motor-Starters
Poles	4P	CSA C22.2 No. 60947-1-13	[Canadian Standard] Low-voltage switchgear and controlgear - Part 1: General rules
Switch size	Y2	CSA C22.2 No. 60947-4-1-14	[Canadian Standard] Low-voltage switchgear and controlgear - Part 4-1: Contactors and motor-starters - Electromechanical contactors and motor-starters
Rated voltage	690V	EN 60947-1/A2 (2014)	[European Standard] Low-voltage switchgear and controlgear - Part 1: General rules
		EN 60947-3/A2 (2015)	[European Standard] Low-voltage switchgear and controlgear Part 3: Switches, disconnectors, switch-disconnectors and fuse-combination units
		DIRECTIVE LOW VOLTAGE 2014/35	[European Directives] Low Voltage Directive

/UE

# 590.YA634R

## SWITCH DISCONNECTOR

### 63A 4P Y2 REAR (R)



Product Approvals

TECHDATA		STANDARDS AND LAWS	
Type of product	SWITCH DISCONNECTOR	EN 60947-3 (2009)	[European Standard] Low-voltage switchgear and controlgear - Part 3: Switches, disconnectors, switch-disconnectors and fuse-combination units
Commercial series	COMMAND Series		
Synthetical description	SWITCH DISCONNECTOR	EN 60947-1 (2007)	[European Standard] Low-voltage switchgear and controlgear - Part 1: General rules
Material	THERMOPLASTIC	EN 60947-1/A1 (2011)	[European Standard] Low-voltage switchgear and controlgear - Part 1: General rules
Type	REAR (R)	EN 60947-3/A1 (2012)	[European Standard] Low-voltage switchgear and controlgear Part 3: Switches, disconnectors, switch-disconnectors and fuse-combination units
Rated current	63A	UL 60947-1	[American Standard] Low-Voltage Switchgear and Controlgear - Part 1: General rules
Poles	4P	UL 60947-4-1	[American Standard] Low-Voltage Switchgear and Controlgear - Part 4-1: Contactors and Motor-Starters - Electromechanical Contactors and Motor-Starters
Switch size	Y2	CSA C22.2 No. 60947-1-13	[Canadian Standard] Low-voltage switchgear and controlgear - Part 1: General rules
Rated voltage	690V	CSA C22.2 No. 60947-4-1-14	[Canadian Standard] Low-voltage switchgear and controlgear - Part 4-1: Contactors and motor-starters - Electromechanical contactors and motor-starters
		EN 60947-1/A2 (2014)	[European Standard] Low-voltage switchgear and controlgear - Part 1: General rules
		EN 60947-3/A2 (2015)	[European Standard] Low-voltage switchgear and controlgear Part 3: Switches, disconnectors, switch-disconnectors and fuse-combination units
		DIRECTIVE LOW VOLTAGE 2014/35	[European Directives] Low Voltage Directive

/UE



# 590.YA1004B

## SWITCH DISCONNECTOR

### 100A 4P Y2 BOX (B)



Product Approvals

TECHDATA		STANDARDS AND LAWS	
Commercial series	COMMAND Series	EN 60947-3 (2009)	[European Standard] Low-voltage switchgear and controlgear - Part 3: Switches, disconnectors, switch-disconnectors and fuse-combination units
Type of product	SWITCH DISCONNECTOR	EN 60947-1 (2007)	[European Standard] Low-voltage switchgear and controlgear - Part 1: General rules
Synthetical description	SWITCH DISCONNECTOR	EN 60947-1/A1 (2011)	[European Standard] Low-voltage switchgear and controlgear - Part 1: General rules
Material	THERMOPLASTIC	EN 60947-3/A1 (2012)	[European Standard] Low-voltage switchgear and controlgear Part 3: Switches, disconnectors, switch-disconnectors and fuse-combination units
Type	BOX (B)	UL 60947-1	[American Standard] Low-Voltage Switchgear and Controlgear - Part 1: General rules
Rated current	100A	UL 60947-4-1	[American Standard] Low-Voltage Switchgear and Controlgear - Part 4-1: Contactors and Motor-Starters - Electromechanical Contactors and Motor-Starters
Poles	4P	CSA C22.2 No. 60947-1-13	[Canadian Standard] Low-voltage switchgear and controlgear - Part 1: General rules
Switch size	Y2	CSA C22.2 No. 60947-4-1-14	[Canadian Standard] Low-voltage switchgear and controlgear - Part 4-1: Contactors and motor-starters - Electromechanical contactors and motor-starters
Rated voltage	690V	EN 60947-1/A2 (2014)	[European Standard] Low-voltage switchgear and controlgear - Part 1: General rules
		EN 60947-3/A2 (2015)	[European Standard] Low-voltage switchgear and controlgear Part 3: Switches, disconnectors, switch-disconnectors and fuse-combination units
		DIRECTIVE LOW VOLTAGE 2014/35	[European Directives] Low Voltage Directive

/UE



# 590.YM67B7

## FRONT OPERATOR PADLOCKABLE

IP65 standard 67x67mm Y2 GENERAL GREY  
/BLACK TYPE 1, 4, 4X

Product Approvals

TECHDATA		STANDARDS AND LAWS	
Commercial series	COMMAND Series	UL 486A	[American Standard] Wire Connectors
Type of product	FRONT OPERATOR PADLOCKABLE	EN 60947-3 (2009)	[European Standard] Low-voltage switchgear and controlgear - Part 3: Switches, disconnectors, switch-disconnectors and fuse-combination units
Synthetical description	FRONT OPERATOR PADLOCKABLE	EN 60947-1 (2007)	[European Standard] Low-voltage switchgear and controlgear - Part 1: General rules
Material	THERMOPLASTIC	EN 60947-1/A1 (2011)	[European Standard] Low-voltage switchgear and controlgear - Part 1: General rules
Protection degree IP	IP65	EN 60947-3/A1 (2012)	[European Standard] Low-voltage switchgear and controlgear - Part 3: Switches, disconnectors, switch-disconnectors and fuse-combination units
Type	GENERAL	UL 60947-1	[American Standard] Low-Voltage Switchgear and Controlgear - Part 1: General rules
Colour	GREY/BLACK	UL 60947-4-1	[American Standard] Low-Voltage Switchgear and Controlgear - Part 4-1: Contactors and Motor-Starters - Electromechanical Contactors and Motor-Starters
Switch size	Y2	CSA C22.2 No. 60947-1-13	[Canadian Standard] Low-voltage switchgear and controlgear - Part 1: General rules
Rated voltage	690V	CSA C22.2 No. 60947-4-1-14	[Canadian Standard] Low-voltage switchgear and controlgear - Part 4-1: Contactors and motor-starters - Electromechanical contactors and motor-starters
Diameter	standard	EN 60947-1/A2 (2014)	[European Standard] Low-voltage switchgear and controlgear - Part 1: General rules
Dimensions	67x67mm	EN 60947-3/A2 (2015)	[European Standard] Low-voltage switchgear and controlgear Part 3: Switches, disconnectors, switch-disconnectors and fuse-combination units
Notes	TYPE144X	DIRECTIVE LOW	[European Directives] Low Voltage
Flange	67X67MM		

VOLTAGE 2014/35 Directive  
/UE

# 590.YMA201

## SHAFT

200mm Y3 Y4 Y5 C1 C2 C3 D3 D5 STEEL - CAP



Product Approvals

TECHDATA		STANDARDS AND LAWS	
Commercial series	COMMAND Series	UL 60947-1	[American Standard] Low-Voltage Switchgear and Controlgear - Part 1: General rules
Type of product	SHAFT	UL 60947-4-1	[American Standard] Low-Voltage Switchgear and Controlgear - Part 4-1: Contactors and Motor-Starters - Electromechanical Contactors and Motor-Starters
Synthetical description	SHAFT		
Material	METAL		
Switch size	Y3	CSA C22.2 No. 60947-1-13	[Canadian Standard] Low-voltage switchgear and controlgear - Part 1: General rules
Switch size	Y4	CSA C22.2 No. 60947-4-1-14	[Canadian Standard] Low-voltage switchgear and controlgear - Part 4-1: Contactors and motor-starters - Electromechanical contactors and motor-starters
Switch size	Y5		
Switch size	C1		
Switch size	C2		
Switch size	C3		
Switch size	D3		
Switch size	D5		
Rated voltage	690V		
Dimensions	200mm		
Notes	STEEL - CAP		

# Product Technical Sheet

16 Aug 2022 06:15



## 590.YMC2 DIRECT HANDLE IP65 Y2 BLACK

Product Approvals

TECHDATA		STANDARDS AND LAWS	
Type of product	DIRECT HANDLE	EN 60947-3 (2009)	[European Standard] Low-voltage switchgear and controlgear - Part 3: Switches, disconnectors, switch-disconnectors and fuse-combination units
Commercial series	COMMAND Series		
Synthetical description	DIRECT HANDLE	EN 60947-1 (2007)	[European Standard] Low-voltage switchgear and controlgear - Part 1: General rules
Material	THERMOPLASTIC	EN 60947-1/A1 (2011)	[European Standard] Low-voltage switchgear and controlgear - Part 1: General rules
Protection degree IP	IP65	EN 60947-3/A1 (2012)	[European Standard] Low-voltage switchgear and controlgear Part 3: Switches, disconnectors, switch-disconnectors and fuse-combination units
Colour	BLACK	EN 60947-1/A2 (2014)	[European Standard] Low-voltage switchgear and controlgear - Part 1: General rules
Switch size	Y2	EN 60947-3/A2 (2015)	[European Standard] Low-voltage switchgear and controlgear Part 3: Switches, disconnectors, switch-disconnectors and fuse-combination units
Rated voltage	690V	DIRECTIVE LOW VOLTAGE 2014/35 /UE	[European Directives] Low Voltage Directive

## Product Technical Sheet

16 Aug 2022 06:11



# 655.0010

## CABINET

M320 TYPE 1 320x370x210mm

Product Approvals

TECHDATA		STANDARDS AND LAWS	
Commercial series	EASYBOX Series	EN 60670-1 (2005)	[European Standard] Boxes and enclosures for electrical accessories for household and similar fixed electrical installations. General requirements
Type of product	CABINET	EN 60670-24 (2013)	[European Standard] Boxes and enclosures for electrical accessories for household and similar fixed electrical installations - Part 24: Particular requirements for enclosures for housing protective devices and other power dissipating electrical equipment
Synthetical description	CABINET		
Housing	TYPE 1		
Modularity	M320		
N.° modules	12 DIN (for row)	DIRECTIVE LOW VOLTAGE 2014/35 /UE	[European Directives] Low Voltage Directive
Protection degree IK	IK10		
Dimensions	320x370x210mm		
Material	LT (Thermoplastic alloy)		
Colour	GREY		

## Product Technical Sheet

04 Jul 2022 09:06



# 655.0011

## PLAIN DOOR

### M320 TYPE 1

Product Approvals

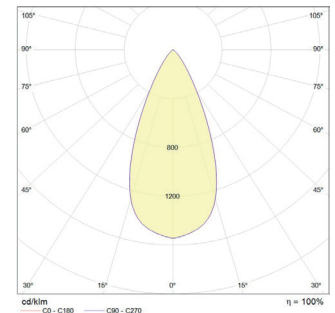
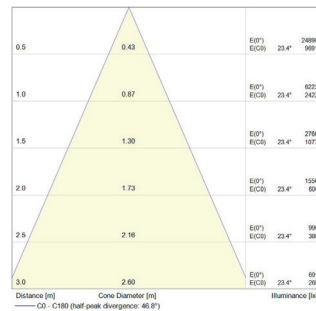
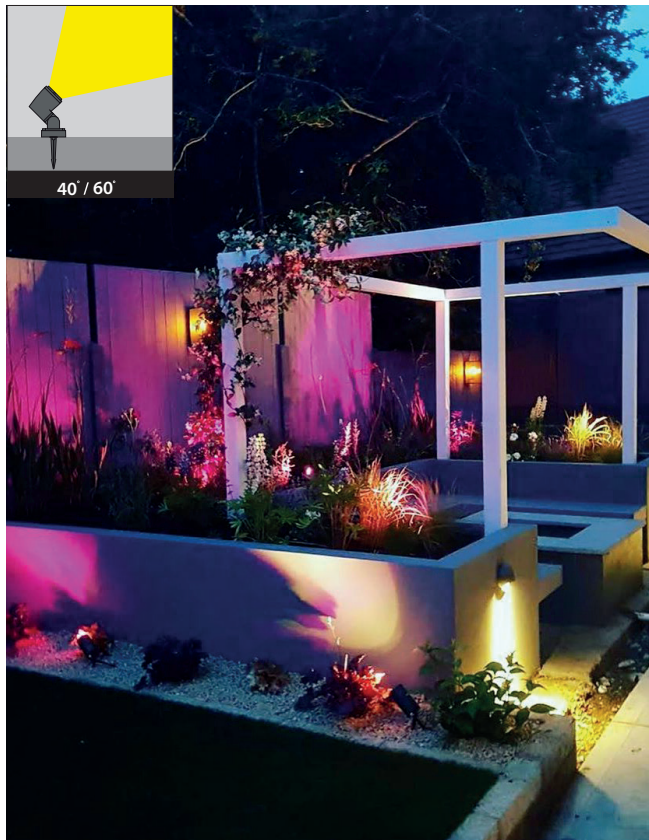
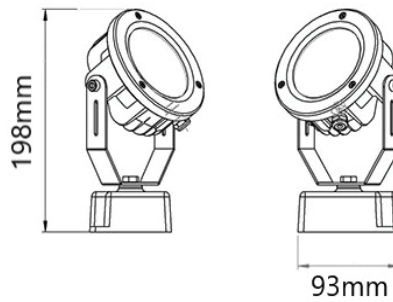
TECHDATA		STANDARDS AND LAWS	
Type of product	PLAIN DOOR	EN 60670-1 (2005)	[European Standard] Boxes and enclosures for electrical accessories for household and similar fixed electrical installations. General requirements
Commercial series	EASYBOX Series		
Synthetical description	PLAIN DOOR	EN 60670-24 (2013)	[European Standard] Boxes and enclosures for electrical accessories for household and similar fixed electrical installations - Part 24: Particular requirements for enclosures for housing protective devices and other power dissipating electrical equipment
Housing	TYPE 1		
Modularity	M320		
Door	Technopolymer	DIRECTIVE LOW VOLTAGE 2014/35 /UE	[European Directives] Low Voltage Directive
Protection degree IK	IK10		
Material	LT (Thermoplastic alloy)		
Colour	GREY		



# ELAD SERIE



- » Corrosion resistant die-cast aluminium body.
- » Installation with bracket on floor, walls and ceiling surfaces.
- » Mains voltage: 220-240V / 50-60Hz.
- » Clever thermal design.
- » Spot, medium, medium flood, wide and wide flood beam angles available.
- » Internal silicon gaskets ensure IP protection.
- » All external screws are stainless steel.
- » Double layer polyester powder paint resistant to corrosion and salt spray fog.



## LBL.OFL.06.20

Led Type	COB LED	
System Power	20W	
Lumen Output	2700K	2483Lm
	4000K	2545Lm
	6500K	2602Lm
	BLUE	2180Lm
	RED	1222Lm

## Product Technical Sheet

16 Aug 2022 06:16



# 805.3347

## CABLE GLAND

### PG36 LIGHT IP66 GREY



Product Approvals

TECHDATA		STANDARDS AND LAWS	
Type of product	CABLE GLAND	EN 62444 (2013)	[European Standard] Cable glands for electrical installations.
Commercial series	UNION Series	DIRECTIVE LOW VOLTAGE 2014/35 /UE	[European Directives] Low Voltage Directive
Synthetical description	CABLE GLAND		
Protection degree IP	IP66		
Type	LIGHT		
Material	THERMOPLASTIC		
Colour	GREY		
Thread (type)	PG		
Thread	PG36		
Fixing hole	ø48mm		
Cable size	ø22-32mm		
Spanner size	53mm		
Thread length	17,5mm		
Nut spanner coupler	15N/m		
Seal spanner coupler	12,5N/m		

805.3348

CABLE GLAND

PG42 LIGHT IP66 GREY



Product Approvals

TECHDATA		STANDARDS AND LAWS	
Type of product	CABLE GLAND	EN 62444 (2013)	[European Standard] Cable glands for electrical installations.
Commercial series	UNION Series	DIRECTIVE LOW VOLTAGE 2014/35 /UE	[European Directives] Low Voltage Directive
Synthetical description	CABLE GLAND		
Protection degree IP	IP66		
Type	LIGHT		
Material	THERMOPLASTIC		
Colour	GREY		
Thread (type)	PG		
Thread	PG42		
Fixing hole	ø55mm		
Cable size	ø30-38mm		
Spanner size	60mm		
Thread length	19mm		
Nut spanner coupler	15N/m		
Seal spanner coupler	12,5N/m		