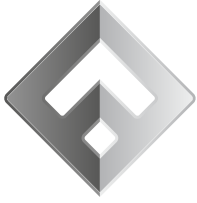


# PARTNER TELESCOPIC MAST Light-Standard

CATEGORY MEDIUM





**FIRECO**

PARTNER TELESCOPIC MAST MEDIUM

# Index.

## 01

### PARTNER TELESCOPIC MAST

- *light*
- *standard*

## 02

### ACCESSORIES

- *lamp units*
- *tilt & turn units*
- *inside Focus System*
- *compressors*
- *pneumatic control board*
- *electrical spiraled cables*
- *mounting accessories*
- *multifunctional kit*



# 01

## PARTNER TELESCOPIC MAST MEDIUM

---

Fireco offers a wide range of Partner telescopic mast, made of aluminum, with extended heights from 1.8 m up to 40 m, diameters from 64 mm to 250 mm and with 3 to 14 sections. The masts are made of light aluminum alloy tubes, anodized and with anti-corrosion properties even in the presence of salt spray. They can withstand temperatures between  $-40^{\circ}\text{C}$  and  $+60^{\circ}\text{C}$ . Fireco's flexibility and professionalism allows us to offer customized solutions, with tailor-made dimensions and features.

The **MEDIUM** category is characterized by masts with diameters from 90 to 115 mm, and sections from 3 to 7. The base can be fixed, manually or electrically turnable and the mast can be equipped with a tilt & turn unit on top. The wide range of electrical cables allows you to find a solution for every need. The masts can be used not only for lighting, but also for the telecommunications sector, being able to carry, antennas, repeaters and many other accessories.



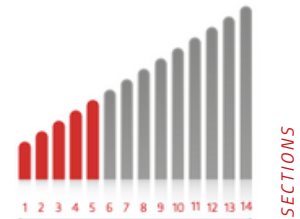
## PARTNER TELESCOPIC MAST MEDIUM

### FEATURES

- DIAM Ø 90 TO 115 MM
- 3 TO 7 SECTIONS
- TOP LOAD UP TO 60 KG
- HEIGHT EXTENDED UP TO 11 METERS
- WIDE RANGE OF INTERNAL CABLES
- TUBE THICKNESS OF 3.5 MM
- WATER DRAINAGE HOLES
- ANTI-ROTATION KEY
- FIXED OR TURNABLE BASE
- MAST EXTENSION WARNING SWITCH
- TILT & TURN UNITS
- COMPLETE MULTIFUNCTIONAL SYSTEM
- WIDE RANGE OF FOOTLIGHTS COMBINATION

## PARTNER TELESCOPIC MAST MEDIUM LIGHT

The telescopic mast **LIGHT** has a diameter of 90 mm and extended heights from 2.298 mm up to 7.944 mm. These mast models can be used for the most common uses, like lighting, cameras and medium weight equipment. These masts can be equipped with a tilt and turn unit.



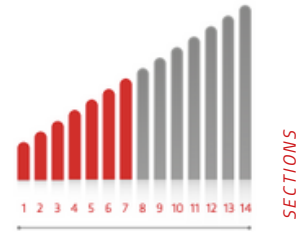
	Mod. LIGHT Ø 90 mm	3 sections with internal cable 3 sfilii con cavo interno									
	CL 33	31	32	33	34	35	36	37	38	39	
Code N	extended height altezza estesa	mm	2.640	3.030	3.524	3.914	4.514	5.014	5.480	5.980	6.439
	retracted height altezza chiusa	mm	1.237	1.367	1.537	1.707	1.877	2.047	2.217	2.387	2.557
	weight peso	kg	11,5	12,3	13,4	14,3	15,6	16,6	17,7	18,7	19,7
	max. top load max. peso in testa	kg	30	30	30	30	30	25	25	25	20
	max. allowed wind speed max. velocità del vento ammessa	km / h	150	140	130	140	130	120	135	125	120
	with max. surface con area max.		0,7 m <sup>2</sup>			0,5 m <sup>2</sup>			0,3 m <sup>2</sup>		
	max. air pressure max. pressione dell'aria		2,5 kg / cm <sup>2</sup> (bar)								
	Ø top section Ø tubo finale		64 mm								





# PARTNER TELESCOPIC MAST MEDIUM STANDARD

The telescopic mast **STANDARD** is one of the most popular masts and has a diameter of 115 mm. The extended heights go from 2.828 mm up to 10.932 mm. This mast model can carry heavier top loads than the Light model. It is also available with 6 and 7 sections and can be used for the most common uses, like lighting, cameras and other equipment. These masts can be equipped with a tilt and turn unit.



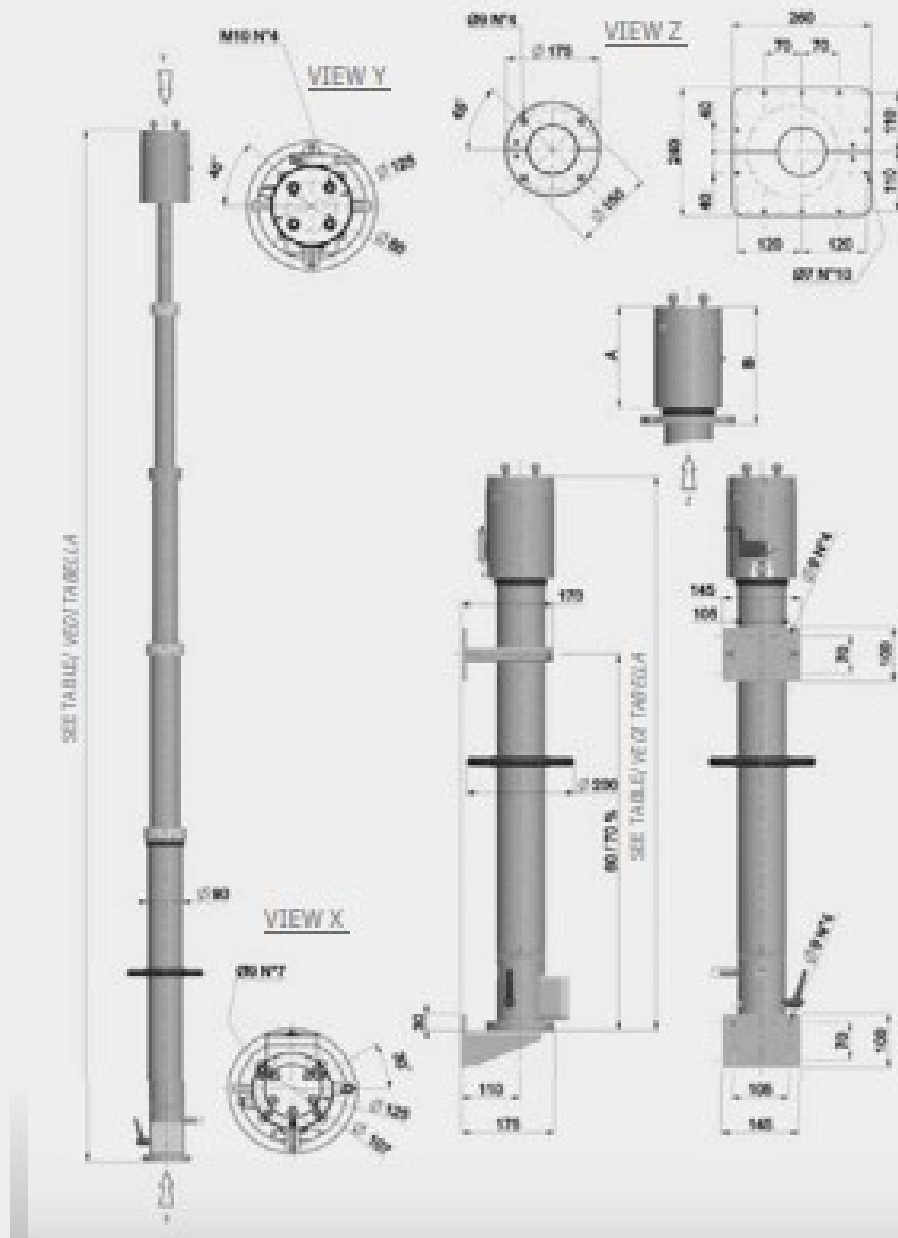
Mod. STANDARD Ø 115 mm		4 sections with internal cable 4 sfili con cavo interno									
CS 34		31	32	33	34	35	36	37	38	39	
Code N	extended height altezza estesa	mm	2.828	3.313	3.920	4.355	4.913	5.363	5.883	6.384	6.885
	retracted height altezza chiusa	mm	1.176	1.316	1.461	1.581	1.716	1.836	1.966	2.116	2.236
	weight peso	kg	17,2	18,6	20,2	21,4	22,9	24,1	25,6	26,9	28,3
	max. top load max. peso in testa	kg	60	60	60	60	60	50	50	50	45
	max. allowed wind speed max. velocità del vento ammessa	km / h	145	135	125	135	125	115	125	115	110
	with max. surface / con area max.		1 m <sup>2</sup>			0,7 m <sup>2</sup>			0,5 m <sup>2</sup>		
max. air pressure / max. pressione dell'aria		2,5 kg / cm <sup>2</sup> (bar)									
Ø top section / Ø tubo finale		77 mm									

Mod. STANDARD Ø 115 mm		5 sections with internal cable 5 sfili con cavo interno									
CS 35		16	17	18	19	20	21	22	23	24	
Code N	extended height altezza estesa	mm	4.160	4.404	4.872	5.374	5.872	6.372	6.852	7.872	8.874
	retracted height altezza chiusa	mm	1.375	1.455	1.545	1.635	1.745	1.845	1.945	2.165	2.375
	weight peso	kg	21,3	22	23,1	24,4	25,7	27	28,1	30,7	33,3
	max. top load max. peso in testa	kg	60	60	60	50	50	50	45	40	40
	max. allowed wind speed max. velocità del vento ammessa	km / h	135	130	125	130	125	115	125	115	100
	with max. surface / con area max.		0,7 m <sup>2</sup>			0,5 m <sup>2</sup>			0,3 m <sup>2</sup>		
max. air pressure / max. pressione dell'aria		2,5 kg / cm <sup>2</sup> (bar)									
Ø top section / Ø tubo finale		64 mm									

Mod. STANDARD Ø 115 mm		6 sections with internal cable 6 sfili con cavo interno									
CS 36		01	02	03	04	05	06	07	08	09	
Code N	extended height altezza estesa	mm	3.647	4.209	5.047	5.847	6.887	7.987	9.186	10.227	10.932
	retracted height altezza chiusa	mm	1.194	1.294	1.444	1.604	1.779	1.979	2.179	2.369	2.494
	weight peso	kg	20,2	21,6	23,5	25,4	27,9	30,5	33,3	35,7	37,4
	max. top load max. peso in testa	kg	45	45	45	45	45	40	40	35	35
	max. allowed wind speed* max. velocità del vento ammessa*	km / h	140	135	120	120	105	105	90	150	140
	with max. surface con area max.		0,7 m <sup>2</sup>			0,5 m <sup>2</sup>		0,3 m <sup>2</sup>		1 m <sup>2</sup>	
max. air pressure max. pressione dell'aria		3 kg / cm <sup>2</sup> (bar)									
Ø top section Ø tubo finale		51 mm									

# TECHNICAL LAYOUT

A/B (mm)  
 4 sections 156/182  
 5 sections 189/215  
 6 sections 222/248  
 7 sections 255/281

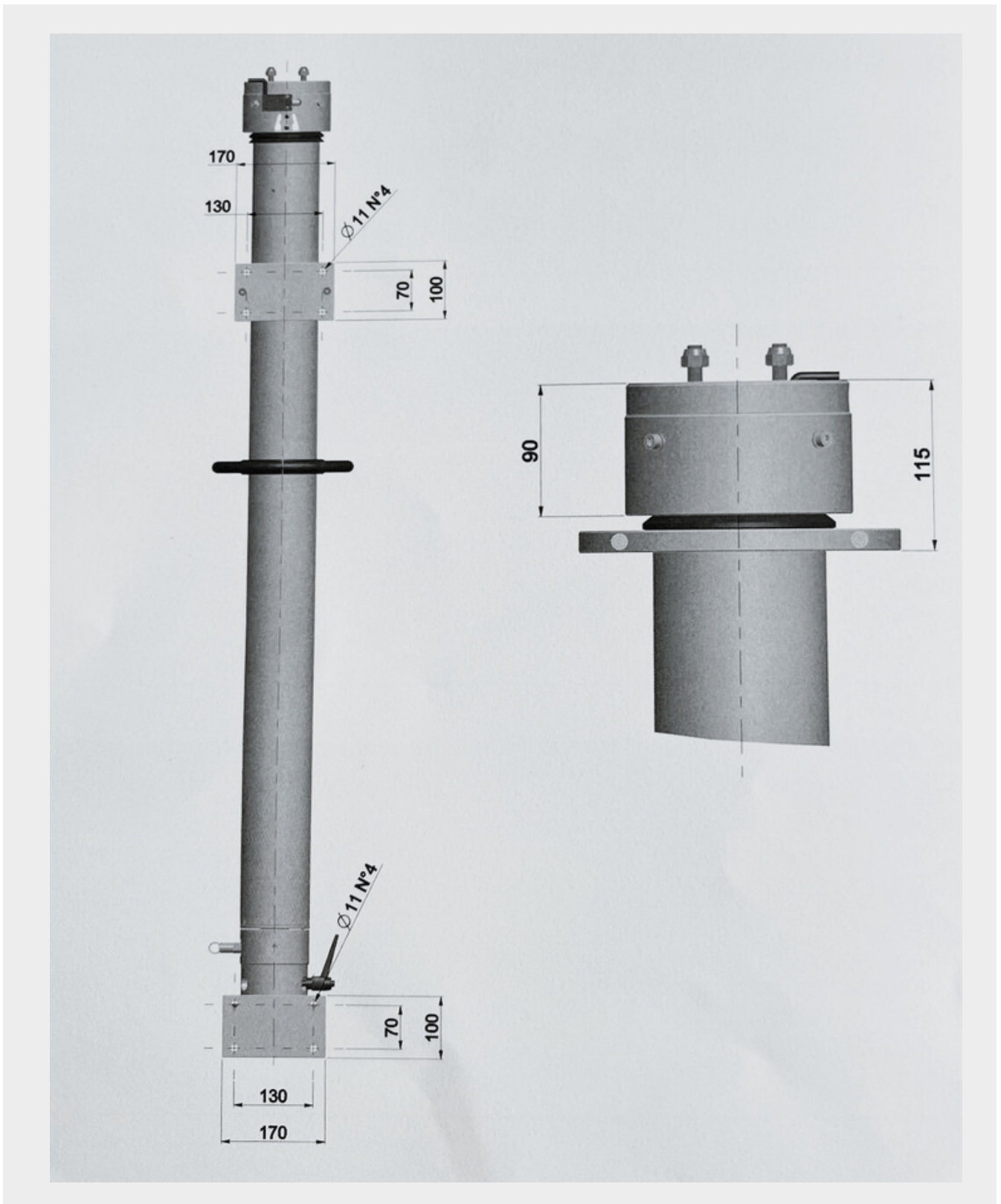




## COMPACT VERSION

The Partner masts can also be made in the COMPACT VERSION, when a shorter retracted height is needed. The Compact version permits to have approx. the same extended height as the normal Partner mast, but with a shorter retracted height. Let's make an example: Partner mast Standard CS.3434.N – extended height 4.355 mm and retracted height 1.581mm. The Compact version of this mast will have an extended height of 4.439 mm but a retracted height of only 1.531 mm. The first number 3 in the code of the mast will be replaced by an 8 and the number 4 with a 9.

In our example the code of the mast will become CS.8434.N.



## GALLERY Light | Medium





## ACCESSORIES

---

The Partner telescopic masts can be equipped with a wide range of accessories and devices, in order to satisfy every operational need: LED lamp units, with high efficiency and light power, tilt & turn systems able to direct the light beams to the desired spot in an easy way, thanks to remote controls.

Fireco also offers medium and small sized compressors which, thanks to their compactness and functionality, prove to be an optimal solution for quickly and safely extend the pneumatic telescopic masts. Equally useful are the pneumatic controls for the air supplied by the vehicle's brake system. A multifunction kit, specifically designed for this type of masts, allows you to control all the functions in a simple and intuitive way with one single remote control.



# FLOODLIGHTS LZ

The floodlights designed and developed by Fireco allow telescopic masts to be completed with high-quality lighting to provide firefighters or rescue workers with the best available support. They can be mounted on a Tilt & Turn unit directly or on the mast head, if required, also in a 360° top side position (i.e. 3 floodlights mounted at 120° or 4 floodlights at 90°).

The latest series of floodlights with LED technology developed by Fireco are the LZ LEDs which offer an excellent mix of energy-efficient performance and great light output. They are available in 50W, 80W, 100W, 200W, 300W or 400W versions and with 60° or 90° light beams.



## LZ 50 W

## LZ 80 W

LZ 50 W	NEW		FEATURES	
	Consumption	50 W		
	Power supply	12 to 40 Vdc		
	Power absorption	4,16 A- 1,25 A		
	Color temperature	5000 K		
	Light flux	8800 LM		
	IP degree	IP 66		
	Weight	1,1 kg		
	Dimensions	128x148x70 mm		
	Operating temperature	-40°C to + 85°C		

LZ 80 W	NEW		FEATURES	
	Consumption	80 W		
	Power supply	12 to 40 Vdc		
	Power absorption	6,66 A - 2,00 A		
	Color temperature	5000 K		
	Light flux	11500 LM		
	IP degree	IP 66		
	Weight	1,1 kg		
	Dimensions	128x148x70 mm		
	Operating temperature	-40°C to + 85°C		

**LZ 100 W**

FEATURES	
Consumption	100 W
Power supply	12 to 24 Vdc - 130 to 230 Vac
Power absorption	8,3/4,13 A - 1,5/0,75 A
Color temperature	5000 K
Light flux	17600 LM
IP degree	IP 66
Weight	3 kg
Dimensions	348x161x96 mm
Operating temperature	-40°C to + 85°C

**LZ 100 W**

**LZ 200 W**

FEATURES	
Consumption	200 W
Power supply	12 to 24 Vdc - 130 to 230 Vac
Power absorption	16,7/8,3 A - 1,5/7,5 A
Color temperature	5000 K
Light flux	35200 LM
IP degree	IP 66
Weight	5,8 kg
Dimensions	362x224x142 mm
Operating temperature	-40°C to + 85°C

**LZ 200 W**




### LZ 300 W



LZ 300 W

#### FEATURES

Consumption	300 W
Power supply	12 to 24 Vdc - 130 to 230 Vac
Power absorption	25/12,5 A - 1,5/0,75 A
Color temperature	5000 K
Light flux	52800 LM
IP degree	IP 66
Weight	7,6 kg
Dimensions	517x224x142 mm
Operating temperature	-40°C to + 85°C

### LZ 400 W



LZ 400 W

#### FEATURES

Consumption	400 W
Power supply	12 to 24 Vdc - 130 to 230 Vac
Power absorption	33/16,6 A - 1,5/0,75 A
Color temperature	5000 K
Light flux	70400 LM
IP degree	IP 66
Weight	10,8 kg
Dimensions	674x224x142 mm
Operating temperature	-40°C to + 85°C

# FLOODLIGHTS DUO LZ

Natural evolution of the LZ, the **Duo LZ** floodlights are Fireco's most complete LED lighting solution. It allows operators to adapt the lighting to the environmental conditions of the operating site by switching between two different color temperatures: a classic white daylight (5700 K) or a warmer selective yellow light (2700 K).

Especially suitable for foggy or snowy environments, the yellow light will help to avoid the effects of glare. Whatever the weather, the Duo LZ is ready to guarantee the best visibility in every situation.



## DUO LZ 100 W

## DUO LZ 200 W

FEATURES	
Consumption	100 W
Power supply	12 to 40 Vdc
Power absorption	8,3/4.15 A- 1.5/0.75 A
Color temperature	2700 K / 5700 K
Light flux	8000 LM/ 8900 LM
IP degree	IP 66
Weight	3 kg
Dimensions	348x161x96 mm
Operating temperature	-40°C to + 85°C

FEATURES	
Consumption	200 W
Power supply	12 to 40 Vdc
Power absorption	16,7/8,3 A
Color temperature	2700 K / 5700 K
Light flux	18700 LM / 20370 LM
IP degree	IP 66
Weight	6,5 kg
Dimensions	362X224X142 mm
Operating temperature	-40°C to + 85°C

DUO LZ 100 W

DUO LZ 200 W



## TILT UNIT

---

The Partner pneumatic masts can be equipped with a Tilt unit 12V or 24V

## TILT UNIT STANDARD

---

The tilt unit Standard permits to tilt the equipment approximately 100° and can withstand a max. top load of 30kg. The motor can be mounted either horizontally or vertically. The system weights 7 kg

Vertically mounted

- TL.31521 = Tilt Standard 12V
- TL.31522 = Tilt Standard 24V

Horizontally mounted

- TL.31531 = Tilt Standard 12V
- TL.31532 = Tilt Standard 24V



## TILT UNIT ECO

---

The dimensions are compact and the weight is only 4 kg. With a tilt angle of 310°, it can mount small lamp units such as 4 LED 50W lights with compact mounting brackets (maximum top load of 10kg for 4 headlights). It can be equipped with a simple remote control for tilt or with a complete multifunction remote control (the electronic board will be mounted on the base of the mast).

- TL.31600 = Tilt Eco 12V
- TL.31601 = Tilt Eco 24V



## TILT & TURN UNIT

---

The telescopic masts can be equipped with our devices, designed to provide a flexible illumination in various emergency scenarios. The main product is the Tilt & Turn unit: a reactive positioning system for tilting and turning the floodlights, in order to direct the light beam where necessary. The Tilt & Turn units are available in different versions in order to provide a solution to different requirements, by granting always reduced weight and dimensions and giving great versatility.

The Tilt & Turn units can be controlled with remote controls using the RS485 communication protocol. The remote controls are available in the versions with cable, radio or in the Smart version which allows both wired and radio use and which is equipped with rechargeable batteries. In order to communicate with the most complex and standardized protocols worldwide, the system can also be controlled via CANbus, especially in its FireCAN version specifically dedicated to fire-fighting applications.

## TILT & TURN SPARK 2 -3 MOTORS

---

Compact and easy to use with a maximum top load of 60 kg. Available 12V and 24V, it is suitable for the most common applications. It can be supplied with a pair of connectors for each floodlight and it is available with two or three actuators in order to turn the mounted accessories and to tilt them simultaneously (with 2 motors) or separately (with 3 motors). All functions are controlled via multifunction remote control (available wired, radio and Smart). The T&T Spark has an IP65 protection rating.



### Version 2 motors

- weight 10 Kg
- load 20+20 Kg

### Version 3 motors

- weight 12 Kg
- load 25+25 Kg

### Electric ratings

- supply voltage 12-24 VCC
- gearmotor max power 72 W\*
- gearmotor max current 6/3 A\*

\* This data refers to a single actuator; depending on the TT unit version (2 or 3 actuators) the total power will be twice or three times the indicated value.



## TILT & TURN SPARK PLUS 2 -3 MOTORS

The Tilt & Turn Spark Plus system is able to rotate and tilt loads with weights 60% higher than those supported by the Spark version, allowing the quantity of floodlight that can be installed to be increased, thus increasing the illuminating power, while maintaining the small and compact dimensions of the Spark solutions.

The superior performance derives from the increase in power and the overall structure of the two tilting actuators, a new electronic board allows you to drive more powerful motors through the same RS485 control interface and multifunction remote controls.



### Version 2 motors

- weight 12 Kg
- load 35+35 Kg

### Version 3 motors

- weight 14 Kg
- load 45+45 Kg

### Electric ratings

- supply voltage 12-24 VCC
- gearmotor max power 290 W\*
- gearmotor max current 24/12 A\*

\* This data refers to a single actuator; depending on the TT unit version (2 or 3 actuators) the total power will be twice or three times the indicated value.

	TT Spark	TT Spark Plus
Width (end of shafts)	300 mm	300 mm
Height	269 mm	269 mm
Depth	196 mm	196 mm
Weight (2 mot. version)	10 Kg	12 Kg
Payload (2 mot .version) *	50 Kg (25 +25)	70 Kg (35+35)
Weight (3 mot. version)	12 Kg	14 Kg
Payload (3 mot .version) *	60 Kg (30+30)	90 Kg (45+45)
Turn angle	365°	365°
Tilt angle	365°	365°

\*Resistance to payload calculated considering center of gravity at 0,5 m from mast vertical axis

## INSIDE FOCUS SYSTEM ON TILT & TURN SPARK

---

The Inside Focus System allows you to mount on the tilt and turn unit a motorized lamp unit with LED lights, for increasing or focusing the lighting beam angle (+46°/-4°).

The unit allows you to turn and tilt the floodlights 365°, furthermore you can move the arms -4° and +46° like shown in the pictures.



This will permit you to illuminate a wide area and to direct the lighting beam to the required direction. All the functions of this unit can be controlled by one multifunctional remote control.





## COMPRESSORS



**AI.32011**

**230V**

**AI.32005**

Coaxial oil-less air compressor 230V 180 lt/1' – max. pressure 8 bar – weight 5 kg.  
Dim. L 400 x H 230 x W 370 mm

**AI.32011**

Coaxial air compressor lubricated, single phase 230V – 5,0 A – 1,1 kW – 185 lt/1' – max pressure 8 bar – weight 14 kg dB – A 80 with 6 lt tank  
Dim. L 320 x H 440 x W 260 mm

**AI.32011.RC**

Coaxial lubricated air compressor , single phase 230V – 5,0A – 1,1 kW – 185 lt/1' – max pressure 8 bar – weight 14 kg dB – A 80 – with 6 lt tank and remote control  
Dim. L 320 x H 440 x W 260 mm

**AI.32091**

Air compressor 230V – 50 lt/1' – STPV - weight 3,5 kg  
Dim. L 230 x H 170 x W 135 mm

**AI.32092**

Air compressor 230V – 50 lt/1' – STPV/AB – with remote control and pressure switch - weight 5 kg  
Dim. L 230 x H 170 x W 135 mm



**AI.32141**

**12/24V**

**AI.32121**

Air compressor ST 12V – 50 lt/1' – 13,5 A - weight 3,5 kg  
Dim. L 230 x H 170 x W 135 mm

**AI.32122**

Air compressor ST 24V – 50 lt/1' – 7 A - weight 3,5 kg  
Dim. L 230 x H 170 x W 135 mm

**AI.32131**

Air compressor STPV 12V – 50 lt/1' – 13,5 A with pressure switch and non return valve - weight 4 kg  
Dim. L 230 x H 170 x W 135 mm

**AI.32132**

Air compressor STPV 24V – 50 lt/1' – 7 A – with pressure switch and non return valve - weight 4 kg  
Dim. L 230 x H 170 x W 135 mm

**AI.32141**

Air compressor STPV-AB 12V – 50 lt/1' – 13,5 A with remote control - weight 5 kg  
Dim. L 230 x H 170 x W 135 mm

**AI.32142**

Air compressor STPV-AB 24V – 50 lt/1' – 7 A with remote control - weight 5 kg  
Dim. L 230 x H 170 x W 135 mm

**AI.32141.M**

Air compressor STPV-AB 12V – 50 lt/1' – 13,5 A with remote control and spring - weight 5 kg  
Dim. L 230 x H 170 x W 135 mm

**AI.32142.M**

Air compressor STPV-AB 24V – 50 lt/1' – 7 A with remote control and spring - weight 5 kg  
Dim. L 230 x H 170 x W 135 mm

## COMPRESSORS

---

### STREAM



#### **AI.32180**

Air compressor Stream 230V - 450 W - weight 8.5 Kg 145 lt/1'  
Dim. L 326 X H 289 x W 164 mm

#### **AI.32180\_24**

Air compressor Stream 24V - 450 W - weight 8.5 Kg 145 lt/1'  
Dim. L 326 X H 289 x W 164 mm

#### **AI.32180\_12**

Air compressor 12V - 450 W - weight 8.5 Kg 145 lt/1'  
Dim. L 326 X H 289 x W 164 mm

#### **AI.32178/\_12/\_24**

STPV-AB with pressure switch, non return valve and remote control - weight 8.5 Kg 145 lt/1'  
Dim. L 326 X H 289 x W 164 mm

---

## AIR COMPRESSOR FOR MULTIFUNCTION SYSTEM

---

#### **AI.32921**

Air compressor 12V 50 lt/1' for multifunctional system  
Dim. L 230 x H 170 x W 135 mm

#### **AI.32801**

Air compressor 230V - 179 lt/1' - only for multifunctional system  
Dim. L 310 x H 325 x W 205 mm

#### **AI.32922**

Air compressor 24V 50 lt/1' for multifunctional system  
Dim. L 230 x H 170 x W 135 mm



## PNEUMATIC CONTROL BOARD

The pneumatic control board is designed for the mast extension and retraction and is required when you use the air from the vehicle's air system, a compressed air cylinder or a compressor without pressure control.



### PC.33211

Pneumatic control block with pressure regulator

### PC.33212

Pneumatic control block with pressure regulator and spring

### PC.33213

Pneumatic control block with pressure regulator and spring only for extension

### PC.33221

Pneumatic control block pressure regulator and dry filter

### PC.33222

Pneumatic control block with pressure regulator, dry filter and spring

### PC.33223

Pneumatic control block with dry filter and spring for extension only

## ELECTRICAL SPIRALED CABLES

FIRECO has a wide range of electrical cables which can be mounted inside the telescopic masts. The spiraled cables provide power, video signals and data transmission to the devices mounted on top of the mast. This internal solution provides a much longer lifetime than the external cable solution and is much lighter.

Furthermore there is no need of additional labour and space otherwise needed for the external cable. The cables are specifically manufactured for the masts and have therefore special characteristics. In the range there are also several coaxial cables, fiber optics and a CAT 5/6 wires in order to mount cameras and other measurement equipment.

Code	Description mm
B	4 x 1,5
H	5x1 + 4x0,5
D	7 x 1,5
I	8x1 + 4x0,5
N2	5x2,5 + 6x0,6
P	5x1,3 + 13x0,5
V2	11x1,5 + 8x0,6
Z	9x1,5+13x0,22
I2	8x1 + 4x0,5 + 1 COAX 75 OHM + 2 COAX 50 OHM

Code	Description mm
ZXS	11x1,5 + (2x1,5SCH) + 7x0,6 + COAX 75 OHM +2 (RILS 6x4)
U2	9x0,5+7x1,3+(2x20 AWG)ST + (2x18 AWG) ST + 1 MICRO COAX 75 OHM
Z2	9x2,5 + 2x1 + 2x0,5 + 8x0,22
Z3	10x2,5 + 3x1 + 2x0,5 + (8x0,25)
L2	3 x CAT5E + 3 x 1,5 + 2 x 2,5 + 4 x 0,5
T	13x1,5+14x0,35
M	8x1,5 + 4x4x24 AWG + 1x2,5 + 8 COAX 75 OHM
U3	2 MICRO COAX 75 OHM +2 x F/UTP cat.5 + 6x18 AWG + 4 FIBER OPTICS 50/125
L4	7G1,5 + 3x2x0,75 + 7x0,34 mm <sup>2</sup> + (4x2x24AWG) SF/UTP Cat.6
US	1 Cat 5e + 1 75-OHM COAX + 8 18 AWG + 4 24 AWG + 1 50-OHM COAX

## MOUNTING ACCESSORIES



### ROUND ROOF BRACKET

BK.30004= for mast Ø 90 mm  
BK.30006= for mast Ø 115 mm



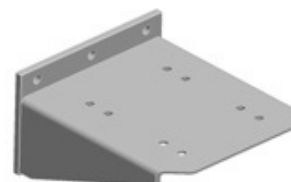
### SQUARE ROOF BRACKET

BK.30055= for mast Ø 90 mm  
BK.30056= for mast Ø 115 mm



### UPPER FIXING BRACKET

BK.30204= for mast Ø 90 mm  
BK.30206= for mast Ø 115 mm



### LOWER FIXING BRACKET

BK.30104= for mast Ø 90 mm  
BK.30106= for mast Ø 115 mm



## MULTIFUNCTIONAL KIT

---

The Fireco **multifunction kit** offers to the customers a mast with a complete and functional equipment. This kit meets the needs of the most demanding customers who wish to have all the functions of the telescopic mast in "one single package", allowing the control of all functions with a single system. The multifunction remote control, which communicates with the integrated electronic board, allows you to control all the functions of the unit through a simple and user-friendly interface. Thanks to the latest technologies in the automotive sector, simple and safe connections to the vehicle system have been designed using dustproof and watertight connectors, making things easier for body builders and after-sales service.

## MULTIFUNCTION CONFIGURATION

---

### 1. TELESCOPIC MAST

The pneumatic telescopic mast is the backbone of the entire multifunctional kit. It can support the entire lighting system consisting of a Tilt & Turn unit and floodlights powered by plug'n play connectors. There are multiple mast models, divided into SMALL, MEDIUM and LARGE based on diameters and specific characteristics.



### 2. LAMP UNITS

In addition to the mast, the essential elements are the floodlights that can be mounted on a Tilt & Turn unit (T&T, Inside Focus or Illuminator) or directly on the 360° head. They are all equipped with LED components with great efficiency, low voltages, and reduced energy consumption with high light intensity.



### 3. TILT & TURN UNITS

Fireco Tilt & Turn units have become a standard in combination with Partner masts. The system is safe, reliable and easily manageable, and allows you to tilt and rotate the floodlights from 0 to 365°. The product is available in different versions, which can carry different payloads and can have simultaneous or independent tilting of the floodlights.



#### 4. REMOTE CONTROL FOR ALL FUNCTIONS

The FIRECO multifunctional remote control permits you to control ALL the functions of the mast with just one remote control. The remote control is easy and safe to use, thanks to the automatic block of the keypad and easy to understand functions. The mast with the multifunctional remote control is supplied with an electronic board and an electrovalves group.

### REMOTE CONTROL WITH TILT AND TURN



#### RC.31746

Multifunctional remote control for mast extension/retraction, tilt & turn of the floodlights, on/off switching of floodlights, automatic restore – ergonomic, with protection cover and 4 m spiralled cable.

Available also radio (RC.31747\_1)



#### RC.31748

Multifunctional remote control for mast extension/retraction, turn & independent tilting of the floodlights, on/off switching of floodlights, automatic restore – ergonomic, with protection cover and 4 m spiralled cable.

Available also radio (RC.31749\_1)



#### RC.31766

Multifunctional remote control for mast extension/retraction, tilt & turn of the floodlights, single on/off turning of four floodlights, automatic restore – ergonomic, with protection cover and 4 m spiralled cable.

Available also radio (RC.31767\_1)



#### RC.31756\_596

SMART Multifunctional remote control for mast extension/retraction, tilt & turn of the floodlights, on/off switching of floodlights, automatic restore – ergonomic, with protection cover and 4 m spiralled cable – USABLE WITH AND WITHOUT CABLE – switches automatically to the radio mode as soon as the cable is detached – with rechargeable batteries – back-lit keypad

Available also radio for 3 motors version (RC.31758\_596)



## REMOTE CONTROLS FOR MASTS WITHOUT TILT AND TURN



### RC.31742

Multifunctional remote control for mast extension/retraction, single on/off switching of 4 floodlights, automatic restore – ergonomic, with protection cover and 4mt spiralled cable

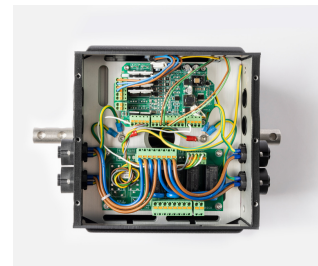
Available also radio (RC.31745\_1)

### 5. ELECTRONIC BOARD

The multifunctional system is controlled by a double layer electronic board mounted inside the tilt & turn unit.

The main features

- Protection against external interferences
- Input Voltage Range - from 9 to 36 VDC
- Protection against higher voltage peaks
- Protection against short circuits on the tilt & turn motors
- Protection against short circuits on the electro-valves
- Storage of all vital data for operation into the microprocessor storage, like airplane black-boxes
- Warning LEDs on the remote control
- 2.4 GHZ radio module for quicker radio data transmission without interferences



### 6. MICRO - SWITCH

The function of the micro switch is to signal when the mast is extended. The customer can connect it to visual or audio signal inside the cabin, in order not to drive with a still extended mast. Furthermore the automatic restore function can also be connected to the hand brake system, so that by releasing the hand brake, the mast will return automatically to the “home” position.



## 7. ELECTROVALVES GROUP

The solenoid valve unit is used to ensure the electronic extension and retraction of the mast. It is made of anodized Aluminum and it works from 12 V DC to 230 AC, so it is very adaptable. Furthermore it can be easily remoted to another position.

The solenoid valve unit can be placed in two different positions, depending on the costumers' needs: with the coils one opposite to the other or, for a more space-saving configuration, with the coils positioned parallel.

- A)** Extension Regulator
- B)** Fixing Screws M4/M5



## 8. CONNECTORS FOR FLOODLIGHTS

The floodlights are connected to the tilt & turn unit Spark by quick connectors, so that the connection (as well as replacement or removal for maintenance) of the floodlight will be quick and easy; furthermore, it is robust, safe and waterproof (IP67 rating)



## 9. AUTOMOTIVE CONNECTORS (optionals)

Automotive connectors allow for quick and safe installation.





## **Credits**

Copyright 2023- FIRECO - All rights reserved

---

---

**ITALIAN HEADQUARTERS**

---

**Fireco S.r.l.**

Via E.Fermi, 56  
25064 GUSSAGO (BS) - ITALY  
Tel.:+39 030 3733916  
Fax:+39 030 3733762  
info@fireco.eu  
www.fireco.eu

FIRECO.EU



---

**BELGIUM**

---

**Fireco Systems N.V.**

Diestersteenweg, 142  
3510 KERMT (HASSELT) - BELGIUM  
Tel.:+32 11851602  
Fax:+32 11851604  
info@fireco.be  
www.fireco.be

---

**FRANCE**

---

**Euromast S.a.r.l.**

101 Rue Louis Armand  
73420 MERY - FRANCE  
Tel.:+33 479349215  
Fax:+33 479349216  
fireco@euromast.fr  
www.euromast.fr

---

**SPAIN**

---

**Hisfamast S.L.**

C/Estaño, 30  
28510 CAMPO REAL (MADRID) - SPAIN  
Tel.:+34 918733733  
Fax:+34 918765141  
info@hisfamast.com  
www.hisfamast.com

---

**USA**

---

**Fireco US**

1740 N Gateway Blvd  
FRESNO, CA 93727 - USA  
Tel.: +1 559 353-2823  
Fax.: +1 559 255-7012  
info@firecousa.com  
www.firecousa.com

---

**MALAYSIA**

---

**Fireco Asia Sdn Bhd**

9, Jalan TP 3/2, Taman Perindustrian UEP  
47620 SUBANG JAYA - MALAYSIA  
Tel.:+603 8011 2300  
Fax:+603 8081 2367  
gc@fireco-asia.com  
www.fireco-asia.com

---

**AUSTRALIA**

---

**EVTA Group PTY LTD**

12 Meek Street,  
NEW GISBORNE, VICTORIA, 3438 - AUSTRALIA  
Tel.:+61 354207444  
Fax:+61 354207834  
info@evtagroup.com.au  
www.evtagroup.com.au

---

**MOROCCO**

---

**Euro -Fireco**

Résidence les jardins Al Noamane  
Rue Izdihar, Bouskoura,  
Casablanca - MOROCCO  
Tel.:+212 5220-66343  
info@euro-fireco.com  
www.euro-fireco.com