

THE NETHERLANDS
(N E D E R L A N D)**COMMUNICATION**Concerning⁽¹⁾:

- ~~approval granted~~
- approval extended
- ~~approval refused~~
- ~~approval withdrawn~~
- ~~production definitely discontinued~~

of a type of tyre with regard to 'rolling sound emission level' and/or 'adhesion performance on wet surfaces' and/or 'rolling resistance' pursuant to Regulation number 117.

Approval number: E4-117R-026895 S2WR2**Extension number: 08**

1. Manufacturer's name and address : Shandong XingHongYuan Tyre Co., Ltd.
LinGong Road, MengYin Economic
Development Zone, 276200 LinYi City,
ShanDong Province, China(PRC)
2. If applicable, name and address of
manufacturer's representative : Not applicable
3. 'Tyre class' and 'category of use' of
the type of tyre : Class C1/ ~~Class C2/Class C3~~
Normal/ snow/(snow tyre for use in serve
eonditios)/special
- 3.1. Snow tyre for use in severe snow
conditions : yes/no⁽¹⁾
- 3.2. Traction tyre : yes/no⁽¹⁾
4. Tyre type designation :
- 4.1. Brand name(s)/trademark(s) of the
type of tyre : HILO or ANNAITE or ANCHEE or FULLRUN
or AUTOGRIP
- 4.2. Trade description(s)/Commercial
name(s) of the type of tyre : GENESYS XP1 or AN 900 or AN 658 or FRUN-
ONE or GRIP1000

5. Technical service and, where applicable, test laboratory approved for purposes of approval or of verification of conformity tests : TÜV SÜD Auto Service GmbH
Westendstraße 199
D-80686 München
6. Performance(s) approved : sound level at (~~stage 1~~/stage 2)⁽¹⁾, wet adhesion level, rolling resistance level (~~stage 1~~/stage 2)⁽¹⁾
- 6.1. Sound level of the representative tyre size (225/55R16 99W XL), see Paragraph 2.5. of Regulation number 117, as per item 7. of the test report in the appendix 1 to Annex 3: 70 dB(A) at reference speed of ~~70~~80 km/h⁽¹⁾.
- 6.2. Wet adhesion level of the representative tyre size (165/70R13 79T), see Paragraph 2.5. of Regulation number 117, as per item 7. of the test report in the appendix to Annex 5: 1.50 (G) using the ~~vehicle or trailer~~ method⁽¹⁾.
- 6.3. Rolling resistance level of the representative tyre size (165/70R13 79T), see paragraph 2.5. of Regulation number 117, as per item 7. of the test report in the appendix 3 to Annex 6: 9.495 N/kN.
- 6.4. Snow grip level of the representative tyre size, see paragraph 2.5. of Regulation No. 117, as per item 7. of the test report in the appendix⁽²⁾ to Annex 7: ... (Snow grip index) using the brake on snow method⁽¹⁾, spin traction method⁽¹⁾ or acceleration method⁽¹⁾.
7. Number of report issued by that service : 86-R117-0394/17-00;
17-00913-CX-SHA-00;
17-00913-CX-SHA-01;
17-00913-CX-SHA-02;
17-00913-CX-SHA-03
8. Date of report issued by that service : 2017-01-19;
2017-07-11;
2017-10-26;
2018-02-09;
2019-06-06
9. Reason(s) of extension (if applicable) : Additional tyre sizes
10. Any remarks : ---



11. Place : Zoetermeer
12. Date : 27 June 2019
13. Signature :



L. Vellekoop

14. Annexed to this communication are:
- 14.1. A list of documents in the approval file deposited at the Type Approval Authorities having delivered the approval and which can be obtained upon request⁽³⁾.
- 14.2. A list of tyre size designations: Specify for each brand name/trademark and/or each trade description/Commercial name the list of tyre size designations, adding in case of Class C1 tyres the mark 'reinforced' (or 'extra load') or the speed symbol of snow tyres or in the case of tyres of Classes C2 and C3, the mark 'traction', if so required by paragraph 3.1. of this Regulation.

⁽¹⁾ Strike out what does not apply.

⁽²⁾ Appendix 2 for C1 and C2 tyres.
Appendix 3 for C3 tyres.

⁽³⁾ In the case of 'snow tyre for use in severe snow conditions' a test report according to Appendix 2 of Annex 7 shall be submitted.



Technical Report No.: 17-00913-CX-SHA-03
 Manufacturer: Shandong XingHongYuan Tyre Co., Ltd.
 Type: GENESYS XP1

TECHNICAL REPORT

No.: 17-00913-CX-SHA-03

Uniform provisions concerning the approval of pneumatic tyres with regard to rolling sound emissions and/or to adhesion on wet surfaces and/or to rolling resistance

ECE R117

Including all amendments up to

02 Supplement 9

Approval status		
<input type="checkbox"/>	Granting of a type approval	---
<input checked="" type="checkbox"/>	Extension/correction to type approval no.	E4-117R-026895-08 S2WR2

I. General information

- 0.1. Trade marks: HILO or ANNAITE or ANCHEE or FULLRUN or AUTOGRIP
- 0.2. Tread patterns: GENESYS XP1 or AN 900 or AN 658 or FRUN-ONE or GRIP1000
- 0.3. Manufacturer's name and address: Shandong XingHongYuan Tyre Co., Ltd.
 LinGong Road, MengYin Economic Development Zone, 276200 LinYi City, ShanDong Province, China(PRC)
- 0.4. Name and address of representative: Not applicable
- 0.5. Tyre class: C1/C2/C3
- 0.6. Category of use: Normal/snow (snow tyre for use in severe snow conditions)/special





Technical Report No.: 17-00913-CX-SHA-03
 Manufacturer: Shandong XingHongYuan Tyre Co., Ltd.
 Type: GENESYS XP1

II. Test record

1./ 2. Test conditions/ Test results

The extension has no negative influence to test results mentioned in approval with No.: E4-117R-026895 S2WR2 Ext.07 and the relevant test report with No.17-00913-CX-SHA-02 was issued by TÜV SÜD Auto Service GmbH. Therefore, the test results are remaining valid.

3. Place and date of the test: Shanghai, P.R. China
 2019-06-06 (yyyy-mm-dd)

III. Enclosures

1. Annex 1: List of modification
2. Information document No. XP1-08 dated 2019-05-19 (yyyy-mm-dd)

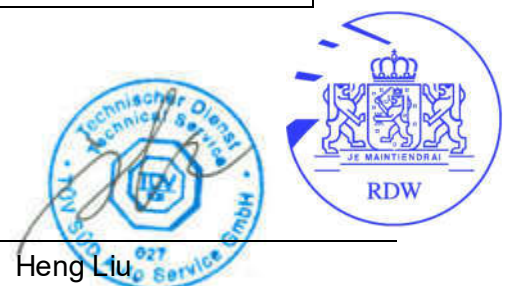
IV. Statement of conformity

The information folder as mentioned under No. III and the type described therein are in compliance with the test specification mentioned above. The worst-case was selected in accordance with document "Preparation of Test Reports".
 The test report may be reproduced and published in full and by the client only. It can be reproduced partially with the written permission of the test laboratory only.

TÜV SÜD Auto Service GmbH is designated as Technical Service by:

Approval authority	Country	Registration-number
Kraftfahrt-Bundesamt (KBA)	Germany	KBA-P 00100-10
Vehicle Certification Agency (VCA)	United Kingdom	VCA-TS-006
Approval Authority of the Netherlands (RDW)	The Netherlands	RDWT-082-xx
National Standards Authority of Ireland (NSAI)	Ireland	Technical Service Number: 49
Vehicle Safety Certification Center (VSCC)	Taiwan	DE04-06-2

München, 2019-06-06
 (yyyy-mm-dd)



Heng Liu



Technical Report No.:	17-00913-CX-SHA-03	Annex 1
Manufacturer:	Shandong XingHongYuan Tyre Co., Ltd.	
Type:	GENESYS XP1	Page 1 / 1

Annex 1

List of modification

Correction of:	---
Modification of:	---
Addition of:	Tyre sizes
Deletion of:	---



Information Document: No. XP1-08

APPLICATION FOR EXTENSION APPROVAL OF TYRES WITH REGARD TO ROLLING SOUND EMISSION AND TO ADHESION ON WET SURFACES AND TO ROLLING RESISTANCE ACCORDING TO REGULATION R117, 02 SERIES OF AMENDMENTS

- 1.1. The performance characteristics to be assessed for the tyre type : Rolling sound emissions level and/or adhesion performance level on wet surfaces and/or rolling resistance level ~~and/or snow performance level~~
- 1.2. Manufacturer's name : Shandong XingHongYuan Tyre Co., Ltd.
- 1.3. Name and address of applicant : Shandong XingHongYuan Tyre Co., Ltd.
LinGong Road,
MengYin Economic Development Zone,
276200 LinYi City, ShanDong Province,
China(PRC)
- 1.4. Address(es) of manufacturing plant(s) : The same as the applicant
- 1.5. Brand name(s)/trademark(s), trade description(s)/commercial name(s) : HILO or ANNAITE or ANCHEE or FULLRUN or AUTOGRIP
GENESYS XP1 or AN 900 or AN 658 or FRUN-ONE or GRIP1000
- 1.6. Tyre class : Class C1 / ~~Class C2 / Class C3~~
- 1.6.1. Section width range for class C1 tyres : See attached "list of tyre sizes"
- 1.7. Tyre structure : ~~Diagonal / Bias belted~~ / Radial*
- 1.8. State whether
- 1.8.1 For Class C1 tyres
- 1.8.1.1 Reinforced (or extra load) in case of approval with regard to rolling sound emission level : See attached "list of tyre sizes"
- 1.8.1.2 Speed category symbol "Q" or below (excluding "H") or "R" and above (including "H") in case of "snow" tyres for approval with regard to adhesion on wet surfaces : Not applicable
- 1.8.2 For Classes C2 and C3 tyres
- 1.8.2.1 M+S marked in case of approval with regard to rolling sound emission level at stage 1 : Not applicable
- 1.8.2.2 Traction in case of approval with regard to rolling sound emission level : Not applicable

* strike out what does not apply



at stage 2

- 1.9. Category of use : Normal / Special / Snow/Snow tyre for use in severe snow conditions *
- 1.10. A list of tyre size designation covered by this application : See attached "list of tyre sizes" (page 3 , 4 of 9)
- 2.1. Details of major features, with respect to the effects on the performance. (i.e. rolling sound emission level, adhesion on wet surfaces, rolling resistance and snow grip) of the tyres, including the tread pattern, included in the designated range of tyre sizes. This may be drawing, photograph or description, but must be sufficient to allow the type approval authority or technical service to determine whether any subsequent changes to the major features will adversely affect the tyre performance. : See drawing No : Tread pattern
- 2.2. Drawing or photographs of the sidewall, showing the information given in paragraph 3.1.5. above and the approval marking referred to in paragraph 5. : See drawing No : Drawing of the sidewall
- 3.1 Extension reasons : Additional tyre sizes
- 3.2 Date of the information document : 2019-5-19

Manufacture's stamp

Signature:

Name: Zhu Zuoyong



This application is accompanied by:

- List of tyre sizes.
- Drawing of tread pattern.
- Drawing of the side wall of the tyre.
- The test report.





LIST OF TYRE SIZES

Brand name or trade mark: HILO or ANNAITE or ANCHEE or FULLRUN or AUTOGRIP

Tread pattern: GENESYS XP1 or AN 900 or AN658 or FRUN-ONE or GRIP1000

Size	Approval No.	Limit for rolling sound dB(A) of Stage II	Limit for wet grip index(G)	Limit for rolling resistance coefficient (N/kN) of Stage II
155/65R13 73T	0287098	70	1.1	10.5
155/70R13 75T	0288473	70	1.1	10.5
155/80R13 79T	0288471	70	1.1	10.5
165/65R13 77T	0288477	70	1.1	10.5
165/70R13 79T	0281559	70	1.1	10.5
165/80R13 83T	0288472	70	1.1	10.5
165/60R14 75H	0288480	70	1.1	10.5
165/65R14 79T	0288478	70	1.1	10.5
165/70R14 81T	0288474	70	1.1	10.5
175/60R13 77H	0291577	70	1.1	10.5
175/70R13 82T	0281560	70	1.1	10.5
175/65R14 82T	0292265	70	1.1	10.5
175/65R14 82H	0281562	70	1.1	10.5
175/70R14 84T	0288475	70	1.1	10.5
175/65R15 84H	0288479	70	1.1	10.5
185/70R13 86T	0281561	70	1.1	10.5
185/55R14 80H	0291580	70	1.1	10.5
185/60R14 82H	0288481	70	1.1	10.5
185/60R14 82T	0291582	70	1.1	10.5
185/65R14 86H	0281563	70	1.1	10.5
185/65R14 86T	0291584	70	1.1	10.5
185/70R14 88T	0281565	70	1.1	10.5
185/70R14 88H	0290227	70	1.1	10.5
185/55R15 82V	0281567	70	1.1	10.5
185/60R15 84H	0281569	70	1.1	10.5
185/65R15 88H	0281573	70	1.1	10.5
185/65R15 88T	0291589	70	1.1	10.5
195/60R14 86H	0281564	71	1.1	10.5
195/70R14 91T	0281566	71	1.1	10.5
195/70R14 91H	0291587	71	1.1	10.5
195/50R15 82V	0288485	71	1.1	10.5
195/55R15 85V	0281568	71	1.1	10.5
195/55R15 85H	0291588	71	1.1	10.5

195/60R15 88H	0281570	71	1.1	10.5
195/60R15 88V	0287581	71	1.1	10.5
195/55R16 87V	0288483	71	1.1	10.5
<u>195/60R16 89V</u>	02116594	71	1.1	10.5
195/65R15 91H	0281574	71	1.1	10.5
195/65R15 91V	0287582	71	1.1	10.5
205/75R14 95H	0293483	71	1.1	10.5
205/60R14 88H	0288482	71	1.1	10.5
205/60R15 91H	0281571	71	1.1	10.5
205/60R15 91V	0287583	71	1.1	10.5
205/65R15 94H	0281575	71	1.1	10.5
205/65R15 94V	0290230	71	1.1	10.5
205/70R15 96T	0281577	71	1.1	10.5
205/50R16 87V	0281579	71	1.1	10.5
205/50R16 87W	0287586	71	1.1	10.5
205/55R16 91V	0281582	71	1.1	10.5
205/55R16 91W	0291595	71	1.1	10.5
205/60R16 92H	0281584	71	1.1	10.5
205/60R16 92V	0290231	71	1.1	10.5
205/65R16 95H	0281587	71	1.1	10.5
215/60R15 94H	0281572	71	1.1	10.5
215/65R15 96H	0281576	71	1.1	10.5
215/70R15 98T	0281578	71	1.1	10.5
215/55R16 93V	0281583	71	1.1	10.5
215/60R16 95H	0286797	71	1.1	10.5
225/60R16 98H	0281586	71	1.1	10.5
175/65R14 86T XL	0290226	71	1.1	10.5
175/70R14 88T XL	02103829	71	1.1	10.5
185/60R15 88H XL	0290228	71	1.1	10.5
185/65R15 92T XL	02102895	71	1.1	10.5
195/65R15 95H XL	0290229	72	1.1	10.5
<u>195/50R16 88V XL</u>	02116595	72	1.1	10.5
195/55R16 91V XL	0291594	72	1.1	10.5
195/55R16 91W XL	02103830	72	1.1	10.5
205/70R14 98T XL	0288476	72	1.1	10.5
205/50R16 91W XL	02103832	72	1.1	10.5

Remark:

(1) The tread pattern may be named as GENESYS XP1 or AN 900 or AN658 or FRUN-ONE or GRIP1000, according to the manufacturer request.

For the tread pattern GENESYS XP1 or AN 900 or AN658 or FRUN-ONE or GRIP1000 with completely the same pattern designing.



185/75 R16C 104/102T	0281580	72	1.1	10.5
195/75 R16C 107/105T	0287585	72	1.1	10.5
215/65 15C 104/102	02103831	72	1.1	10.5
215/65 R16C 109/107R	0281581	72	1.1	10.5
205/65 16C 107/105T	0287304	72	1.1	10.5
215/70 16C 108/106R	0287584	72	1.1	10.5
225/70 R15C 112/110R	0281585	72	1.1	10.5
235/65 16C 115/113T	02103828	72	1.1	10.5
235/65 16C 115/113R	0288484	72	1.1	10.5

Remark:

- (2) The tread pattern may be named as GENESYS XP1 or AN 900 or AN658 or FRUN-ONE or GRIP1000, according to the manufacturer request.
- (3) For the tread pattern GENESYS XP1 or AN 900 or AN658 or FRUN-ONE or GRIP1000 with completely the same pattern designing.



Worst Case Selection for Testing Tire	
Test size for rolling sound:	225/55R16 99W XL
Because of:	Largest section width
Test size for wet grip:	165/70R13 79T
Because of:	The wet grip test result of 165/70R13 79T is $G= 1.50$, which is 110% above the limit value of ECE-R117(for snow tyre, the 110% limit value is $G=1.21$)
Test size for rolling resistance:	165/70R13 79T
Because of:	The tyre type having lowest load capacity index is 155/65R13 73T,the test tyre type is 165/70R13 79T,the RRC test result is 9.494 N/KN,less than the calculated limit value: $10.5-0.3-0.06x(79-73)=9.84$ N/KN



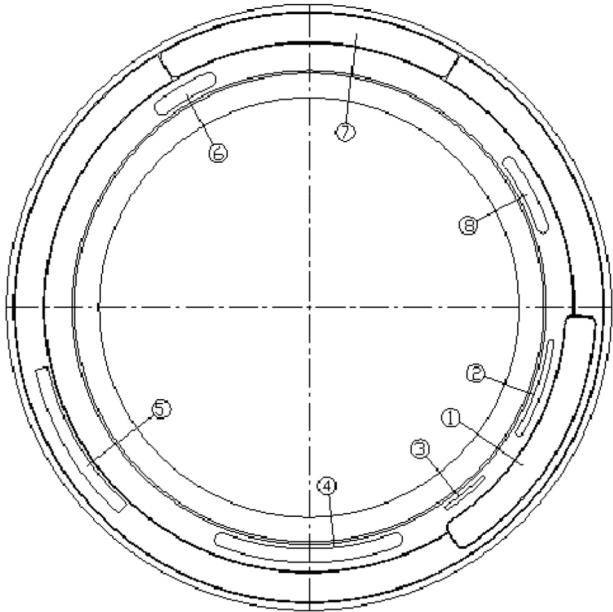
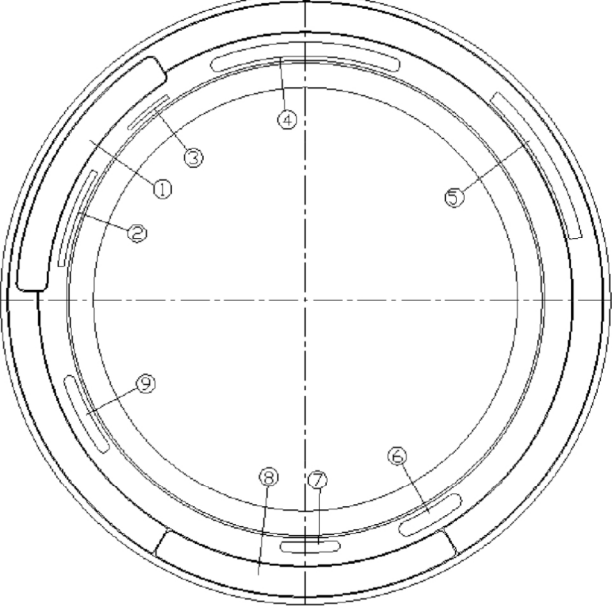
Insert here:

Drawing (and/ or photograph) of the tread pattern including detailed information (pitch number, groove area ratio, width and depth of main/centre shoulder grooves)

Manufacturer name	Shandong XingHongYuan Tyre Co., Ltd.
Pattern name	GENESYS XP1 or AN 900 or AN658 or FRUN-ONE or GRIP1000
Tyre Sizes	225/55R16 99W XL
Pitch number	70
Pitch ratio	0.72/0.80/0.88/0.90
Void volume [%]	71
Width: main grooves [mm]	9.0/10.0
Depth: center groove [mm]	7.9
Depth: shoulder groove [mm]	7.0



Drawing of the side wall: 225/55R16 99W XL

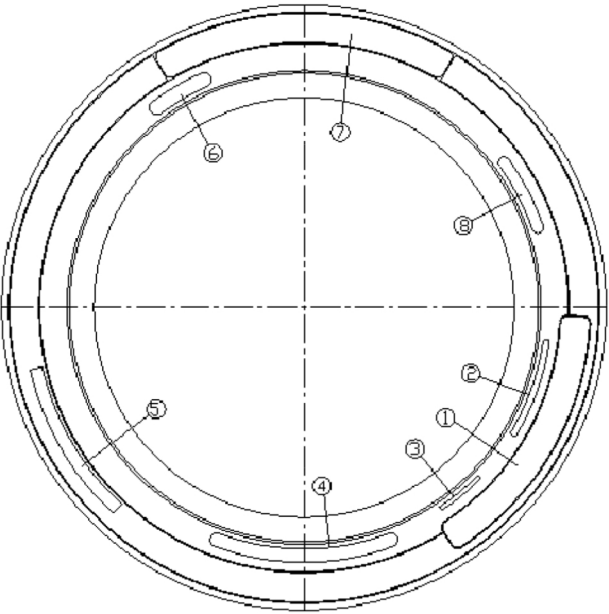
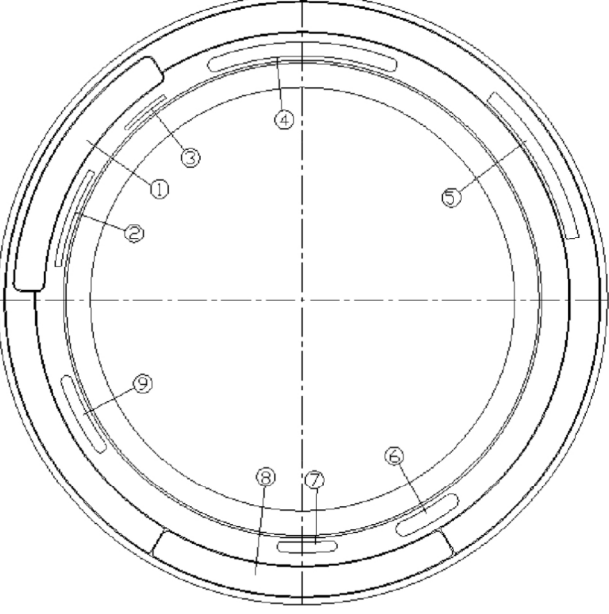
 <p style="text-align: center;">Upper mold</p>	 <p style="text-align: center;">Lower mold</p>
1. HILO or ANNAITE or ANCHEE or FULLRUN or AUTOGRIP	1. HILO or ANNAITE or ANCHEE or FULLRUN or AUTOGRIP
2.RADIAL TUBELESS	2.RADIAL TUBELESS
3.MADE IN CHINA	3.MADE IN CHINA
4.MAX. LOAD 775 kg (1709 LBS) AT 340 kPa (50 P.S.I.) COLD TREAD PLIES: 2 POLYESTER + 2 STEEL+ 1 NYLON SIDEWALL PLIES: 2 POLYESTER	4.MAX. LOAD 775 kg (1709 LBS) AT 340 kPa (50 P.S.I.) COLD TREAD PLIES: 2 POLYESTER + 2 STEEL+ 1 NYLON SIDEWALL PLIES: 2 POLYESTER
5.225/55R16	5.225/55R16
6.E4 *****	6. E4 *****
7. GENESYS XP1 or AN 900 or AN658 or FRUN-ONE or GRIP1000	7. DOT *** ***** ***(DATE CODE)
8.225/55R16 99W M+S EXTRA LOAD	8. GENESYS XP1 or AN 900 or AN658 or FRUN-ONE or GRIP1000
	9. 225/55R16 99W M+S EXTRA LOAD



Manufacturer name	Shandong XingHongYuan Tyre Co., Ltd.
Pattern name	GENESYS XP1 or AN 900 or AN 658 or FRUN-ONE or GRIP1000
Tyre Sizes	165/70R13 79T
Pitch number	65
Pitch ratio	0.72/0.80/0.88/0.90
Void volume [%]	71
Width: main grooves [mm]	7.0/7.5
Depth: center groove [mm]	7.5
Depth: shoulder groove [mm]	6.5



Drawing of the side wall: 165/70R13 79T

 <p style="text-align: center;">Upper mold</p>	 <p style="text-align: center;">Lower mold</p>
1. HILO or ANNAITE or ANCHEE or FULLRUN or AUTOGRIP	1. HILO or ANNAITE or ANCHEE or FULLRUN or AUTOGRIP
2.RADIAL TUBELESS	2.RADIAL TUBELESS
3.MADE IN CHINA	3.MADE IN CHINA
4. MAX. LOAD 437 kg (963 LBS) AT 300 kPa (44 P.S.I.) COLD TREAD PLYS: 1 POLYESTER + 2 STEEL SIDEWALL PLY: 1 POLYESTER	4. MAX. LOAD 437 kg (963 LBS) AT 300 kPa (44 P.S.I.) COLD TREAD PLYS: 1 POLYESTER + 2 STEEL SIDEWALL PLY: 1 POLYESTER
5.165/70R13	5. 165/70R13
6.E4 *****	6. E4 *****
7. GENESYS XP1 or AN 900 or AN 658 or FRUN-ONE or GRIP1000	7. DOT *** ***** ***(DATE CODE)
8. 165/70R13 79T M+S	8. GENESYS XP1 or AN 900 or AN 658 or FRUN-ONE or GRIP1000
	9. 165/70R13 79T M+S

