

CAISLEY INTERNATIONAL GMBH – HARDERHOOK 31 – D-46395 BOCHOLT

IP Serviciul Tehnologia Informației și Securitate
Cibernetică
Piața Marii Adunări Naționale 1
MD-2033, mun.Chișinău, mun.Chișinău
Republica Moldova

Ihr Zeichen:
Your Ref:

Unser Zeichen:
Our Ref:
CN/RN

Ihre Nachricht vom
Your message of

Datum
Date
6. Dezember 2019

Quotation for public tender Nr.: ocds-b3wdp1-MD-1574407126168 for „Crotalii pentru animale“

Dear Sirs,

thank you very much for inviting CAISLEY International GmbH to participate in the above mentioned tender procedure. We hereby confirm that we offer the requested and specified goods to the full extent and according to the requirements of the contracting authority.

CAISLEY International GmbH is active in the field of livestock identification systems and products for more than 30 years and our products for cattle, pig, sheep and goat registration are approved in many countries worldwide and we supply them into more than 70 countries on a regular base. Since a couple of years CAISLEYs FlexoPlus and MultiFlex eartags are approved and used for National livestock identification purposes in the Republic of Moldova.

We would be glad to be chosen as your supplier for the current procurement of identification means and already ensure that we would fulfil the contract at our best performance and according to all specifications.

Please find in the following our quotation for the requested goods. Our offer contains:

- Form F3.1 (bid form) including the following appendices:
 - a) extract from the Commercial Register (Amtsgericht Coesfeld) of 11.11.2019
 - b) confirmation of fiscal authorities (Finanzamt Borken) of 12.11.2019

- c) confirmation of social insurance carrier (AOK Rheinland/Hamburg) of 12.11.2019
- d) confirmation of certified public accountant (bswp) of 08.01.2019
- e) confirmation of Amtsgericht Münster of 12.11.2019

During the last three years, the turnover of CAISLEY International GmbH, completely generated by production and distribution of livestock identification systems has been as follows:

2015/2016	2016/2017	2017/2018
9.395 million EUR	9.926 million EUR	10.730 million EUR

The fiscal year of CAISLEY International starts on October 1st and ends on September 30th of the following calendar year. We are not able to provide certified figures for the fiscal year 2018/2019, as the accounts for 2018/2019 have not been approved yet.

Further information with detailed data can be found in the public database of the German Ministry of Justice and Consumer Protection:

https://www.bundesanzeiger.de/ebanzwww/wexsservlet?session.sessionid=606a8c2498a0127c96f0c09ee2ad2824&global_data.designmode=eb&genericsearch_param.fulltext=CAISLEY+international+gmbh&genericsearch_param.part_id=&%28page.navid%3Dto_quicksearchlist%29=Suchen

- Bid guarantee

Instead of a bid guarantee of our local bank, CAISLEY has paid an amount of 1300,- EUR by wire transfer to the following account:

Recipient: IP Serviciul Tehnologia Informației și Securitate Cibernetică
Recipients bank: Ministerul Finantelor – Trezoreria de Stat
Fiscal no.: 1003600096694
Account no.: MD21TRPCCC518430A01371AA
Settlement account: 2264011002
Reason for transfer: bid guarantee for quotation for procurement procedure
ocds-b3wdp1-MD-1574407126168

- DUAE form

Additional information to the DUAE declaration:

- a) Tax certification of Finanzamt Borken (see above)
- b) Certificate of insurance company Nürnberger Versicherung of 10.01.2019

CAISLEY International GmbH has established a quality management system according to the requirements of ISO 9001:2015.

- Please find attached the current certificate, issued by TÜV Rheinland on 08.05.2019, valid until 14.06.2022. Part of this quality management system are CAISLEYs procedures for continuous improvement. All employees are involved in this process and consider improvements of all processes and products on a regular base.

The environmental management and audit scheme is set-up according to the specifications of the ÖkoProfit standard.

- Please find attached the ÖkoProfit certificate of CAISLEY International GmbH.

CAISEY International GmbH has further established trainings and continuing education of employees in all areas of operation. The training program is set-up on an annual basis. Our employees hold diplomas in management, leadership, mechanical engineering, electronic engineering, optics, robotics, fire protection and fire safety, financial accounting and further skills.

CAISLEYs team comprises the following number of executive employees:

2017: 6

2018: 7

2019: 7

Our company is associate member of ICAR, the International Committee for Animal Recording. Over the last 15 years, ICAR has set up standards and normative rules for the test and approval

of plastic eartags as well as electronic eartags with implemented transponders (RFID). CAISLEY's cattle eartags FlexoPlus are approved according to those standards.

- Please find attached the corresponding ICAR certificate.

The offered MultiFlex L/L eartags for sheep and goats as well as the MultiFlex P/P eartags for pig identification are also approved for national identification schemes. Please find attached two certificates of Sächsischer Landeskontrollverband e.V. that confirm the characteristics of such tags as well as the already mentioned FlexoPlus eartags.

Reference projects:

Recently CAISLEY has supplied the following projects with comparable products:

Customer: Lauksaimniecības datu centrs
Address: Republikas laukums 2, Rīga, LV-1010, Latvia
Tel.: (+371) 6 702 7240
Fax: (+371) 6 702 7006
Contact: Director Ivans Vorslovs
Range: Supply of blank and printed eartags for all species
Value: 2016: 57.400 EUR; 2017: 144.700 EUR; 2018: 79.800 EUR

Customer: Landeskuratorium der Erzeugerringe Bayern e.V.
Address: Landsberger Str. 282, 80687 Munich, Germany
Tel.: (+49) 89 544348-0
Fax: (+49) 89 544348-10
Contact: Managing Director Dr. Duda
Range: Supply of blank and printed eartags for all species
Value: 2016: 1.780.200 EUR; 2017: 1.668.800 EUR; 2018: 1.671.300 EUR

Customer: Ghislandi & Ghislandi srl.
Address: Via S. Filippo e Giacomo s.n., 24050 Covo (BG), Italy
Tel.: (+39) 0363 938700
Fax: (+39) 0363 93722

Contact: Managing Director Mr. Angelo Ghislandi
Range: Supply of blank and printed eartags for all species
Value: 2016: 163.300 EUR; 2017: 189.800 EUR; 2018: 202.300 EUR

- Form F4.1 (technical proposal)
- Appendix to F4.1 with further information to technical specifications of annex 1 und 2

We hereby declare that the offered eartag models FlexoPlus G/D, MultiFlex L/L and MultiFlex P/P are compatible to the applicator, specified in chapter III of annex 1 and chapter IV of annex 2. CAISLEY International GmbH is the manufacturer of this "applicator multiflex" and we guarantee full compatibility. The applicator can be used for the application of all MultiFlex and FlexoPlus eartags as well as for FlexoTronic RFID eartags and FlexoPlus Geno tissue sampling eartags.

- Form F4.2 (commercial proposal)

Please be informed that the all prices are given DAP (Incoterms 2010).

Kind regards




Reinhard Nehls

Formularul ofertei (F3.1)

[Ofertantul va completa acest formular în conformitate cu instrucțiunile de mai jos. Nu se vor permite modificări în formatul formularului, precum și nu se vor accepta înlocuiri în textul acestuia.]

Data depunerii ofertei: "06" December 2019

Procedura de achiziție Nr.: ocds_3bwdp1_MD-1574407126168

Anunț de participare Nr.: _____

Către: I.P. Serviciul Tehnologia Informației și Securitate Cibernetică

[numele deplin al autorității contractante]

CAISLEY International GmbH

declară că:

[denumirea ofertantului]

a) Au fost examinate și nu există rezervări față de documentele de atribuire, inclusiv modificările nr. - _____.

[introduceți numărul și data fiecărei modificări, dacă au avut loc]

b) - _____ se angajează să

[denumirea ofertantului]

furnizeze în conformitate cu documentele de atribuire și condițiile stipulate în specificațiile tehnice și preț, următoarele bunuri eartags for identification of cattle, sheep and pigs according to technical specifications

[introduceți o descriere succintă a bunurilor]

c) Suma totală a ofertei fără TVA constituie:

63.946 EUR

[introduceți prețul pe loturi (unde e cazul) și totalul ofertei în cuvinte și cifre, indicând toate sumele și valutele respective]

d) Suma totală a ofertei cu TVA constituie:

not aplicable

[introduceți prețul pe loturi (unde e cazul) și totalul ofertei în cuvinte și cifre, indicând toate sumele și valutele respective]

e) Prezenta ofertă va rămâne valabilă pentru perioada de timp specificată în **FDA3.8.**, începând cu data-limită pentru depunerea ofertei, în conformitate cu **FDA4.2.**, va rămâne obligatorie și va putea fi acceptată în orice moment pînă la expirarea acestei perioade;

f) În cazul acceptării prezentei oferte, CAISLEY International GmbH

[denumirea ofertantului]

se angajează să obțină o Garanție de bună execuție în conformitate cu **FDA6**, pentru executarea corespunzătoare a contractului de achiziție publică.

g) Nu sîntem în nici un conflict de interese, în conformitate cu art. 74 din Legea nr. 131 din 03.07.2015 privind achizițiile publice.

h) Compania semnatară, afiliații sau sucursalele sale, inclusiv fiecare partener sau subcontractor ce fac parte din contract, nu au fost declarate neeligibile în baza prevederilor legislației în vigoare sau a regulamentelor cu incidență în domeniul achizițiilor publice.

Semnat: _____
[semnătura persoanei autorizate pentru semnarea ofertei]

Nume: Reinhard Nehls

În calitate de: Managing Director

[funcția oficială a persoanei ce semnează formularul ofertei]

Ofertantul: CAISLEY International GmbH

Adresa: Harderhook 31, 46395 Bocholt, Germany

Data: "06" December 20 19



Copy

page 1 of 2

1. **Number of previous entries:**

5

Translation from German Language

2. **a) Company:**

Caisley International GmbH

b) Registered office, establishment, domestic business address, authorised recipient, branch offices:

Bocholt

Business address: Harderhook 31, 46395 Bocholt

c) Business of the company:

The manufacture and sales of all types of plastic products. The company may invest in other companies – insofar as their business purpose is similar to the business purpose of this company, and engage in other businesses, which would be beneficial to the business operations of this company.

3. **Nominal or share capital:**

30,000 EUROS

4. **a) General representation:**

(2) If only a single managing director is appointed, then the company shall be represented by him alone. If several directors are appointed, then the company shall be represented by two managing directors acting jointly or by one managing director together with an authorised officer.

b) Board, executive body, executive directors, personally liable shareholders, managing directors, authorised representatives and special power of representation:

Sole powers of representation; with authorisation to conclude legal transactions in the name of the company with itself in its own name or as representative of a third party.

Managing Director: Nehls, Reinhard, Bocholt, *17.01.1951

5. **Power of attorney:**

6. **a) Legal form, begin date, statutes or articles of association:**

Limited liability company

Articles of Association from 17.01.1989

Last amended by resolution from 28.08.2014

b) Other legal relationships

Copy

page 2 of 2

7. a) Date of last entry:

31.10.2019

TRANSLATION

Handelsregister B des Amtsgerichts Coesfeld	Abteilung B Wiedergabe des aktuellen Registerinhalts Abruf vom 11.11.2019 15:37	Nummer der Firma: HRB 8113
Abdruck	Seite 1 von 2	

1. Anzahl der bisherigen Eintragungen:

5

2. a) Firma:

Caisley International GmbH

b) Sitz, Niederlassung, inländische Geschäftsanschrift, empfangsberechtigte Person, Zweigniederlassungen:

Bocholt

Geschäftsanschrift: Harderhook 31, 46395 Bocholt

c) Gegenstand des Unternehmens:

Die Herstellung und der Vertrieb von Kunststoffergezeugnissen aller Art. Die Gesellschaft kann sich an anderen Gesellschaften beteiligen, soweit deren Gegenstand dem Gegenstand der Gesellschaft ähnlich ist, und sonstige Geschäfte betreiben, die dem Gegenstand der Gesellschaft dienlich sind.

3. Grund- oder Stammkapital:

30.000,00 EUR

4. a) Allgemeine Vertretungsregelung:

Ist nur ein Geschäftsführer bestellt, so vertritt er die Gesellschaft allein. Sind mehrere Geschäftsführer bestellt, so wird die Gesellschaft durch zwei Geschäftsführer oder durch einen Geschäftsführer gemeinsam mit einem Prokuristen vertreten.

b) Vorstand, Leitungsorgan, geschäftsführende Direktoren, persönlich haftender Gesellschafter, Geschäftsführer, Vertretungsberechtigte und besondere Vertretungsbefugnis:

Einzelvertretungsberechtigt mit der Befugnis im Namen der Gesellschaft mit sich im eigenen Namen oder als Vertreter eines Dritten Rechtsgeschäfte abzuschließen:

Geschäftsführer: Nehls, Reinhard, Bocholt, *17.01.1951

5. Prokura:

6. a) Rechtsform, Beginn, Satzung oder Gesellschaftsvertrag:

Gesellschaft mit beschränkter Haftung

Gesellschaftsvertrag vom 17.01.1989

Zuletzt geändert durch Beschluss vom 28.08.2014

b) Sonstige Rechtsverhältnisse:

Handelsregister B des Amtsgerichts Coesfeld	Abteilung B Wiedergabe des aktuellen Registerinhalts Abruf vom 11.11.2019 15:37	Nummer der Firma: HRB 8113
Abdruck	Seite 2 von 2	

7. a) Tag der letzten Eintragung:

31.10.2019



Finanzverwaltung NRW 46322 Borken

Information issued by
Mr. Gerards

Company
Caisley International
GmbH Harderhook 31
46395 Bocholt

Extension
02861 938-2242

Room
245

Tax number / Reference number
307/5749/0243 VBZ 33

Date
12.11.2019

Certification in relation to tax matters

Only valid in the original, without deletions, with signature and official seal or as certified photocopy

A. Personal details

Name, place of residence, registered office, street, house number Caisley International GmbH, 46395 Bocholt, Harderhook 31	
Tax number / Identification number 0201/8781 8485	
Date of birth, date of foundation	Legal form GmbH

B. Details of tax circumstances

1. This is to certify that in relation to this tax office, the aforementioned applicant is

- not administered. since 1989 administered with the following forms of tax:
- Income Tax Sales Tax Trade Tax Wage Tax Corporate Tax
- further income tax places of work in the following Tax Office:

2. At the present time, there are

- no tax arrears due.
- tax arrears amounting to: _____ €.
- of which deferred on personal equitable grounds: _____ €.
- of which wage tax in arrears amounting to _____ €.

3. Payments made in the last 24 months were

- always or mainly on schedule.
- mainly or always delayed.

Dienstgebäude
Nordring 184
46325 Borken
www.finanzverwaltung.nrw.de

Telefon
02861 938-0
Telefax
0800 10092675307

Allgemeine Sprechzeiten:
Mo-Fr 08.30 - 12.00 Uhr und nach Vereinbarung

Bürgerbüro
Mo - Mi 07.30 - 15.00 Uhr
Do 07.30 - 17.30 Uhr und Fr 07.30 - 12.00 Uhr



B. (Continuation:) Details of tax circumstances

4. In the last 24 months, tax returns were
- always or mainly filed on time.
 - mainly or always delayed, or not submitted as required.
5. In the last 36 months, penalties were legally imposed due to tax crimes, or fines due to tax misdemeanours: **No**
6. In the last 36 months, proceedings were initiated due to tax crimes or tax misdemeanours and notification thereof provided to the applicant: **No**
7. The Tax Office has
- has applied for insolvency proceeding in relation to the applicant, or has become aware of corresponding applications on the part of third parties.
 - requested the applicant to provide information on his financial status.
8. Miscellaneous
- As this is a start-up company, the Tax Office does not, therefore, yet have any information on the tax behaviour of the applicant.
 - The following deviating responsibilities apply:
 - Separate assessment in accordance with § 180 Section 1 Clause 1 Sentence 2 (b) AO (Fiscal Code)
 - Entity subject to turnover tax
9. Further information

This certification does not confirm the entrepreneurial status in accordance with § 2 UStG (Turnover Tax Act).

This certification solely takes into account the facts pertaining at the date of issuing the certification.

On behalf of

Gerards

Gerards



Data protection note:

For information on the processing of personal data in the Tax Administration Office and on your rights in accordance with the General Data Protection Regulation (GDPR) as well as on your contact partners in data protection matters, please refer to the General Information Notice issued by the Tax Administration Office. This Information Notice is available at: www.finanzamt.de (under "Data Protection") or at your Tax Office.



Finanzverwaltung NRW 46322 Borken

Auskunft erteilt
Herr Gerards

Firma
Caisley International GmbH
Harderhook 31
46395 Bocholt

Durchwahl-Nr.
02861 938-2242

Zimmer
245

Steuernummer/Aktenzeichen
307/5749/0243 VBZ 33

Datum
12.11.2019

Bescheinigung in Steuersachen

Nur gültig im Original, ohne Streichungen, mit Unterschrift und Dienstsiegel oder als beglaubigte Fotokopie

A. Angaben zur Person

Name, Wohnort, Firmensitz, Straße, Hausnummer Caisley International GmbH, 46395 Bocholt, Harderhook 31 Steuernummer/Identifikationsnummer 307/5749/0243/	
Geburtsdatum, Gründungsdatum	Rechtsform GmbH

B. Angaben zu den steuerlichen Verhältnissen

1. Hiermit wird bescheinigt, dass die oben bezeichnete Antragstellerin hier

- nicht geführt wird. seit 1989 mit folgenden Steuerarten geführt wird:
 Einkommensteuer Umsatzsteuer Gewerbesteuer Lohnsteuer Körperschaftsteuer
 weitere lohnsteuerliche Betriebsstätte in folgendem Finanzamt:

2. Zur Zeit bestehen

- keine fälligen Steuerrückstände.
 Steuerrückstände in Höhe von: _____ €.
 davon aus persönlichen Billigkeitsgründen gestundet: _____ €.
 davon rückständige Lohnsteuer in Höhe von _____ €.

3. Zahlungen erfolgten in den letzten 24 Monaten

- immer oder überwiegend pünktlich.
 überwiegend oder immer verspätet.

Dienstgebäude
Nordring 184
46325 Borken
www.finanzverwaltung.nrw.de

Telefon
02861 938-0
Telefax
0800 10092675307

Allgemeine Sprechzeiten:
Mo-Fr 08.30 - 12.00 Uhr und nach Vereinbarung

Bürgerbüro
Mo - Mi 07.30 - 15.00 Uhr
Do 07.30 - 17.30 Uhr und Fr 07.30 - 12.00 Uhr



Öffentliche Verkehrsmittel: Buslinie: R 51 - Haltestelle Steingrube/Finanzamt Buslinie: S 75 - Haltestelle Borken

B. (Fortsetzung:) Angaben zu den steuerlichen Verhältnissen

4. Steuererklärungen wurden in den letzten 24 Monaten
- immer oder überwiegend pünktlich eingereicht.
 - überwiegend oder immer verspätet oder pflichtwidrig nicht eingereicht.
5. In den letzten 36 Monaten wurden Strafen wegen Steuerstraftaten oder Geldbußen wegen Steuerordnungswidrigkeiten rechtskräftig festgesetzt: nein
6. In den letzten 36 Monaten wurden Verfahren wegen Steuerstraftaten oder Steuerordnungswidrigkeiten eingeleitet und der Antragstellerin mitgeteilt: nein
7. Das Finanzamt hat
- hinsichtlich der Antragstellerin ein Insolvenzverfahren beantragt oder von entsprechenden Anträgen Dritter Kenntnis erlangt.
 - die Antragstellerin zur Abgabe einer Vermögensauskunft aufgefordert.
8. Sonstiges
- Es handelt sich um eine Neugründung, dem Finanzamt liegen daher noch keine Erkenntnisse über das steuerliche Verhalten der Antragstellerin vor.
 - Es liegen folgende abweichende Zuständigkeiten vor:
 - gesonderte Feststellung nach § 180 Absatz 1 Satz 1 Nr. 2 Buchstabe b AO
 - umsatzsteuerliche Organschaft
9. Weitere Angaben

Die Unternehmereigenschaft nach § 2 UStG wird mit dieser Bescheinigung nicht bestätigt.

Die Bescheinigung berücksichtigt lediglich die Fakten zum Zeitpunkt der Ausstellung der Bescheinigung.

Im Auftrag



Gerards



Datenschutzhinweis:

Informationen über die Verarbeitung personenbezogener Daten in der ~~Steuerverwaltung~~ und über Ihre Rechte nach der Datenschutz-Grundverordnung sowie über Ihre Ansprechpartner in Datenschutzfragen entnehmen Sie bitte dem allgemeinen Informationsschreiben der Finanzverwaltung. Dieses Informationsschreiben finden Sie unter www.finanzamt.de (unter der Rubrik „Datenschutz“) oder erhalten Sie bei Ihrem Finanzamt.



DID YOU KNOW

You can also do everything online?
rh.meine.aok.de

AOK Rheinland/Hamburg 40466 Düsseldorf

Caisley International GmbH
Harderhook 31
46395 Bocholt

**AOK Rheinland/Hamburg
Die Gesundheitskasse**

Regional Directorate Düsseldorf

Specialist Service Insurance/Contributions

Kasernenstr. 61
40213 Düsseldorf
Telephone: 0211 8225 0

Your contact partner
Anja Nitschke

Telephone: 0211 8225-462
Telefax: 0211 8225-801
Email: anja.nitschke@rh.aok.de

Date: 12.11.2019

Clearance certificate

Company number: 32996227

Dear Sirs,

We hereby certify for you that a contribution account is being administered for you and that you have hitherto properly fulfilled your payment obligations to our Health Insurance Company in accordance with the German Expenditure Compensation Act. You are not in arrears in relation to social insurance contributions / investment amounts.

This certification is only valid in the original version; it contains no confirmation with regard to the completeness and accuracy of the notifications, the contribution certifications or the contribution payments. This certification does not provide a release from liability in accordance with § 28 e Section 2 SGB IV (German Social Code – Book IV). No publication for an indefinite group of recipients (e.g. on the internet) is allowed.

Yours sincerely

(signature)

Anja Nitschke

Technical Advisor Contributions

AOK-Clarimedis ServiceCenter: 0800 0 326326 - 24 hours service — www.aok.de/rh

Opening hours:
Monday to Thursday
Friday
Saturday

8 am to 6 pm
8 pm to 4 pm
10:00 am to 1 pm

Bank details:

Commerzbank AG Düsseldorf
BIC GOBADEFFXXX
IBAN DE24 3004 0000 0180 3840 00

Hamburger Sparkasse
I IC HASPDEHHXXX
IBAN DE31 2005 0550 1237 234 09

Institution ID code 1042 12505



AOK Rheinland/Hamburg 40466 Düsseldorf

Caisley International GmbH
Harderhook 31
46395 Bocholt

AOK Rheinland/Hamburg
Die Gesundheitskasse

Regionaldirektion Düsseldorf
Fachservice Versicherung/Beiträge

Kasernenstr. 61
40213 Düsseldorf
Telefon: 0211 8225-0

Ihre Ansprechpartnerin
Anja Nitschke

Telefon: 0211 8225-462
Telefax: 0211 8225-801
E-Mail: anja.nitschke@rh.aok.de

Datum: 12.11.2019

Unbedenklichkeitsbescheinigung

Betriebsnummer: 32996227

Sehr geehrte Damen und Herren,

wir bescheinigen Ihnen, dass für Sie ein Beitragskonto geführt wird und Sie Ihren Zahlungsverpflichtungen bezüglich der nachgewiesenen Sozialversicherungsbeiträge/Umlagebeträge nach dem Aufwendungsausgleichsgesetz gegenüber unserer Krankenkasse bisher ordnungsgemäß nachgekommen sind. Rückstände an Sozialversicherungsbeiträgen/Umlagebeträgen bestehen nicht.

Diese Bescheinigung ist nur im Original gültig; sie enthält keine Bestätigung über die Vollständigkeit und Richtigkeit der Meldungen, der Beitragsnachweise und der Beitragszahlungen. Durch diese Bescheinigung erfolgt keine Entlassung aus der Haftung nach § 28 e Abs. 2 SGB IV. Eine Veröffentlichung für einen unbestimmten Empfängerkreis (z. B. im Internet) ist nicht erlaubt.

Mit freundlichen Grüßen

Anja Nitschke
Fachberaterin Beiträge

AOK-Clarimedis ServiceCenter: 0800 0 326326 – 24-Stunden-Service – www.aok.de/rh

Öffnungszeiten:
Montag bis Donnerstag 08:00 bis 18:00 Uhr
Freitag 08:00 bis 16:00 Uhr
Samstag 10:00 bis 13:00 Uhr

Bankverbindung:
Commerzbank AG Düsseldorf
BIC COBADEFFXXX
IBAN DE24 3004 0000 0180 3840 00

Hamburger Sparkasse
BIC HASPDEHHXXX
IBAN DE31 2005 0550 1237 1234 09

21FK009
10/15

Institutionskennzeichen 104212505

bswp | Büdding ter Steege Weiß • Philipp-Reis-Straße 4 • D-46397 Bocholt

personal/confidential

Caisley International GmbH
Mr Henrik Winkeler
Harderhook 31
46395 Bocholt

Reference number:10281 / fb / js

Auditor Tax Consultant Graduate
Business Administrator First name
last name
+49 2871 21190
f.buedding@bswp.de

08.01.2019

Dear Mr Winkeler

Certificate for presentation at the Agrarmarkt Austria

We confirm the following for presentation at the Agrarmarkt Austria, Dresdner Straße 70, A-1200 Vienna:

1. We, more specifically the predecessor company WEISS UND PARTNER GMBH audit firm/tax consultancy firm, whose managing directors correspond with the partners of bswp Büdding ter Steege Weiße PartGmbH audit firm/tax consultancy firm, have been commissioned for years by Caisley International GmbH to audit the annual accounts. We have never detected a breach against legal provisions which could make one question the general professional reliability of the company or the management. This particularly includes matters related to social security and tax.
2. The company is not over-indebted. It has sufficient capital and it is generating stable profits.
3. We, more specifically the predecessor company WEISS UND PARTNER GMBH audit firm/tax consultancy firm have never had to qualify or even withhold the audit certificate. We, more specifically the predecessor company WEISS UND PARTNER GMBH audit firm/tax consultancy firm have always issued an unqualified audit certificate throughout the years.

Yours sincerely

(Signature)

Felix Büdding

(Stamp)

A member of
Nexia
International
bswp Büdding ter Steege Weiß PartGmbH
Audit Firm
Tax Consultancy Firm
Registry Court Essen PR 4330
Headquarters: Bocholt

Philipp-Reis-Straße 4
46397 Bocholt
Telephone 02871 21 19
0
Fax 02871 21 19 70
mail@bswp.de

Partners:
Dipl.-Kfm. Felix Büdding•Auditor•Tax consultant
Dipl.-Kfm. Frank ter Steege•Auditor•Tax consultant
Dipl.-Kfm. Paul-Bernhard Weiß•Auditor•Tax consultant

This is to certify that the foregoing page is a true and correct translation of the German Original Copy

Solingen, this 18th Day of February 2019



bswp | Büdding ter Steege Weiß · Philipp-Reis-Straße 4 · D-46397 Bocholt

persönlich/vertraulich

Caisley International GmbH
Herrn Henrik Winkeler
Harderhook 31
46395 Bocholt

Az.: 10281 / fb / js

WP StB Dipl.-Kfm. Vorname Name
+49 2871 2119 0
f.buedding@bswp.de

08.01.2019

Bescheinigung zur Vorlage beim Agrarmarkt Austria

Sehr geehrter Herr Winkeler,

zur Vorlage beim Agrarmarkt Austria, Dresdner Straße 70, A - 1200 Wien, bestätigen wir Ihnen folgendes:

1. Wir bzw. die Vorgängergesellschaft WEISS UND PARTNER GMBH Wirtschaftsprüfungsgesellschaft Steuerberatungsgesellschaft, deren Geschäftsführer mit den Partnern der bswp Büdding ter Steege Weiß PartGmbB Wirtschaftsprüfungsgesellschaft Steuerberatungsgesellschaft übereinstimmen, sind seit Jahren von der Caisley International GmbH beauftragt, die Jahresabschlüsse zu prüfen. Wir haben niemals einen Verstoß gegen gesetzliche Vorschriften festgestellt, der die allgemeine berufliche Zuverlässigkeit der Gesellschaft oder der Geschäftsleitung in Frage stellen könnte. Dazu gehören insbesondere auch sozialversicherungsrechtliche und steuerliche Angelegenheiten.
2. Die Gesellschaft ist nicht überschuldet. Sie ist mit einem ausreichenden Kapital ausgestattet, sie erwirtschaftet stabile Gewinne.
3. Wir bzw. die Vorgängergesellschaft WEISS UND PARTNER GMBH Wirtschaftsprüfungsgesellschaft Steuerberatungsgesellschaft haben noch nie den Bestätigungsvermerk einschränken oder gar versagen müssen. Wir bzw. die Vorgängergesellschaft WEISS UND PARTNER GMBH Wirtschaftsprüfungsgesellschaft Steuerberatungsgesellschaft haben in allen Jahren immer einen uneingeschränkten Bestätigungsvermerk erteilt.

Mit freundlichen Grüßen


Felix Büdding





12.11.2019
Page 1 von 1

Negative Attest

Information from the database of the Insolvency Court Münster

Name: Caisley International GmbH
Adress: Harderhook 31, 46395 Bocholt
Register No.: HRB 8113
Register Court: Amtsgericht Coesfeld
(District Court)

As of 12.11.2019, 12:20 pm, there are no proceedings pending with the local bankruptcy court regarding the legal entity mentioned above.

(Signature)

Wernsmann
Justizbeschäftigte





Negativattest

Auskunft aus der Datenbank des Insolvenzgerichts Münster

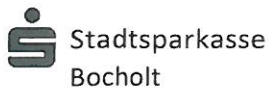
Name: Caisley International GmbH
Anschrift: Harderhook 31, 46395 Bocholt
Registernummer: HRB 8113
Registergericht: Amtsgericht Coesfeld

Bezüglich der oben genannten juristischen Person sind oder waren zum 12.11.2019, 12:20 Uhr keine Verfahren bei dem hiesigen Insolvenzgericht anhängig.

A handwritten signature in black ink, appearing to be 'Wernsmann'.

Wernsmann
Justizbeschäftigte





Foreign bank Transfer – Print View

The Order has been received.
05th December 2019 at
11:59:45 a.m. TAN used:
449583

Client Account: DE63 4285 0035 0000 1455 99
CAISLEY INTERNATIONAL GMBH
Street: HARDERHOOK 31
City/Place: 46395 BOCHOLT

Beneficiary (name of company): IP Serviciul Tehnologia Informatiei si Securitate Ciberne"tica
Street / No.: Piata Marii Adunari Nationale 1
City/Place: Chisinau
Country: MD - MOLDAU, REP., (MOLDAWIEN)
Bank Account No./IBAN: MD21TRPC CCSI 8430 A013 71AA

The beneficiary's bank, BIC (SWIFT-Code): NBMDMD2XXXX
Name of the bank: Ministerul Finantelor al Republicii Moldova
Street / No.: Str. Constantin Tanase, 7, mun.
City/Place: Chisinau
Country: MD - MOLDAU, REP., (MOLDAWIEN)

Amount: 1.300,00
Currency: EUR

Purpose of use: bid guarantee for quotation for procurement procedure ocds-b3wdpl-MD-1574407126168
Additional instructions for the Bank:
Modality of transfer: Standard (SWIFT)
Instruction key:
Settlement of fees: OUR – all fees at the expense of the applicant
Account number, if fees are charged to different account:



Auslandsüberweisung - Druckansicht



Der Auftrag wurde entgegengenommen.
05. Dezember 2019 um 11:59:45 Uhr
Verwendete TAN: 449583

Auftraggeberkonto: DE63 4285 0035 0000 1455 99
CAISLEY INTERNATIONAL GMBH
Straße: HARDERHOOK 31
Stadt/Ort: 46395 BOCHOLT

Begünstigter (Name oder Firma): IP Serviciul Tehnologia Informatiei si Securitate Cibernetica
Straße/Hausnummer: Piata Marii Adunari Nationale 1
Stadt/Ort: Chisinau
Land: MD - MOLDAU, REP., (MOLDAWIEN)
Kontonummer/IBAN: MD21 TRPC CC51 8430 A013 71AA

Kreditinstitut des Begünstigten
BIC (SWIFT-Code): NBMDMD2XXXX
Name des Kreditinstitutes: Ministerul Finantelor al Republicii Moldova
Straße/Hausnummer: str. Constantin Tanase, 7, mun.
Stadt/Ort: Chisinau
Land: MD - MOLDAU, REP., (MOLDAWIEN)

Betrag: 1.300,00
Währung: EUR

Verwendungszweck: bid guarantee for quotation for procurement procedure ocds-b3wdp1-MD-1574407126168

Zusätzliche Weisungen für das
Kreditinstitut:
Ausführungsart: Standard (SWIFT)
Weisungsschlüssel:
Entgeltregelung: OUR - alle Entgelte z.L. Kontoinhaber
Konto Nr. bei abweichender
Gebührenbelastung:

Druckaufbereitung erzeugt am 05. Dezember 2019 um 11:59:49 Uhr.
Dieser Ausdruck ist nicht rechtsverbindlich.

Formularul standard al Documentului Unic de Achiziții European

Documentul Unic de Achiziții European, în continuare DUAE este o declarație pe proprie răspundere care prezintă dovezi preliminare și înlocuiește certificatele eliberate de autoritățile publice sau de părți terțe. El este disponibil în limba de stat și engleză și este utilizat ca dovadă preliminară a îndeplinirii condițiilor necesare în cadrul procedurilor de achiziții publice în Republica Moldova. Datorită DUAE, ofertanții nu mai trebuie să furnizeze probe documentare complete și în formate diferite, astfel cum se utilizau anterior în procedurile de achiziții publice, ceea ce reprezintă o simplificare semnificativă a accesului la oportunitățile de ofertare transfrontaliere. Începând din octombrie 2018, DUAE va fi disponibil exclusiv în formă electronică. Ministerul Finanțelor pune la dispoziție serviciu web gratuit pentru cumpărători, ofertanți și alte părți interesate de completare DUAE în format electronic. Formularul online poate fi completat, imprimat și apoi trimis cumpărătorului împreună cu restul ofertei. Dacă procedura se desfășoară electronic, DUAE poate fi exportat, stocat și depus în format electronic. Un DUAE depus în cadrul unei proceduri de achiziții publice anterioare poate fi reutilizat, cu condiția că informațiile să rămână corecte. Ofertanții pot fi excluși din procedura de achiziții publice sau pot fi urmăriți în justiție dacă informațiile din DUAE sunt false, nedivulgate sau nu pot fi susținute prin documente justificative.

Partea I – Informații privind procedura de achiziții publice și autoritatea contractantă sau entitatea contractantă

Partea I a formularului DUAE se completează online doar de către autoritatea contractantă sau entitatea contractantă și include următoarele informații:

A.	Informații despre publicare	
	Numărul anunțului/invitației publicată în BAP, și după caz numărul anunțului în J.O	Numărul este atribuit de SIA RSAP Mtender ocds-b3wdp1-MD-1574407126168
B.	Identitatea achizitorului	
	Denumirea oficială	IP Serviciul Tehnologia Informației și Securitate Cibernetică
	Țara	Republica Moldova
	Număr unic de identificare a autorității	IDNO 1003600096694
C.	Informații privind procedura de achiziții publice	
	Tipul procedurii	Achiziție publică de bunuri prin Licitatie deschisă
	Numărul unic de identificare al procedurii de achiziție	Nr. este atribuit de SIA RSAP MTender
	Data deschiderii ofertelor	09.12.2019; ora 11:00
	Denumirea obiectului de achiziții	Crotalii pentru animale
	Scurtă descrie	Cod CPV: 03340000-6

Partea II – Informații referitoare la operatorul economic

Partea II a formularului DUAE se completează online doar de către operatorii economici și include următoarele informații.

A.	Informații referitoare la operatorul economic
-----------	--

	Denumire	Răspuns
	<i>Adresa juridică:</i>	CAISLEY International GmbH
	Cod poștal	46395
	Oraș	Bocholt
	Țara	Germany
	Adresa web	www.caisley.de
	e-mail	info@caisley.de
	Telefon	+49.2871.239390
	Persoana sau persoanele de contact	Reinhard Nehls
	Număr unic de identificare (IDNO/IDNP), după caz	HRB 8113
	Numărul cod TVA – dacă este cazul	DE 124160724
	Statutul juridic al operatorului economic	GmbH
	Numele fondatorilor	Reinhard Nehls
	Operatorul economic este: <ul style="list-style-type: none"> • întreprindere mică • întreprindere mijlocie 	<p>Se selectează de către operatorii economici</p> <p><input type="checkbox"/> Da</p> <p><input checked="" type="checkbox"/> <input type="checkbox"/> Nu</p> <p><input checked="" type="checkbox"/> Da</p> <p><input type="checkbox"/> <input type="checkbox"/> Nu</p>
	<p>Numai în cazul în care achiziția este rezervată: operatorul economic este un atelier protejat sau o ”întreprindere socială,, sau va asigura executarea contractului în contextul programelor de angajare protejată?</p> <p>- care este procentul corespunzător de lucrători cu dizabilități sau defavorizați?</p> <p>- Dacă este necesar, vă rugăm să specificați cărei sau căror categorii de lucrători cu dizabilități sau defavorizați le aparțin angajații în cauză?</p>	<p>Se selectează de către operatorii economici</p> <p><input type="checkbox"/> Da</p> <p><input type="checkbox"/> <input type="checkbox"/> Nu</p> <p>Se completează text </p> <p>Se completează text </p>
	<p>Dacă este cazul, activitatea antreprenorială a operatorului economic este înregistrată sau deține o certificare echivalentă în cadrul unui sistem național privind activitățile economice pe care le prestează?</p> <p>- Vă rugăm să furnizați actele de constituire, dacă este cazul:</p> <p>- Dacă actele de constituire sau de certificare sunt disponibile în format electronic, vă rugăm să precizați:</p> <p>- Vă rugăm să furnizați autorizațiile pe care se bazează activitățile comerciale, dacă este cazul:</p> <p>- Înregistrarea sau certificarea acoperă toate criteriile de selecție impuse?</p>	<p>Se selectează de către operatorii economici</p> <p><input type="checkbox"/> Da</p> <p><input type="checkbox"/> <input type="checkbox"/> Nu</p> <p>Se completează text </p> <p><input type="checkbox"/> Da</p> <p><input type="checkbox"/> <input type="checkbox"/> Nu</p> <p><input type="checkbox"/> Da</p> <p><input type="checkbox"/> <input type="checkbox"/> Nu</p>

		<p>Se completează text </p> <p><input type="checkbox"/> Da <input type="checkbox"/> Nu</p> <p><input type="checkbox"/> Da <input type="checkbox"/> Nu</p>
	<p><i>Vă rugăm să completați informațiile lipsă în partea II secțiunea A,B,C sau D, după caz, NUMAI dacă se solicită acest lucru în anunțul sau în documentele achiziției relevante</i></p>	
	<p>Operatorul economic va fi în măsură să furnizeze un certificat cu privire la plata contribuțiilor la asigurările sociale și plata impozitelor sau să furnizeze informații care să îi permită autorității contractante sau entității contractante să obțină acest certificat direct prin accesarea unei baze de date naționale în orice stat, disponibilă în mod gratuit?</p> <p>- Dacă documentele relevante sunt disponibile în format electronic, vă rugăm să precizați:</p> <p><i>See:</i> <i>- tax attestation of Finanzamt Borken of 12.11.2019</i> <i>- certificate of non-objection of AOK Rheinland Hamburg of 12.11.2019</i></p>	<p>Se selectează de către operatorii economici</p> <p><input checked="" type="checkbox"/> Da <input type="checkbox"/> Nu</p> <p>se completează de către operatorul economic: adresa de internet, autoritatea emitentă sau organismul emitent. Referința exactă a documentației.</p>
	<p>Operatorul economic participă la procedura de achiziții publice împreună cu alții?</p>	<p>Se selectează de către operatorii economici</p> <p><input type="checkbox"/> Da <input checked="" type="checkbox"/> Nu</p>
	<p><i>Vă rugăm să vă asigurați că celelalte părți în cauză prezintă un formular DUAE separat.</i></p>	
	<p>Vă rugăm să precizați rolul operatorului economic în cadrul grupului (lider, responsabil cu îndeplinirea unor sarcini specifice, etc):</p>	<p>Se completează text </p>
	<p>Vă rugăm să îi identificați pe ceilalți operatori economici care mai participă la procedura de achiziții publice:</p>	<p>Se completează text </p>
	<p>Dacă este cazul, denumirea grupului participant:</p>	<p>Se completează text </p>
	<p>Dacă este cazul, se indică lotul (loturile) pentru care operatorul economic dorește să depună oferte:</p>	<p>Se completează text </p>
B.	<p>Informații privind reprezentanții operatorului economic</p>	
	<p><i>Dacă este cazul, vă rugăm să indicați numele și adresa (adresele) persoanei (persoanelor) împuternicită (împuternicite) să îl reprezinte pe operatorul economic în scopurile acestei proceduri de achiziții publice:</i></p>	

	Prenume Sapa	Se completează de către operatorul economic: text
	Nume Alexei	
	Data nașterii 28.09.1983	
	Locul nașterii Moldova, Chisinau	
	Strada și numărul Cojocarilor 6	
	Cod poștal MD-2000	
	Oraș Chisinau	
	Țară Republic of Moldova	
	--	
	e-mail	
	Telefon +37379543561	
	Funcție / acționând în calitate de acționând în calitate de reprezentant CAISLEY International GmbH	
	<i>Dacă este cazul, vă rugăm să furnizați informații detaliate privind reprezentarea (formele, amploarea, scopul acesteia...)</i>	
C.	Informații privind utilizarea capacităților altor entități	
	Operatorul economic utilizează capacitățile altor entități pentru a satisface criteriile de selecție prevăzute în partea IV, precum și (dacă este cazul) criteriile și regulile menționate în partea V de mai jos?	Se selectează de către operatorii economici <input type="checkbox"/> Da <input checked="" type="checkbox"/> Nu
	<i>Vă rugăm să prezentați un formular DUAE separat care să cuprindă informațiile solicitate în secțiunile A și B din această parte și din partea III pentru fiecare dintre entitățile în cauză, completat și semnat în mod corespunzător de entitățile în cauză. Vă atragem atenția asupra faptului că trebuie incluși, de asemenea, tehnicienii sau organismele tehnice implicate, indiferent dacă fac sau nu parte din întreprinderea operatorului economic, în special cei care răspund de controlul calității și, în cazul contractelor de achiziții publice de lucrări, tehnicienii sau organismele tehnice la care poate face apel operatorul economic în vederea executării lucrărilor. în măsura în care este relevant pentru capacitatea (capacitățile) specifică (specifice) utilizată (utilizate) de operatorul economic, vă rugăm să includeți informațiile prevăzute în părțile IV și V pentru fiecare dintre entitățile în cauză.</i>	
D.	Informații privind subcontractanții pe ale căror capacități operatorul economic nu se bazează	Răspuns Se completează de către operatorii economici text
	<i>Secțiunea se completează numai în cazul în care această informație este solicitată în mod explicit de către autoritatea contractantă sau entitatea contractantă.</i>	
	Operatorul economic intenționează să subcontracteze vreo parte din contract unor terți?	Se selectează de către operatorii economici <input type="checkbox"/> Da <input checked="" type="checkbox"/> Nu
	Dacă da și în măsura în care se cunoaște, vă rugăm să enumerați subcontractanții propuși.	
	<i>Dacă autoritatea contractantă sau entitatea contractantă solicită în mod explicit aceste informații, în plus față de informațiile din partea I, vă rugăm să furnizați informațiile solicitate în secțiunile A și B din această parte și din partea III pentru fiecare dintre subcontractanții (categoriile de subcontractanți) în cauză.</i>	

Partea III – Motive de excludere

Partea III a formularului DUAЕ se completează online de către autoritatea contractantă, entitatea contractantă și operatorii economici.

A.	Motive referitoare la condamnările penale	
	<p>Art.18 din Legea nr.131 din 03.07.2015 stabilește următoarele motive de excludere.</p> <p><i>Al. (1) Autoritatea contractantă are obligația de a exclude din procedura de atribuire a contractului de achiziții publice orice ofertant sau candidat despre care are cunoștință că, în ultimii 5 ani, a fost condamnat, prin hotărârea definitivă a unei instanțe judecătorești, pentru participare la activități ale unei organizații sau grupări criminale, pentru corupție, pentru fraudă și/sau pentru spălare de bani, pentru infracțiuni de terorism sau infracțiuni legate de activități teroriste, finanțarea terorismului, exploatarea prin muncă a copiilor și alte forme de trafic de persoane.</i></p> <p><i>Al. (1¹) Obligația de excludere a ofertantului / candidatului se aplică și în cazul în care persoana condamnată printr-o hotărâre definitivă a unei instanțe de judecată pentru infracțiunile prevăzute la alin.1 este membru al organismului de administrare, de conducere sau de control în cadrul acestuia.</i></p> <p><i>Al. (6) Orice ofertant/candidat care se află în una din situațiile menționate la art.18 alin. (1) și (2) din legea 131/03.07.2018 privind achizițiile publice, furnizează dovezi care să arate că măsurile luate de el sânt suficiente pentru a demonstra fiabilitatea sa, în pofida existenței unui motiv de excludere. Dacă autoritatea contractantă consideră astfel de dovezi suficiente, ofertantul/candidatul în cauză nu este exclus de la procedura de achiziție publică.</i></p> <p><i>Al. (7) În sensul alin. (6), ofertantul/candidatul dovedește că a plătit sau s-a angajat să plătească o compensație în ceea ce privește eventualele prejudicii cauzate prin infracțiune sau prin abateri, că a clarificat complet faptele și împrejurările cooperând activ cu autoritățile abilitate să investigheze cazul și că a întreprins măsuri concrete la nivel tehnic, organizațional și în materie de personal, adecvate pentru a preveni orice noi infracțiuni sau abateri.</i></p> <p><i>Al. (8) Măsurile întreprinse de către ofertant/candidat în sensul alin. (7) sânt evaluate ținând seama de gravitatea și circumstanțele particulare ale infracțiunii sau ale abaterii. În cazul în care consideră că măsurile întreprinse sânt insuficiente, autoritatea contractantă informează ofertantul/candidatul despre motivele excluderii.</i></p> <p><i>Al. (9) Un ofertant/candidat care a fost exclus prin hotărâre definitivă a unei instanțe de judecată de la participarea la procedurile de achiziții publice nu are dreptul să facă uz de posibilitatea prevăzută la alin. (6)–(8).</i></p>	
	Participare la o organizație criminală <i>Text</i>	<input type="checkbox"/> Da <input checked="" type="checkbox"/> Nu
	Corupție <i>Text</i>	<input type="checkbox"/> Da <input checked="" type="checkbox"/> Nu
	Fraude <i>Text</i>	<input type="checkbox"/> Da <input checked="" type="checkbox"/> Nu
	Infracțiuni teroriste sau infracțiuni legate de activitățile teroriste <i>Text</i>	<input type="checkbox"/> Da <input checked="" type="checkbox"/> Nu
	Spălare de bani sau finanțarea terorismului <i>Text</i>	<input type="checkbox"/> Da <input checked="" type="checkbox"/> Nu
	Exploatarea prin muncă a copiilor și alte forme de trafic de persoane <i>Text</i>	<input type="checkbox"/> Da <input checked="" type="checkbox"/> Nu
B.	Motive legate de plata impozitelor sau a contribuțiilor la asigurările sociale	
	<p>Art.18 din Legea nr.131 din 03.07.2015 stabilește următoarele motive de excludere.</p> <p><i>Al. (2) Autoritatea contractantă are obligația de a exclude din procedura de atribuire a contractului de achiziții publice orice ofertant sau candidat care se află în oricare dintre următoarele situații:</i></p> <p><i>Lit. (b) nu și-a îndeplinit obligațiile de plată a impozitelor, taxelor și contribuțiilor de asigurări sociale în conformitate cu prevederile legale în vigoare în Republica Moldova sau în țara în care este stabilit.</i></p> <p><i>Al. (2²) Prin derogare de la alin.2 lit. b), ofertantul/candidatul nu este exclus din procedura de atribuire dacă beneficiază, în condițiile legii, de eșalonarea obligațiilor de plată a impozitelor, taxelor și contribuțiilor de asigurări sociale ori de alte facilități în vederea plății</i></p>	

	<i>acestora, inclusiv a majorărilor de întârziere (penalităților) și/sau a amenzilor.</i>	
	Plata impozitelor text	<input type="checkbox"/> Da <input checked="" type="checkbox"/> Nu
	Această încălcare a obligațiilor a fost stabilită prin alte mijloace decât o hotărâre judecătorească sau administrativă?	<input type="checkbox"/> Da <input checked="" type="checkbox"/> Nu
	În cazul în care această încălcare a obligațiilor a fost stabilită printr-o hotărâre judecătorească sau administrativă, această decizie este definitivă și obligatorie? <i>Vă rugăm să precizați data condamnării</i> <i>În cazul unei condamnări, durată perioadei de excludere, în măsura în care aceasta este stabilită direct în condamnare</i> <i>Descrieți ce mijloace au fost utilizate</i>	<input type="checkbox"/> Da <input checked="" type="checkbox"/> Nu Se completează de către operatorii economici text
	Operatorul economic și-a îndeplinit obligațiile plătind impozitele sau contribuțiile la asigurările sociale datorate sau încheind un aranjament cu caracter obligatoriu în vederea plății acestora, inclusiv, după caz, a eventualelor dobânzi acumulate sau a amenzilor? <i>Vă rugăm să le descrieți</i> <i>Aceste informații sunt disponibile gratuit pentru autorități, dintr-o bază de date națională?</i>	<input type="checkbox"/> Da <input checked="" type="checkbox"/> Nu <input type="checkbox"/> Da <input type="checkbox"/> Nu se completează de către operatorul economic: text adresa de internet, autoritatea emitentă sau organismul emitent. Referința exactă a documentației.
	Plata asigurărilor sociale	
	Operatorul economic și-a încălcat obligațiile cu privire la plata contribuțiilor la asigurările sociale atât pe teritoriul Republicii Moldova, cât și în alte state?	
	Această încălcare a obligațiilor a fost stabilită prin alte mijloace decât o hotărâre judecătorească sau administrativă?	<input type="checkbox"/> Da <input checked="" type="checkbox"/> Nu
	În cazul în care această încălcare a obligațiilor a fost stabilită printr-o hotărâre judecătorească sau administrativă, această decizie este definitivă și obligatorie? <i>Vă rugăm să precizați data condamnării</i> <i>În cazul unei condamnări, durată perioadei de excludere, în măsura în care aceasta este stabilită direct în condamnare</i> <i>Descrieți ce mijloace au fost utilizate</i>	<input type="checkbox"/> Da <input checked="" type="checkbox"/> Nu
	Operatorul economic și-a îndeplinit obligațiile plătind impozitele sau contribuțiile la asigurările sociale datorate sau încheind un aranjament cu caracter obligatoriu în vederea plății acestora, inclusiv, după caz, a eventualelor dobânzi acumulate sau a amenzilor? <i>Vă rugăm să le descrieți</i> <i>Aceste informații sunt disponibile gratuit pentru autorități, dintr-o bază de date națională ?</i>	<input type="checkbox"/> Da <input checked="" type="checkbox"/> Nu se completează de către operatorul economic: text adresa de internet, autoritatea emitentă sau organismul emitent. Referința exactă a

		documentației.
C.	Includerea în lista de interdicție a operatorilor economici.	
	Este operatorul economic înscris în lista de interdicție a operatorilor economici în conformitate cu Articolul 18 al. e) din Legea nr.131 din 03.07.2015 privind achizițiile publice.	<input type="checkbox"/> Da <input checked="" type="checkbox"/> Nu
D.	Motive legate de insolvență, conflicte de interese sau abateri profesionale	
	<p>Art.18 al. 2 din Legea nr.131 din 03.07.2015 stabilește următoarele motive de excludere.</p> <p>lit. (a) se află în proces de insolvabilitate ca urmare a hotărârii judecătorești;</p> <p>lit. (c) a fost condamnat, în ultimii 3 ani, prin hotărârea definitivă a unei instanțe judecătorești, pentru o faptă care a adus atingere eticii profesionale sau pentru comiterea unei greșeli în materie profesională;</p> <p>lit. (d) a prezentat informații false sau nu a prezentat informațiile solicitate de către autoritatea contractantă în scopul demonstrării îndeplinirii criteriilor de calificare și selecție;</p> <p>lit. (d¹) a încălcat obligațiile aplicabile în domeniul mediului, muncii și asigurărilor sociale, în cazul în care autoritatea contractantă demonstrează, prin orice mijloace adecvate, acest fapt;</p> <p>lit. (d²) se face vinovat de o abatere profesională, care îi pune la îndoială integritatea, în cazul în care autoritatea contractantă demonstrează, prin orice mijloace adecvate, acest fapt;</p> <p>lit. (d³) a încheiat cu alți operatori economici acorduri care vizează denaturarea concurenței, în cazul în care acest fapt se constată prin decizie a organului abilitat în acest sens;</p> <p>lit. (d⁴) se află într-o situație de conflict de interese care nu poate fi remediată în mod efectiv prin măsurile prevăzute la art. 74.</p>	
	În măsura cunoștințelor sale, operatorul economic și-a încălcat obligațiile în domeniul mediului ?	<input type="checkbox"/> Da <input checked="" type="checkbox"/> Nu
	Ați luat măsuri pentru a demonstra fiabilitatea dumneavoastră (autocorectare) <i>Vă rugăm să le descrieți</i>	<input type="checkbox"/> Da <input checked="" type="checkbox"/> Nu
	În măsura cunoștințelor sale, operatorul economic și-a încălcat obligațiile în domeniul social?	<input type="checkbox"/> Da <input checked="" type="checkbox"/> Nu
	Ați luat măsuri pentru a demonstra fiabilitatea dumneavoastră (autocorectare) <i>Vă rugăm să le descrieți</i>	<input type="checkbox"/> Da <input checked="" type="checkbox"/> Nu
	În măsura cunoștințelor sale, operatorul economic și-a încălcat obligațiile în domeniul muncii?	<input type="checkbox"/> Da <input checked="" type="checkbox"/> Nu
	Ați luat măsuri pentru a demonstra fiabilitatea dumneavoastră (autocorectare) <i>Vă rugăm să le descrieți</i>	<input type="checkbox"/> Da <input checked="" type="checkbox"/> Nu
	Falimentul	
	Operatorul economic este în stare de faliment? <i>Vă rugăm să le descrieți</i>	<input type="checkbox"/> Da <input checked="" type="checkbox"/> Nu
	<i>Precizați motivele pentru care veți putea fi, totuși, în măsură să executați contractul. Nu este necesar să se furnizeze aceste informații în cazul în care excluderea operatorilor economici în acest caz a devenit obligatorie în temeiul legislației naționale aplicabile, fără nicio posibilitate de derogare atunci când operatorul economic este, totuși în măsură să execute contractul.</i>	
	<i>Aceste informații sunt disponibile gratuit pentru autorități, dintr-o bază de date națională ?</i>	<input type="checkbox"/> Da <input checked="" type="checkbox"/> Nu se completează de către operatorul economic: text adresa de internet, autoritatea emitentă sau organismul emitent. Referința

		exactă a documentației.
	Insolvența	
	Operatorul economic este în situație de insolvență sau de lichidare? <i>Vă rugăm să le descrieți</i>	<input type="checkbox"/> Da <input checked="" type="checkbox"/> Nu
	<i>Precizați motivele pentru care veți putea fi, totuși, în măsură să executați contractul. Nu este necesar să se furnizeze aceste informații în cazul în care excluderea operatorilor economici în acest caz a devenit obligatorie în temeiul legislației naționale aplicabile, fără nicio posibilitate de derogare atunci când operatorul economic este, totuși în măsură să execute contractul.</i>	
	<i>Aceste informații sunt disponibile gratuit pentru autorități, dintr-o bază de date națională ?</i>	<input type="checkbox"/> Da <input checked="" type="checkbox"/> Nu se completează de către operatorul economic: text adresa de internet, autoritatea emitentă sau organismul emitent. Referința exactă a documentației.
	Faliment	
	Operatorul economic se află într-o situație similară, cum ar fi falimentul, care rezultă dintr-o procedură similară din legislațiile sau reglementările naționale? <i>Vă rugăm să le descrieți</i>	<input type="checkbox"/> Da <input checked="" type="checkbox"/> Nu
	<i>Precizați motivele pentru care veți putea fi, totuși, în măsură să executați contractul. Nu este necesar să se furnizeze aceste informații în cazul în care excluderea operatorilor economici în acest caz a devenit obligatorie în temeiul legislației naționale aplicabile, fără nicio posibilitate de derogare atunci când operatorul economic este, totuși în măsură să execute contractul.</i>	
	<i>Aceste informații sunt disponibile gratuit pentru autorități, dintr-o bază de date națională ?</i>	<input type="checkbox"/> Da <input checked="" type="checkbox"/> Nu se completează de către operatorul economic: adresa de internet, autoritatea emitentă sau organismul emitent. Referința exactă a documentației.
	Active administrate de lichidator	
	Activele operatorului economic sunt administrate de un lichidator sau de o instanță? <i>Vă rugăm să le descrieți</i>	<input type="checkbox"/> Da <input checked="" type="checkbox"/> Nu
	<i>Precizați motivele pentru care veți putea fi, totuși, în măsură să executați contractul. Nu este necesar să se furnizeze aceste informații în cazul în care excluderea operatorilor economici în acest caz a devenit obligatorie în temeiul legislației naționale aplicabile, fără nicio posibilitate de derogare atunci când operatorul economic este, totuși în măsură să execute contractul.</i>	
	<i>Aceste informații sunt disponibile gratuit pentru autorități, dintr-o bază de date națională ?</i>	<input type="checkbox"/> Da <input checked="" type="checkbox"/> Nu se completează de către operatorul economic: text adresa de internet, autoritatea emitentă

		sau organismul emitent. Referința exactă a documentației.
	Activitățile economice sunt suspendate	
	Activitățile economice ale operatorului economic sunt suspendate? <i>Vă rugăm să le descrieți</i>	<input type="checkbox"/> Da <input checked="" type="checkbox"/> Nu
	<i>Precizați motivele pentru care veți putea fi, totuși, în măsură să executați contractul. Nu este necesar să se furnizeze aceste informații în cazul în care excluderea operatorilor economici în acest caz a devenit obligatorie în temeiul legislației naționale aplicabile, fără nicio posibilitate de derogare atunci când operatorul economic este, totuși în măsură să execute contractul.</i>	
	<i>Aceste informații sunt disponibile gratuit pentru autorități, dintr-o bază de date națională ?</i>	<input type="checkbox"/> Da <input type="checkbox"/> Nu se completează de către operatorul economic: text adresa de internet, autoritatea emitentă sau organismul emitent. Referința exactă a documentației.
	Acorduri cu alți operatori economici care vizează denaturarea concurenței	
	Operatorul economic a încheiat acorduri cu alți operatori economici care au ca obiect denaturarea concurenței? <i>Vă rugăm să le descrieți</i>	<input type="checkbox"/> Da <input checked="" type="checkbox"/> Nu
	<i>Precizați motivele pentru care veți putea fi, totuși, în măsură să executați contractul. Nu este necesar să se furnizeze aceste informații în cazul în care excluderea operatorilor economici în acest caz a devenit obligatorie în temeiul legislației naționale aplicabile, fără nicio posibilitate de derogare atunci când operatorul economic este, totuși în măsură să execute contractul.</i>	
	Ați luat măsuri pentru a demonstra fiabilitatea dumneavoastră (autocorectare) <i>Vă rugăm să le descrieți</i>	<input type="checkbox"/> Da <input checked="" type="checkbox"/> Nu
	Conflict de interese care decurge din participarea la procedura de achiziții publice.	
	Operatorul economic are cunoștință de vreun conflict de interese, astfel cum se precizează în legislația națională, anunțul relevant sau documentele achiziției, care decurge din participarea sa la procedura de achiziții publice? <i>Vă rugăm să le descrieți</i>	<input type="checkbox"/> Da <input checked="" type="checkbox"/> Nu
	Implicare directă sau indirectă în pregătirea acestei proceduri de achiziții publice	
	Operatorul economic sau o întreprindere care are legături cu acesta a oferit consultanță autorității contractante sau entității contractante sau a participat în orice alt mod la pregătirea procedurii de achiziții publice? <i>Vă rugăm să le descrieți</i>	<input type="checkbox"/> Da <input checked="" type="checkbox"/> Nu
	Încetare anticipată, daune-interese sau alte sancțiuni comparabile	
	Operatorul economic s-a aflat într-o situație în care	<input type="checkbox"/> Da

	<p>un contract de achiziții publice anterior, un contract anterior încheiat cu o entitate contractantă sau un contract de concesiune anterior a fost realizat anticipat sau au fost impuse daune-interese sau alte sancțiuni comparabile în legătură cu respectivul contract anterior: <i>Vă rugăm să descrieți</i></p>	<input checked="" type="checkbox"/> <input type="checkbox"/> Nu
	<p>Ați luat măsuri pentru a demonstra fiabilitatea dumneavoastră (autocorectare) <i>Vă rugăm să le descrieți</i></p>	<input type="checkbox"/> Da <input checked="" type="checkbox"/> <input type="checkbox"/> Nu
	<p>Vinovat de interpretare eronată, nedivulgare de informații, incapacitate de a furniza documentele necesare și obținere de informații confidențiale referitoare la această procedură</p>	
	<p>Operatorul economic s-a aflat într-una dintre situațiile următoare:</p> <p>a) Nu s-a făcut grav vinovat de declarații false la furnizarea informațiilor necesare pentru verificarea absenței motivelor de excludere sau a îndeplinirii criteriilor de selecție;</p> <p>b) A ascuns astfel de informații;</p> <p>c) Nu a fost în măsură să furnizeze, fără întârziere, documentele justificative solicitate de autoritatea contractantă sau de entitatea contractantă, și</p> <p>d) A încercat să influențeze în mod nepermis procesul decizional al autorității contractante sau entității contractante, să obțină informații confidențiale care i-ar putea conferi avantaje necuvenite în cadrul procedurii de achiziții publice sau că a furnizat din neglijență informații false care pot avea o influență semnificativă asupra deciziilor privind excluderea, selecția și atribuirea?</p>	<input type="checkbox"/> Da <input checked="" type="checkbox"/> <input type="checkbox"/> Nu
	<p>Art.18 din Legea nr.131 din 03.07.2015 prevede: <i>Al. (3) Autoritatea contractantă extrage informația necesară pentru constatarea existenței sau inexistenței circumstanțelor descrise la alin. (1) și (2) din bazele de date disponibile ale autorităților publice sau ale părților terțe. Dacă acest lucru nu este posibil, autoritatea contractantă are obligația de a accepta ca fiind suficient și relevant pentru demonstrarea faptului că ofertantul/candidatul nu se încadrează în niciuna dintre situațiile prevăzute la alin. (1) și (2) orice document considerat edificator, din acest punct de vedere, în țara de origine sau în țara în care ofertantul/candidatul este stabilit, cum ar fi certificate, caziere juridice sau alte documente echivalente emise de autorități competente din țara respectivă. Al. (4) În ceea ce privește situațiile menționate la alin. (2), în conformitate cu legislația internă a statului în care sânt stabiliți ofertanții/candidații, prevederile alin. (3) se referă la persoane fizice și persoane juridice, inclusiv, după caz, la directori de companii sau la orice persoană cu putere de reprezentare, de decizie ori de control privind ofertantul/candidatul. Al.(5) În cazul în care în țara de origine sau în țara în care este stabilit ofertantul/candidatul nu se emit documente de natura celor specificate la alin. (3) sau aceste documente nu vizează toate situațiile prevăzute la alin. (1) și (2), autoritatea contractantă are obligația de a accepta o declarație pe propria răspundere sau, dacă în țara respectivă nu există prevederi legale referitoare la declarația pe propria răspundere, o declarație autentică dată în fața unui notar, a unei autorități administrative sau judiciare sau a unei asociații profesionale care are competențe în acest sens.</i></p>	

Partea IV – Criteriile de selecție

Partea IV se completează online de către autoritatea contractantă, entitatea contractantă și operatorii economici și include.

A.	Capacitatea de a corespunde cerințelor	
	Art.21 din Legea nr.131 din 03.07.2015 stabilește următoarele motive de selecție:	
	Înscrierea într-un registru profesional relevant:	
	Este înscris între-unul dintre registrele profesionale sau comerciale relevante naționale sau din statele membre UE în care este stabilit	<input checked="" type="checkbox"/> Da <input type="checkbox"/> Nu
	<p><i>Aceste informații sunt disponibile gratuit pentru autorități, dintr-o bază de date națională ?</i></p> <p><i>see: extract from Commercial Registry (annex to this quotation)</i></p>	<input type="checkbox"/> Da <input checked="" type="checkbox"/> <input type="checkbox"/> Nu se completează de către operatorul economic: text adresa de internet, autoritatea emitentă sau organismul emitent. Referința exactă a documentației.
	Este necesară o autorizație pentru ca operatorul economic să poată presta serviciul în cauză în țara unde este stabilit: <i>Vă rugăm să le descrieți</i>	<input type="checkbox"/> Da <input checked="" type="checkbox"/> <input type="checkbox"/> Nu
	<p><i>Aceste informații sunt disponibile gratuit pentru autorități, dintr-o bază de date națională ?</i></p>	<input type="checkbox"/> Da <input checked="" type="checkbox"/> <input type="checkbox"/> Nu se completează de către operatorul economic: text adresa de internet, autoritatea emitentă sau organismul emitent. Referința exactă a documentației.
B.	Capacitatea economică și financiară	
	Articolul 20 al.1 din Legea 131 din 03.07.2018 privind achizițiile publice, stabilește că, <i>Demonstrarea capacității economice și financiare a operatorului economic se realizează prin prezentarea unuia sau a mai multor documente relevante, cum ar fi</i>	
	Declarații bancare	
	Operatorul economic va fi în măsură să furnizeze declarații bancare sau, după caz, dovezi privind asigurarea riscului profesional, sau să furnizeze informații care să îi permită autorității contractante sau entității contractante să obțină aceste informații direct prin accesarea unei baze de date naționale în orice stat, disponibilă în mod gratuit? <i>Vă rugăm să le descrieți</i>	<input checked="" type="checkbox"/> Da <input type="checkbox"/> <input type="checkbox"/> Nu

	<p>Aceste informații sunt disponibile gratuit pentru autorități, dintr-o bază de date națională ?</p> <p>see attached documents from public accountant bswp</p>	<input type="checkbox"/> Da <input checked="" type="checkbox"/> Nu se completează de către operatorul economic: text adresa de internet, autoritatea emitentă sau organismul emitent. Referința exactă a documentației.
	<p>Cifra de afaceri anuală Art. 20 din Legea 131 din 03.07.2018 privind achizițiile publice, stabilește că. Al. (1¹) În sensul alin. (1) lit. c), cifra de afaceri anuală minimă impusă operatorilor economici nu trebuie să depășească de două ori valoarea estimată a contractului, cu excepția cazurilor bine justificate, precum cele legate de riscurile speciale aferente naturii bunurilor, lucrărilor sau serviciilor. Autoritatea contractantă indică principalele motive pentru o astfel de cerință în documentația de atribuire. Atunci când un contract este împărțit în loturi, indicele cifrei de afaceri se aplică pentru fiecare lot individual. Cu toate acestea, autoritatea contractantă stabilește cifra de afaceri anuală minimă impusă operatorilor economici cu referire la grupuri de loturi, dacă ofertantului câștigător îi sânt atribuite mai multe loturi care trebuie executate în același timp. În cazul în care urmează să se atribuiască contracte bazate pe un acord-cadru, cifra de afaceri anuală maximă se calculează în funcție de dimensiunea maximă anticipată a contractelor specifice care vor fi executate în același timp sau, dacă aceasta nu este cunoscută, pe baza valorii estimate a acordului-cadru. În cazul unor sisteme dinamice de achiziții, cifra de afaceri anuală maximă se calculează pe baza dimensiunii maxime anticipate a contractelor specifice care urmează să fie atribuite în cadrul sistemului respectiv.</p>	
	<p>Cifra de afaceri anuală pentru numărul de exerciții financiare impus în anunțul relevant, în documentele achiziției sau în DUAE, este după cum urmează: Se completează de către autoritatea contractantă Valoare</p>	Se completează de către operatorul economic Cifra de afaceri: [număr]
	<p>Aceste informații sunt disponibile gratuit pentru autorități, dintr-o bază de date națională ?</p>	<input type="checkbox"/> Da <input type="checkbox"/> Nu se completează de către operatorul economic: text adresa de internet, autoritatea emitentă sau organismul emitent. Referința exactă a documentației.

	<p align="center">Cifra de afaceri medie anuală</p> <p>Cifra de afaceri medie anuală pentru numărul de ani impus în anunțul relevant, în documentele achiziției sau în DUAE, este după cum urmează: <i>Se completează de către autoritatea contractantă</i></p> <p>Număr de ani Valoare</p> <p><i>see information about annual turnover in the accompanying letter</i></p>	<p>Se completează de către operatorul economic An: [număr] Cifra de afaceri: [număr] An: [număr] Cifra de afaceri: [număr] An: [număr] Cifra de afaceri: [număr]</p>
	<p><i>Aceste informații sunt disponibile gratuit pentru autorități, dintr-o bază de date națională ?</i></p> <p><i>see : https://www.bundesanzeiger.de</i></p>	<p><input checked="" type="checkbox"/> Da <input type="checkbox"/> Nu se completează de către operatorul economic: text adresa de internet, autoritatea emitentă sau organismul emitent. Referința exactă a documentației.</p>
	<p align="center">Raport financiar</p>	
	<p>Operatorul economic va fi în măsură să furnizeze raportul financiar înregistrat, extrase din raportul financiar, sau să furnizeze informații care să îi permită autorității contractante sau entității contractante să obțină acest raport direct prin accesarea unei baze de date naționale în orice stat, disponibilă în mod gratuit?</p>	<p><input checked="" type="checkbox"/> Da <input type="checkbox"/> Nu</p>
	<p><i>Aceste informații sunt disponibile gratuit pentru autorități, dintr-o bază de date națională?</i></p> <p><i>see : https://www.bundesanzeiger.de</i></p>	<p><input checked="" type="checkbox"/> Da <input type="checkbox"/> Nu se completează de către operatorul economic: text adresa de internet, autoritatea emitentă sau organismul emitent. Referința exactă a documentației.</p>
<p align="center"><i>Dacă autoritatea contractantă sau entitatea contractantă solicită în anunțul de participare</i></p>		

	<i>prezentarea unor formulare care conțin informații privind capacitatea economică sau financiară, vă rugăm să furnizați formularele solicitate în anunțul de participare.</i>	
	<p>Art. 20 din Legea 131 din 03.07.2018 privind achizițiile publice, stabilește că.</p> <p><i>Al. (5) În cazul în care ofertantul/candidatul își demonstrează capacitatea economică și financiară invocând și susținerea acordată, în conformitate cu prevederile alin. (4), de către o altă persoană, acesta are obligația de a dovedi susținerea de care beneficiază prin prezentarea în formă scrisă a unui angajament ferm al persoanei respective, încheiat în formă autentică, prin care această persoană confirmă faptul că va pune la dispoziția ofertantului/candidatului resursele financiare invocate. Persoana care asigură susținerea financiară trebuie să îndeplinească criteriile de selecție relevante și nu trebuie să se afle în niciuna dintre situațiile prevăzute la art. 18 alin. (1) și alin. (2) lit. a), c)–d³), care determină excluderea din procedura de atribuire.</i></p> <p><i>Al. (6) Atunci când ofertantul/candidatul se bazează pe capacitățile altei persoane în ceea ce privește criteriile referitoare la capacitatea economică și financiară, autoritatea contractantă solicită ca ofertantul/candidatul și acea persoană să fie răspunzătoare solidar pentru executarea contractului.</i></p> <p><i>Al. (7) În aceleași condiții prevăzute la alin. (4)–(6), o asociație de operatori economici are dreptul să se bazeze pe capacitățile membrilor asociației sau ale altor persoane.</i></p>	
C.	Capacitatea tehnică și/sau profesională	
	Art.21 din Legea nr.131 din 03.07.2015 stabilește următoarele motive de selecție:	
	Operatorul economic va fi în măsură să furnizeze documentele solicitate de către autoritatea contractantă sau entitatea contractantă în anunțul de participare, care demonstrează capacitatea tehnică și/sau profesională pentru executarea viitorului contract, sau să furnizeze informații care să îi permită autorității contractante sau entității contractante să obțină aceste informații direct prin accesarea unei baze de date naționale în orice stat, disponibilă în mod gratuit?	<input checked="" type="checkbox"/> Da <input type="checkbox"/> Nu
	<p><i>Aceste informații sunt disponibile gratuit pentru autorități, dintr-o bază de date națională?</i></p> <p><i>sec: attached two certificates from Sächsischer Landeskontrollverband e.V. and extract from Commercial Registry</i></p>	<input type="checkbox"/> Da <input checked="" type="checkbox"/> Nu se completează de către operatorul economic: text adresa de internet, autoritatea emitentă sau organismul emitent. Referința exactă a documentației.
	<i>Dacă autoritatea contractantă sau entitatea contractantă solicită în anunțul de participare prezentarea unor formulare care conțin informații privind capacitatea tehnică sau profesională, vă rugăm să furnizați formularele solicitate în anunțul de participare.</i>	
	Pentru contractele de achiziție de lucrări: executarea de lucrări de tipul specificat	
	Numai pentru contractele de achiziții publice de lucrări: în perioada de referință, operatorul economic a îndeplinit următoarele lucrări de tipul specificat. Autoritățile contractante pot solicita experiența de până la cinci ani și pot accepta experiența acumulată în urmă cu peste cinci ani.	

	Descriere	
	Valoare	
	Data de începere	
	Data de încheiere	
	Beneficiari	
	<i>Aceste informații sunt disponibile gratuit pentru autorități, dintr-o bază de date națională?</i>	<input type="checkbox"/> Da <input type="checkbox"/> Nu se completează de către operatorul economic: text adresa de internet, autoritatea emitentă sau organismul emitent. Referința exactă a documentației.
	Pentru contractele de achiziție de bunuri, servicii: executarea de livrări, prestări de tipul specificat	
	Numai pentru contractele de achiziții publice de bunuri și servicii: în perioada de referință, operatorul economic a efectuat următoarele livrări, prestări principale de tipul specificat în anunțul de participare. Autoritățile contractante pot solicita experiența de până la trei ani și pot accepta experiența acumulată în urmă cu peste trei ani. <i>Vă rugăm să le descrieți</i>	
	Valoare <i>see list of reference projects in accompanying letter</i>	
	Data de începere	
	Data de încheiere	
	Beneficiari	
	<i>Aceste informații sunt disponibile gratuit pentru autorități, dintr-o bază de date națională?</i>	<input type="checkbox"/> Da <input checked="" type="checkbox"/> Nu se completează de către operatorul economic: text adresa de internet, autoritatea emitentă sau organismul emitent. Referința exactă a documentației.
	<i>Dacă autoritatea contractantă sau entitatea contractantă solicită în anunțul de participare prezentarea unor formulare, vă rugăm să furnizați formularele solicitate în anunțul de participare.</i>	
	Instalații tehnice și măsuri de asigurare a calității	
	Vă rugăm să furnizați detalii referitoare la tehnicieni sau	

	organismele tehnice pe care operatorul economic le poate solicita, în special cele responsabile de controlul calității în legătură cu acest exercițiu de achiziții publice. <i>Vă rugăm să le descrieți</i>	
	vă rugăm să furnizați o declarație cu privire la sisteme de management și de trasabilitate în cadrul lanțului de aprovizionare utilizate. <i>see information about</i>	<input checked="" type="checkbox"/> Da <input type="checkbox"/> Nu
	<i>quality management system in accompanying letter</i>	<input type="checkbox"/> Da <input checked="" type="checkbox"/> Nu
	<i>Aceste informații sunt disponibile gratuit pentru autorități, dintr-o bază de date națională?</i>	se completează de către operatorul economic: text adresa de internet, autoritatea emitentă sau organismul emitent. Referința exactă a documentației.
	<i>Dacă autoritatea contractantă sau entitatea contractantă solicită în anunțul de participare prezentarea unor formulare, vă rugăm să furnizați formularele solicitate în anunțul de participare.</i>	
	Permiterea controalelor	
	Pentru produsele sau serviciile complexe care urmează să fie furnizate sau, în mod excepțional, pentru produsele sau serviciile necesare cu un scop anume. Operatorul economic va permite efectuarea de verificări ale capacităților de producție sau ale capacității tehnice a operatorului economic și, dacă este necesar, ale mijloacelor de studiu și de cercetare de care dispune și ale măsurilor de control al calității? Vă rugăm să rețineți că, în cazul în care operatorul economic a decis să subcontracteze o parte din contract și se bazează pe capacitățile subcontractantului pentru executarea părții respective, trebuie să completați un DUAE separat pentru astfel de subcontractanți. <i>Permiteți verificări</i>	<input checked="" type="checkbox"/> Da <input type="checkbox"/> Nu
	Diplome de studii și calificări profesionale	
	Următoarele calificări educaționale și profesionale sunt deținute de prestatorul de servicii sau de contractantul însuși și/sau în funcție de cerințele stabilite în anunțul de participare sau în documentele procedurii de achiziție de către personalul său de conducere. <i>Vă rugăm să le descrieți see accompanying letter</i>	
	<i>Aceste informații sunt disponibile gratuit pentru autorități, dintr-o bază de date națională?</i>	<input type="checkbox"/> Da <input checked="" type="checkbox"/> Nu
		se completează de către operatorul economic: text

		adresa de internet, autoritatea emitentă sau organismul emitent. Referința exactă a documentației.
	<i>Dacă autoritatea contractantă sau entitatea contractantă solicită în anunțul de participare prezentarea unor formulare, vă rugăm să furnizați formularele solicitate în anunțul de participare.</i>	
	Măsuri de management al mediului	
	Operatorul economic va putea să aplice următoarele măsuri de management de mediu atunci când execută contractul: <i>Vă rugăm să le descrieți see ÖkoProfi't certificate</i>	
	<i>Aceste informații sunt disponibile gratuit pentru autorități, dintr-o bază de date națională?</i>	<input type="checkbox"/> Da <input checked="" type="checkbox"/> <input type="checkbox"/> Nu se completează de către operatorul economic: text adresa de internet, autoritatea emitentă sau organismul emitent. Referința exactă a documentației.
	Numărul membrilor personalului de conducere	
	Numărul membrilor personalului de conducere ale operatorului economic din ultimii trei ani au fost după cum urmează. <i>see accompanying letter</i>	Anul Număr Anul Număr Anul Număr
	Pentru contractele de achiziție de bunuri/servicii: eşantioane, descrieri sau fotografii, fără certificate de autenticitate	
	Pentru contractele de achiziții publice de bunuri/servicii: operatorul economic va furniza eşantioanele, descrierile sau fotografiile solicitate ale produselor/serviciilor care urmează să fie furnizate/prestate, care nu trebuie să fie însoțite de certificate de autenticitate.	<input checked="" type="checkbox"/> Da <input type="checkbox"/> <input type="checkbox"/> Nu
	<i>Aceste informații sunt disponibile gratuit pentru autorități, dintr-o bază de date națională?</i> <i>see technical descriptions of offered products</i>	<input type="checkbox"/> Da <input checked="" type="checkbox"/> <input type="checkbox"/> Nu se completează de către operatorul economic: text adresa de internet,

		autoritatea emitentă sau organismul emitent. Referința exactă a documentației.
	<i>Dacă autoritatea contractantă sau entitatea contractantă solicită în anunțul de participare prezentarea unor formulare, vă rugăm să furnizați formularele solicitate în anunțul de participare.</i>	
D.	Sisteme de asigurare a calității și standarde de management de mediu.	
	Art. al din lege stabilește următoarele motive de selecție.	
	Certificate emise de organisme independente cu privire la sistemele sau standardele de management de mediu	<input checked="" type="checkbox"/> Da <input type="checkbox"/> Nu
	<i>Aceste informații sunt disponibile gratuit pentru autorități, dintr-o bază de date națională?</i> <i>see ÖkoProfit certificate</i>	<input type="checkbox"/> Da <input type="checkbox"/> Nu se completează de către operatorul economic: adresa de internet, autoritatea emitentă sau organismul emitent. Referința exactă a documentației.
	<i>Dacă autoritatea contractantă sau entitatea contractantă solicită în anunțul de participare prezentarea unor formulare, vă rugăm să furnizați formularele solicitate în anunțul de participare.</i>	

Partea V- Indicații generale pentru toate criteriile de selecție

Partea V - se completează online de către autoritatea contractantă, entitatea contractantă și operatorii economici și include.

A.	Îndeplinirea tuturor criteriilor de selecție impuse:	
	Operatorul economic va fi în măsură să furnizeze formularele, certificatele, avizele și alte documente indicate în anunțul de participare, sau să ofere informații care să îi permită autorității contractante sau entității contractante să obțină aceste documente, informații direct prin accesarea unei baze de date naționale în orice stat, disponibilă în mod gratuit? Termen 3 zile lucrătoare	<input checked="" type="checkbox"/> Da <input type="checkbox"/> Nu
	<i>Aceste informații sunt disponibile gratuit pentru autorități, dintr-o bază de date națională?</i>	<input type="checkbox"/> Da <input checked="" type="checkbox"/> Nu se completează de către operatorul economic: text

		adresa de internet, autoritatea emitentă sau organismul emitent. Referința exactă a documentației.
--	--	--

Partea VI - Preselecția candidaților calificați pentru procedura licitației restrânse, negociere, dialog competitiv și parteneriatul pentru inovare

Partea VI se completează online de către autoritatea contractantă, entitatea contractantă și operatorii economici și include.

Operatorul economic declară că: Îndeplinește criteriile sau regulile obiective și nediscriminatorii aplicabile pentru limitarea numărului de candidați în următorul mod:	
Operatorul economic declară că: Dispune de certificate sau alte forme de documente justificative, după cum este cerut de anunțul de participare relevant:	
<i>Aceste informații sunt disponibile gratuit pentru autorități, dintr-o bază de date națională?</i>	<input type="checkbox"/> Da <input checked="" type="checkbox"/> Nu se completează de către operatorul economic: text adresa de internet, autoritatea emitentă sau organismul emitent. Referința exactă a documentației.

Partea VII- Declarațiile finale

Operatorul economic declară că informațiile prezentate în părțile II - VI de mai sus sunt exacte și corecte și că au fost furnizate cunoscând pe deplin consecințele cazurilor grave de declarații false.

Operatorul economic declară în mod oficial că poate să furnizeze, la cerere și fără întârziere, certificatele și alte forme de documente justificative menționate, cu excepția cazului în care:

1. Autoritatea contractantă sau entitatea contractantă are posibilitatea de a obține documentele justificative în cauză direct prin accesarea unei bazei de date relevante care este disponibilă gratuit, și se consimte accesul la informațiile menționate, în cazul în care acest lucru este necesar.

Operatorul economic declară în mod oficial că este de acord ca **IP Serviciul Tehnologie Informației și Securitate Cibernetică**, astfel cum este descrisă în partea I secțiunea A să obțină acces la documentele justificative privind informațiile pe care le-a furnizat în acest Document Unic de Achiziție European în scopul [NUMĂRUL UNIC DE IDENTIFICARE AL PROCEDURII DE ACHIZIȚIE ȘI REFERINȚA DE PUBLICARE ÎN JURNALUL OFICIAL AL UNIUNII EUROPENE (NUMĂRUL DE REFERINȚĂ), DACĂ ESTE CAZUL].

ocds-b3wdp1-MD-1574407126168

Nume: [text] Reinhard Nehls
 Poziția: [text] Managing Director
 Data: [date] 06.12.2019
 Locul: [text] Bocholt
 Semnătura



Translation from the German Language

**NÜRNBERGER
VERSICHERUNG**

Dispatch via 142 06 2432
Copy for the support center

NÜRNBERGER, 90334

Caisley International GmbH
Mussum
Harderhook 31
46395 Bocholt

**NÜRNBERGER
Allgemeine Versicherungs-AG**

Your support centre
Rüther GmbH
Insurance broker
Dinxperloer Str. 18-20
46399 Bocholt
Tel. 02871 21840
Fax 02871 218419
info@ruether-gmbh.de

Your contact person
Sonja Steiger
Special service liability
Tel. 0911 531-4810
Fax 0911 531-7100

Nuremberg, 10.01.2019

Dear Sir/Madam

NÜRNBERGER liability insurance cover
Insurance policy number
Business liability insurance

Please state always
H 31/10 281 672

We hereby certify that business liability insurance exists with the following insured sums:

for injury to persons	2,000,000 EUR
for damage to property	1,000,000 EUR
for pecuniary damage	100,000 EUR

The insurer's overall benefit for all claims during the policy period amounts to twice as much as these insured sums and for environmental liability basic insurance the overall benefit remains as is.

According to our documents, insurance premiums are paid continuously.

Please call us if you still have questions.

Yours sincerely

NÜRNBERGER Allgemeine Versicherungs-AG

(Signature)
Peter Meier

(Signature)
Stefan Kreß

This is to certify that the foregoing page is a true and correct translation of the German Original Copy

Solingen, this 18th Day of February 2019

F. Herder





NÜRNBERGER
VERSICHERUNG

Versand über 142 06 2432
Kopie für Betreuungsstelle

NÜRNBERGER, 90334 Nürnberg

NÜRNBERGER
Allgemeine Versicherungs-AG

H

Caisley International GmbH
Mussum
Harderhook 31
46395 Bocholt

Ihre Betreuungsstelle
Rüther GmbH
Versicherungsmakler
Dinxperloer Str. 18-20
46399 Bocholt
Tel. 02871 21840
Fax 02871 218419
info@ruether-gmbh.de

Ihre Ansprechpartnerin
Sonja Steiger
Spezialservice Haftpflicht
Tel. 0911 531-4810
Fax 0911 531-7100

Nürnberg, 10.01.2019

NÜRNBERGER HaftpflichtSchutz
Versicherungsschein-Nr.
Betriebs-Haftpflichtversicherung

Bitte immer angeben
H 31/10 281 672

Sehr geehrte Damen und Herren,

gerne bestätigen wir Ihnen, dass die Betriebs-Haftpflichtversicherung mit folgenden Versicherungssummen besteht:

für Personenschäden	2.000.000 EUR
für Sachschäden	1.000.000 EUR
für Vermögensschäden	100.000 EUR

Die Gesamtleistung des Versicherers für alle Versicherungsfälle eines Versicherungsjahres beträgt das Doppelte dieser Versicherungssummen, bei der Umwelt-Haftpflicht-Basisversicherung das Einfache.

Die Versicherungsbeiträge sind nach unseren Unterlagen laufend bezahlt.

Wenn sich noch Fragen ergeben: Bitte rufen Sie uns an.

Mit freundlichen Grüßen

NÜRNBERGER Allgemeine Versicherungs-AG



Peter Meier

Stefan Kreß



G7087 T0000346 0000346 0030
37287 00005902 0047

Certificate

Standard **ISO 9001:2015**

Certificate Registr. No. **01 100 046014**

Certificate Holder:

Caisley
INTERNATIONAL GMBH

Caisley International GmbH
Harderhook 31
D - 46395 Bocholt

Scope: Development, production and sales of animal-identification-systems, Laser marking, Plastic injection molding

Proof has been furnished by means of an audit that the requirements of ISO 9001:2015 are met.

Validity: The certificate is valid from 2019-06-15 until 2022-06-14.
First certification 2004

2019-05-08


TÜV Rheinland Cert GmbH
Am Grauen Stein · 51105 Köln

www.tuv.com



Translation from the German Language

**ÖKOPROFIT
KREIS BORKEN**

Award

**Caisley International
GmbH**

receives the

**ÖKOPROFIT®
KREIS BORKEN 2018**

award

for the site in

Harderhook 31

46395 Bocholt

(Signature)

Dr. Kai Zwicker
District Administrator

**WEST MÜNSTERLAND
BORKEN DISTRICT
INFINITE POSSIBILITIES**

(Signature)

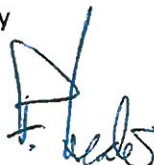
Dr. Heiner Kleinschneider
Wirtschaftsförderungsgesellschaft
für den Kreis Borken

WFG

FÜR DEN KREIS BORKEN MBH

This is to certify that the foregoing page is a true and
correct translation of the German Original Copy

Solingen, this 18th Day of February 2019





Auszeichnung

Caisley International GmbH

erhält für den Standort
Harderhook 31,
46395 Bocholt
die Auszeichnung

ÖKOPROFIT®
Kreis Borken 2018

Dr. Kai Zwicker
Landrat



Dr. Heiner Kleinschneider
Wirtschaftsförderungsgesellschaft
für den Kreis Borken



INTERNATIONAL COMMITTEE FOR ANIMAL RECORDING

(ICAR)

COMITÉ INTERNATIONAL POUR LE
CONTRÔLE DES PERFORMANCES EN
ÉLEVAGE



INTERNATIONALES KOMITEE FÜR
LEISTUNGSPRÜFUNGEN IN DER
TIERPRODUKTION

Seat:

Via Giuseppe Tomassetti 3, A/1
I-00161 Rome, Italy
Tel. +39-0644202639
Fax : +39-0644266798
Email : elena@icar.org
www.icar.org
C.F. 97237980582

Caisley International GmbH
Att. Mr. H. Winkeler
Harderhook 31
D-46395 Bocholt-Mussum
Germany

Rome, 27 January 2012

L/005/2012

Approval of Caisley FlexoPlus plastic ear tag (product code T004)

According to your company's request a test was carried out on ear tags of the type "Caisley FelxoPlus" delivered by your company. The procedure is laid down in the ICAR guideline "Performance evaluation and approval of official permanent identification devices Part 1: Conventional permanent plastic ear tags (with or without machine readable printing)".

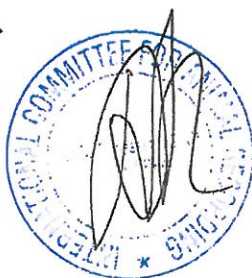
The intention of the test was to check the performance of the ear tags against the criteria for laboratory tests in the laboratory report. The result is as follows:

Caisley FlexoPlus ear tags tested perform as required.

With best regards.

Yours sincerely,

Andrea Rosati
Secretary General



Cc: ICAR Sub-Committee on Animal Identification

International non-profit organisation registered in Italy on 28th July 2008

Ufficio Entrate di Roma 5, numero 17597, serie 1T

CERTIFICAT

Sächsischer Landeskontrollverband e.V.
(Uniunea pentru Control de Calitate a Landului Saxonia)
Landesgeschäftsstelle Lichtenwalde
(Oficiul de Land Lichtenwalde)

atestă

pentru crotaliile auriculare FlexoPlus

- că în ultimii 8 ani nu s-au operat nici un fel de modificări vădite în ceea ce privește atât culoarea cât și inscripționarea (imprimarea cu laser)
- că distanța dintre partea cu dornul și partea perforată a crotaliei auriculare după aplicare este de cca. 10,2 mm
- că materialul crotaliei auriculare rezistă la variații de temperatură între -30° C și +40° C
- că forța de tracțiune necesară pentru a produce deteriorarea crotaliei auriculare este de cel puțin 300 N
- că în conformitate cu directivele UE în vigoare materialele prime poliuretanică utilizate sunt admise pentru folosirea în domeniul alimentar. Ele nu conțin substanțe cu importanță toxicologică sau cu importanță toxicologică deosebită, nici metale grele dăunătoare sănătății precum plumb, cadmiu, crom sau mercur, și nici substanțe pe bază de fluor care dăunează stratului de ozon
- că crotaliile auriculare de tipul FlexoPlus sunt folosite în landul Saxonia din anul 2001.

(semnătură indescifrabilă)

Ulrich Delling

Director

Uniunea pentru Control de Calitate a Landului Saxonia

- asociație înregistrată -

August-Bebel-Straße 6

09577 Lichtenwalde

Tel. 037206/87-0

ZERTIFIKAT

Sächsischer Landeskontrollverband e.V. Landesgeschäftsstelle Lichtenwalde

bestätigt

für die FlexoPlus Ohrmarken

- dass in den letzten 8 Jahren keinerlei offensichtliche Änderungen sowohl in der Farbe also auch bei der Beschriftung (Laserbeschriftung) vorgekommen sind
- dass der Abstand zwischen Dorn- und Lochteil der Ohrmarke nach Applikation bei ca. 10,2 mm liegt
- dass das Material der Ohrmarke Temperaturschwankungen zwischen -30°C bis $+40^{\circ}\text{C}$ standhält
- dass die Zugkraft, die nötig ist, um die Ohrmarken zu beschädigen, bei minimal 300 Newton liegt
- dass die verwendeten Polyurethanrohstoffe gemäß den gültigen EU-Richtlinien für die Anwendung im Lebensmittelbereich zugelassen sind. Es enthält keine Stoffe von toxikologischer oder besonderer toxikologischer Bedeutung, keine gesundheitsgefährdenden Schwermetalle wie Blei, Cadmium, Chrom oder Quecksilber und keine die Ozonschicht schädigenden Fluoride.
- die Ohrmarken des Typs FlexoPlus seit 2001 in Sachsen verwendet werden



Ullrich Delling
Geschäftsführer
Sächsischer
Landeskontrollverband
e.V.
August-Eebel-Straße 1
09677 Lichtenwalde
Tel. 03 72 06787 - 0

Certificat

În completarea adresei noastre din data de 03 iulie 2007 noi, uniunea Sächsische Landeskontrollverband e.V., confirmăm prin prezenta în calitatea noastră de instituție responsabilă că utilizăm crotaliile MultiFlex de 11 ani.

Uniunea Sächsische Landeskontrollverband a achiziționat în ultimii șase ani cca. 2,1 milioane de crotalii.

În timpul celor 11 ani nu s-au constatat modificări considerabile ale distanței dintre dornul și orificiul crotaliilor după aplicație (acesta este de cca. 10,2 mm), materialul crotaliilor rezistă la variații de temperatură de la - 30 °C până la + 40 °C, forța de tracțiune necesară pentru deteriorarea crotaliilor este de minim 300 Newton, materialele poliuretanică utilizate fiind admise conform directivelor UE pentru alimente.

De asemenea, confirmăm din experiența noastră practică și de utilizare de 11 ani în calitatea noastră de instituție responsabilă a landului federal Saxonia din Republica Federală Germania următoarele:

crotaliile MultiFlex și FlexoPlus nu au nicio influență asupra sănătății animalelor marcate cu aceste crotalii; nici animalele marcate cu crotaliile MultiFlex și FlexoPlus, și nici persoanele participante la marcarea, nu au fost accidentate la aplicare; din studiile pe perioade îndelungate nu au rezultat efecte negative asupra performanței sau constituției animalelor.

Acest certificat este valabil pentru utilizarea la rasele de animale bovine/vaci, porci, oi și capre.

Acest certificat a fost eliberat la cererea firmei Caisley International GmbH și este necesar pentru participarea la licitația publică pentru marcarea bovinelor, porcilor, oilor și caprelor din departamentul pentru înregistrarea animalelor de fermă ale Republicii Moldova, utilizarea acestora în alte scopuri fiind interzisă.

U. Delling
Sächsischer Landeskontrollverband e. V.

Lichtenwalde, 19 octombrie 2010



SÄCHSISCHER LANDESKONTROLLVERBAND e.V.



Bereich: Zentrallabor - Milch/Futter
Durch die DAP
Deutsches Akkreditierungssystem Prüfwesen GmbH
akkreditiertes Prüflaboratorium



Bereich: Milchleistungsprüfung/HIT
Zertifiziertes Qualitätsmanagementsystem
nach
DIN EN ISO 9001:2000-12
ifta-CERT®
Registrier-Nr. IC 1443 039

Sächsischer Landeskontrollverband e.V. - August-Bebel-Str. 6 - 09577 Lichtenwalde



Staatlich anerkannte neutrale Milchprüfung

Milchqualitätsberatung
Milchleistungsprüfung
Futteruntersuchung
Milchgüteprüfung
Erzeugerringe
EDV - Dienstleistung

Internet: <http://www.lkvsachsen.de>
email: infoline@rizu.de

Ihre Zeichen

Ihre Nachricht vom

Unsere Zeichen

Datum

Zertifikat

In Ergänzung unseres Schreibens vom 03. Juli 2007 bestätigen wir, der Sächsische Landeskontrollverband e.V., hiermit, als beauftragte Stelle, die Verwendung der MultiFlex Ohrmarken seit 11 Jahren.

Der Sächsische Landeskontrollverband hat in den vergangenen sechs Jahren ca. 2,1 Millionen Ohrmarken erworben.

In der Zeit von 11 Jahren ergaben sich keinerlei offensichtliche Änderungen im Abstand zwischen Dorn- und Lochteil der Ohrmarken nach der Applikation (liegt bei ca. 10,2 mm), das Material der Ohrmarken hält Temperaturschwankungen zwischen - 30 °C bis + 40 °C stand, die Zugkraft, die nötig ist, um die Ohrmarken zu beschädigen, liegt bei minimal 300 Newton, die verwendeten Polyurethanrohstoffe sind gemäß den gültigen EU-Richtlinien für die Anwendung im Lebensmittelbereich zugelassen.

Des weiteren bestätigen wir aus der 11-jährigen Praxis- und Einsatzerfahrung als beauftragte Stelle des Bundeslandes Sachsens in der Bundesrepublik Deutschland:

dass die MultiFlex und FlexoPlus Ohrmarken keinen Einfluss auf die Tiergesundheit der mit diesen Ohrmarken gekennzeichneten Tiere haben, dass die, mit MultiFlex und FlexoPlus gekennzeichneten Tiere, als auch die Personen, bei dem direkten Kennzeichnen keinen Schaden genommen haben, dass auch in der Langzeitkontrolle keine Beeinträchtigungen sowohl in der Leistungsfähigkeit als auch in der Konstitution der Tiere festgestellt wurde.

Diese Bestätigung erstreckt sich auf die Verwendung bei den Tierarten Rinder/Kühe, Schweine, Schafe und Ziegen.

Dieses Zertifikat wurde auf Anfrage der Firma Caisley International GmbH erstellt und wird benötigt für die Teilnahme an der öffentlichen Ausschreibung zur Kennzeichnung von Rindern, Schweinen, Schafen und Ziegen der Nutztierregistrationsabteilung des Landes Moldavien und kann zu anderen Zwecken nicht verwendet werden.


U. Delling
Sächsischer Landeskontrollverband e. V.

Lichtenwalde, den 19. Oktober 2010

Telefon:
03 72 06 / 87-0
Telefax:
03 72 06 / 87-2 30

Anschrift:
August-Bebel-Straße 6
09577 Lichtenwalde

Bankverbindung:
Volksbank Mittweida e.G.
Kto.-Nr.: 197 556 315
BLZ 870 961 24

Bankverbindung:
Volksbank Mittl. Erzgebirge
Kto.-Nr.: 310 000 795
BLZ 870 690 75

Vorstandsvorsitzender:
Holger Rudolph
Geschäftsführer:
Ullrich Delling

TIER-IDENTIFIKATIONSSYSTEME
ANIMAL IDENTIFICATION SYSTEMS
KUNSTSTOFFSPRITZGUSS
INJECTION MOULDING
LASERBESCHRIFTUNGEN
LASER MARKING

Caisley
INTERNATIONAL GMBH

CAISLEY INTERNATIONAL GMBH – HARDERHOOK 31 – D-46395 BOCHOLT

IP Serviciul Tehnologia Informației și Securitate
Cibernetică
Piața Marii Adunări Naționale 1
MD-2033, mun.Chișinău, mun.Chișinău
Republica Moldova

Ihr Zeichen:
Your Ref:

Unser Zeichen:
Our Ref:
CN/RN

Ihre Nachricht vom
Your message of

Datum
Date
05.12.2019

Compatibility of Universal Applicator

We, CAISLEY International GmbH, hereby declare that the offered eartag models FlexoPlus G/D, MultiFlex L/L and MultiFlex P/P are compatible to the applicator, specified in chapter III of annex 1 and chapter IV of annex 2. CAISLEY International GmbH is the manufacturer of this “universal applicator for multiflex ear tags” and we guarantee full compatibility.

The special design of the locking system of the MultiFlex and FlexoPlus causes a clean cut of the ear tissue. The pin of the father part has a circumferential, very hard cutting edge, which together with the mother part cuts the tissue cleanly and does not crush it by pressure. Together with the parallel movement of the CAISLEY Universal Applicator during closure this ensures that no skin is pressed into the mother part, promotes good wound healing and prevents necrosis etc..



Reinhard Nehls
Managing Director

STADTSPARKASSE BOCHOLT
IBAN: DE63 4285 0035 0000 1455 99
BIC: WELADED1BOH
GESCHÄFTSFÜHRER: REINHARD NEHLS
HENRIK HINKELER
AMTSGERICHT COESFELD HRB 8113
UMSATZSTEUER ID-NUMMER: DE124160724

CAISLEY INTERNATIONAL GMBH
HARDERHOOK 31 – D-46395 BOCHOLT
FON: +49 (0) 2871 23939 - 0
FAX: - 50

INFO@CAISLEY.DE
WWW.CAISLEY.DE

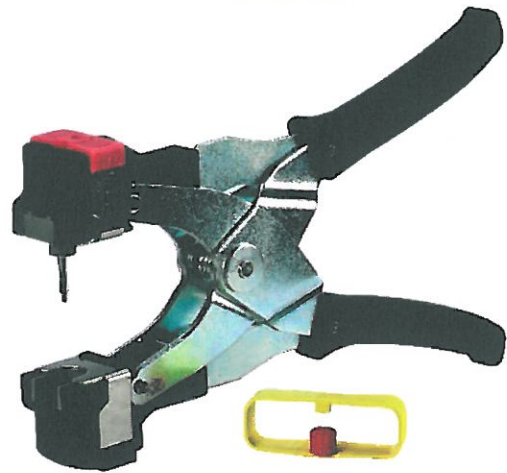
Universal-Ohrmarkenzange

1 Zange für alle Caisley Ohrmarken

Universal Applicator

One Applicator for all Caisley Tags

- FlexoPlus Geno, FlexoPlus
- MultiFlex, FlexoTronic
- PrimaFlex, Duo



Patentierte Parallelschließung

Patented Parallel Closure

Universell einsetzbar
Extrem robust

Universal Use
Extremely Sturdy

Produkt Spezifikation

Product specification

Material
Zangenkörper
Zangenköpfe

Material
Applicator Body
Applicator Heads

Rostfrei / Rustproof
verzinkter Stahl / Galvanized Steel
GFK / fibre reinforced plastic

Abmessungen
Gewicht

Dimensions
Weight

9 x 24 x 3 cm
570 g.

Wechseleinsätze

Changing Inserts

nach Wahl fertig montiert
inserts ready installed as chosen

Grau / Grey

für FlexoPlus-, FlexoPlus Geno-, FlexoTronic-
und Multiflex-Ohrmarken
*for FlexoPlus-, FlexoPlus Geno-, FlexoTronic-
and Multiflex Ear Tags*

Stützringe / Thrust Ring



Grau passt zu grauer und grüner Ohrmarkenspitze
Rot passt zu roter Ohrmarkenspitze
Grey fits to Grey and Green male tip
Red fits to red male tip

Schwarz / Black



Schwarz für PrimaFlex-Ohrmarken
Black for PrimaFlex Ear Tags
Grün für Duo-Ohrmarken
Green for Duo Ear Tags

Grün / Green

VETKIT



Probennahme ohne Tierkennzeichnung
Tissue Sampling without animal identification

Blau / Blue



für Ohrmarken von anderen Herstellern
for Ear Tags from different suppliers

Specificații tehnice (F4.1)

[Acest tabel va fi completat de către ofertant în coloanele 3, 4, 5, 7, iar de către autoritatea contractantă – în coloanele 1, 2, 6, 8]

Numărul procedurii de achiziție: ocds-b3wdp1-MD-1574407126168 din 22.11.2019	
Denumirea procedurii de achiziție: Crotalii pentru animale	

Cod CPV	Denumirea bunurilor	Modelul articolului	Tara de origine	Producele	Specificarea tehnică deplină solicitată de către autoritatea contractantă	Specificarea tehnică deplină propusă de către ofertant	Standarde de referință
1	2	3	4	5	6	7	8
Lotul nr. 1: Crotalii pentru animale							
1.1	Crotalii neimprimate: Bovine	FlexoPlus G/D	Germany	CAISLEY International GmbH	În conformitate cu Specificațiile tehnice (Anexa nr. 1) Diapazon imprimat pe crotalii: MD 1002816501-1002866500 În conformitate cu Specificațiile tehnice (Anexa nr. 2)	fully conform to technical specifications of annex 1	ISO 9001
1.2	Crotalii imprimate: Ovine	MultiFlex L/L	Germany	CAISLEY International GmbH	Diapazon imprimat pe crotalii: MD 3005199601-3005899600 În conformitate cu Specificațiile tehnice (Anexa nr. 2)	fully conform to technical specifications of annex 2	ISO 9001
1.3	Crotalii imprimate: Porcine	MultiFlex P/P	Germany	CAISLEY International GmbH	Diapazon imprimat pe crotalii: MD 3005199601-3005899600 În conformitate cu Specificațiile tehnice (Anexa nr. 2)	fully conform to technical specifications of annex 2	ISO 9001
TOTAL							

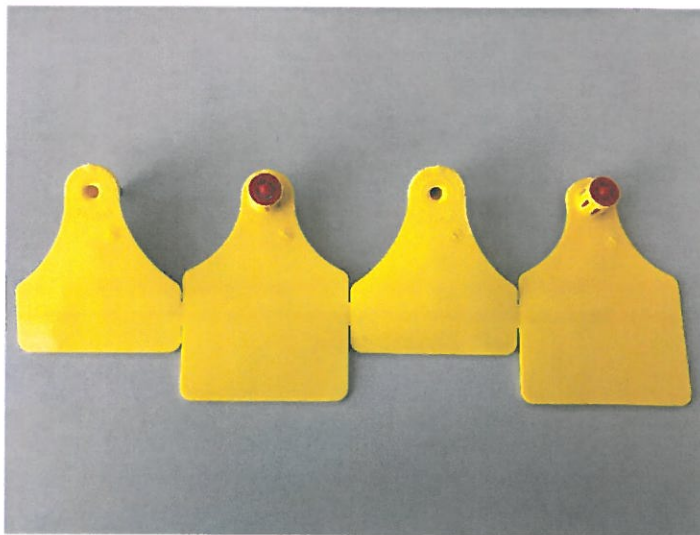
Semnat:  Numele, Prenumele: **Nehls, Reinhard** În calitate de: **Managing Director**
 Ofertantul: **CAISLEY International GmbH** Adresa: **Harderhook 31, 46395 Bocholt, Germany**



Annex 1

CHAPTER I Technical Specifications for unprinted bovine ear tags

We offer the FlexoPlus G/D of the CAISLEY product family FlexoPlus. This high quality ear tag meets the requested technical requirement in all points.



FlexoPlus G/D, for bovine, unprinted

1. General technical requirements

- 1.1. All ear tags of the FlexoPlus-family, as well the offered FlexoPlus G/D, are completely made of quality controlled thermoplastic polyurethane. All Parts of the ear tag are made of this base material, there are no other materials used. The material is specially designed to ensure the longevity and flexibility of the ear tag and not harm the animal's organism.
- 1.2. The ear tag will be applied with the Universal MultiFlex-Applicator placed between the cartilage strips in the first third of the bovine ear. This allows for durable attachment and good visibility of the ear tag flags, both from the front and from behind the animal. The special material composition ensures a very good colour stability and a dark colour change during laser marking. Thus, a high contrast and a good readability is given.

2. Shape and appearance

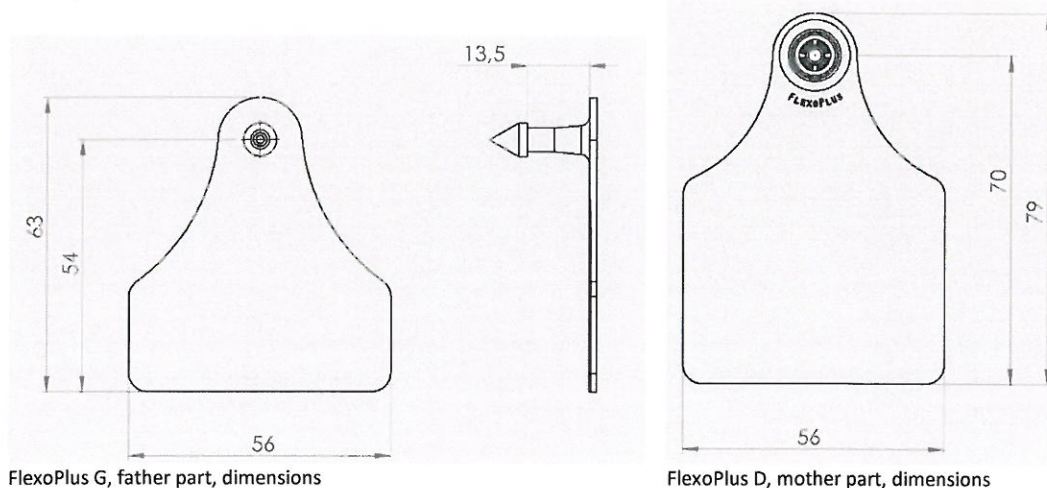
- 2.1. The offered FlexoPlus G/D are yellow.
- 2.2.
 - a. Every FlexoPlus G/D ear tag consists of two parts, one father part and one mother part.
 - b. The father part has a pin for piercing the ear.
 - c. At the tip of the pin is a very hard insert to allow a precise and easy penetration of the ear tissue. When attaching the ear tag the pin of the ear tag is supported from the inside by the

metal pin of the applicator. The other parts of the ear tag are made of a high flexible material.

- d. FlexoPlus G/D tags have ventilation holes in the locking system for aeration of the ear.
- e. The tip of the Pin has four cutting grooves, which also are designed to occur an easy and precise penetration of the tissue and a secure closing of the tag.
- f. The tip of the pin has an outer diameter of 7,2mm and is greater than the pole of the pin. This together with the accurate cutting principle of the locking-system of the FlexoPlus G/D ear tags occurs a clear ear hole that is greater than the pole of the pin, so the ear tag can rotate freely around the axis. The precise cutting and the design of the locking-system also allows the father part to rotate freely in the mother part.
- g. The mother part has openings in the locking ring so the junction channel is open and ventilation is given for a better wound healing.
- h. It is easy and clear to insert the tag parts in the applicator. The two jaws of the pliers represent the respective shape of the father part and the mother part, so the ear tag parts can be inserted only in a specific position. Transposition is not possible.
- i. The offered tag FlexoPlus G/D has a smooth design. All margins and corners of the tag are rounded to fit comfortably to the animal's body and cause no damage.

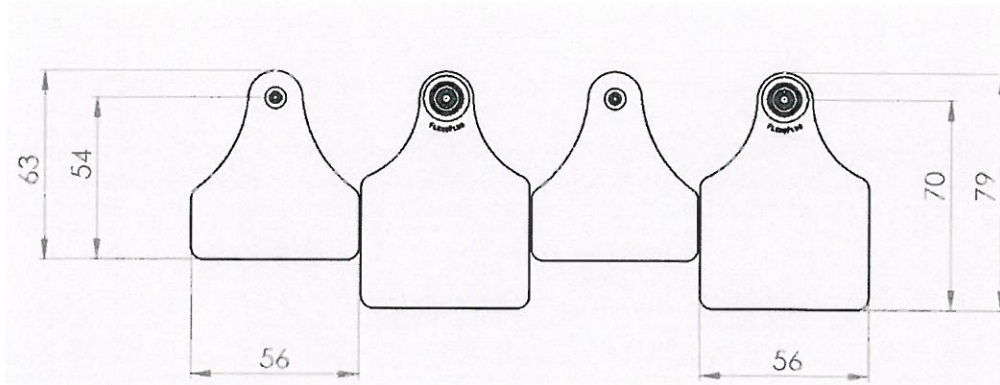
3. Size

- 3.1. The mother part of the offered FlexoPlus G/D ear tag has a height of 79mm and a width of 56mm. The distance of the locking to the lower margin is 70mm. The father part has a height of 63mm and also a width of 56mm. The distance between the flag of the father part and the tip of the pin is 13,5mm.



FlexoPlus G, father part, dimensions

FlexoPlus D, mother part, dimensions



FlexoPlus G/D row, dimensions

- 3.2. The pin of the father part has a length of 13,5mm from the bottom to the tip so the distance of 13,5mm between the two connected parts is given.
- 3.3. The mother and the father part of the FlexoPlus G/D have different sizes but meet the required technical specifications (in Figure 1 of the requirements (Annex 1)).

4. Technical performance

The offered FlexoPlus G/D ear tag meets the technical performance requirements.

- a. The ear tag is easily applicable with the Universal MultiFlex Applicator and no special skills of the user are required.
- b. It is easy and clear to insert the tag parts in the applicator. The two jaws of the pliers represent the respective shape of the father part and the mother part, so the ear tag parts can be inserted only in a specific position. Transposition is not possible.
- c. Applying the ear tag is only possible once. Every try to open the ear tag will cause a visible damage and a destruction of the locking system and it becomes impossible to use the tag twice.
- d. Due to the ventilation in the locking system, the free rotation of the two ear tag parts and the smooth design without sharp edges a good and fast wound healing is given.
- e. The special design of the locking system of the FlexoPlus causes a clean cut of the ear tissue. The pin of the father part has a circumferential, very hard cutting edge, which together with the very hard locking ring of the mother part cuts the tissue cleanly and does not crush it by pressure. This ensures that no skin is pressed into the mother part.

5. Resistance to traction

- 5.1. The means of connection of the offered FlexoPlus G/D withstand axially forces of minimum 370N. For at least seven years from joining the ear tag will resist higher forces than 300N.
- 5.2. After application it is not possible to separate the two parts of the tag without a permanently damaging of the means of connection and it is not possible to reassemble the parts.

6. Resistance to temperatures

- a. The offered FlexoPlus G/D ear tag is made of a thermoplastic polyurethane and resists temperatures between -30°C and +60°C and has a very good weather-, UV- and microbial resistance.
- b. The used material doesn't get brittle at temperatures below 0°C.
- c. It is very robust and very hard to be torn or damaged.
- d. For a good performance of the ear tag it is necessary that the material of the tag is flexible and durable. The material that is used for CAISLEY's FlexoPlus tags is extensive and constantly checked and meets these requirements.
- e. The material is absolutely innocuous.
- f. Because the entire ear tag is made of the same base material and does not contain other materials (such as metal), it can easily be recycled. The material complies with laws and regulations to recycling.
- g. The ear tag is not reusable. After application it is not possible to separate the two parts of the tag without a permanent damaging of the means of connection and it is not possible to reassemble the parts.
- h. The FlexoPlus does not adversely affect the wound healing process. Due to the ventilation in the locking system, the free rotation of the two ear tag parts and the smooth design without sharp edges a good and fast wound healing is given.

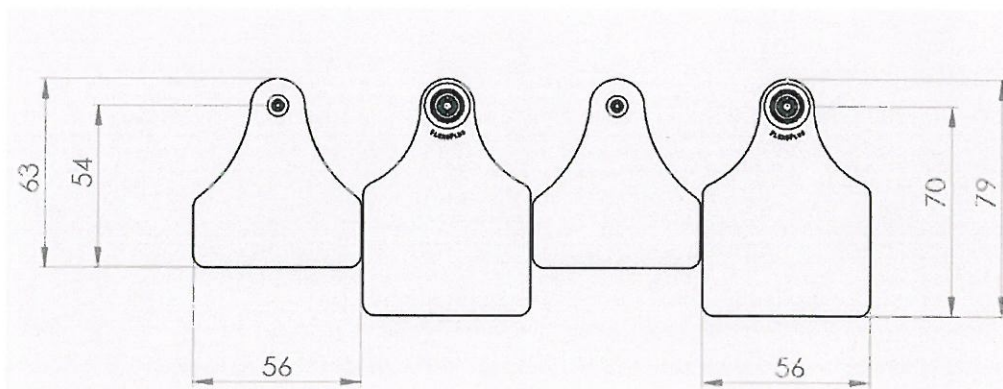
7. Resistance to abrasion

FlexoPlus ear tags are made for laser printing. CAISLEY has good experience to print these tags with ROFIN laser printers. The printing is very dark with a high contrast and it isn't possible to remove the printing by washing with water or solvents or by wiping with sandpaper. The long term experience of CAISLEY's FlexoPlus shows that the printing resists all these effects longer than seven years from delivery.

CHAPTER II

Technical Requirements for Ear Tag Packing

The offered FlexoPlus G/D ear tags for bovine will be delivered in connected rows that include two pieces of ear tags (two mother parts and two father parts). That means that one row includes all parts for one animal.



FlexoPlus G/D row, dimensions

These rows will be boxed to 300 pieces.

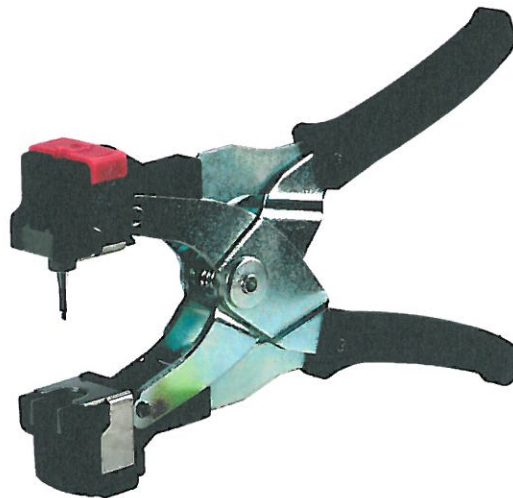
Due to the connected rows, the ear tags are easy to handle. The offered FlexoPlus G/D tags will fit into the production matrix. CAISLEY's offer is accompanied by 10 samples.

CHAPTER III

Additional Requirements for Ear Tags

3. Compatibility with the application equipment held by the beneficiary

- 3.1. All offered ear tags can be applied with the Universal MultiFlex Applicator. This Applicator is designed by CAISLEY to complement the good features and the benefit of the CAISLEY tags. It is compatible to the complete product range of FlexoPlus (bovine) and MultiFlex (sheep, goat, and swine). The Applicator and the tags are developed by CAISLEY so that is full compatibility guaranteed.
- 3.2. CAISLEY is the manufacturer of both, the offered FlexoPlus G/D eartag as well as the applicator, specified in the technical requirements. As stated in the accompanying letter we therefore guarantee for the compatibility of the offered FlexoPlus G/D eartag to the applicator MultiFlex.



CAISLEY Universal Applicator

R. W. S.

Caisley International GmbH
HRB 8113
Industriepark 31 • 46395 Böcholt

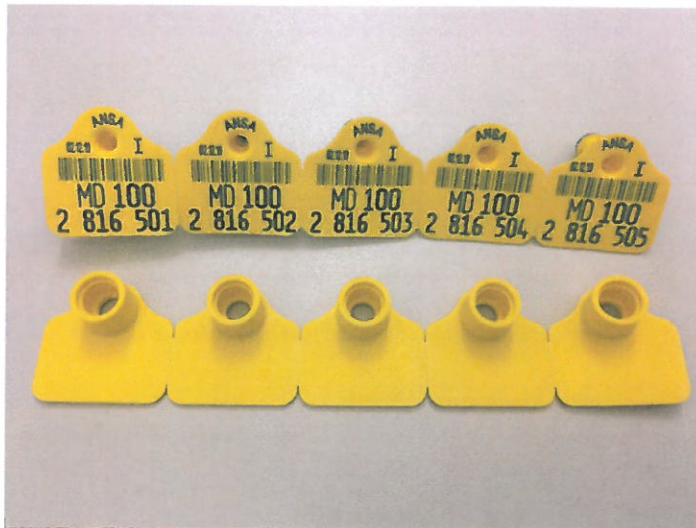
Annex 2

Technical requirements for printed ear tags for sheep, goats and swine

CHAPTER I

Technical requirements for Sheep ear tags

We offer the MultiFlex L/L of the CAISLEY product family MultiFlex. This high quality ear tag meets the requested technical requirement in all points.



MultiFlex L/L, for sheep, printed

1. General technical requirements

- 1.1. All ear tags of the MultiFlex-family, as well the offered MultiFlex L/L, are completely made of quality controlled thermoplastic polyurethane. All Parts of the ear tag are made of this base material, there are no other materials used. The material is specially designed to ensure the longevity and flexibility of the ear tag and not harm the animal's organism.
- 1.2. The ear tag will be attached with the Universal MultiFlex-Applicator placed between the cartilage strips in the first third of the ear of the animal. This allows for durable attachment and good visibility of the ear tag flags, both from the front and from behind the animal. The special material composition ensures a very good colour stability and a dark colour change during laser marking. Thus, a high contrast and a good readability is given.

2. Shape and appearance

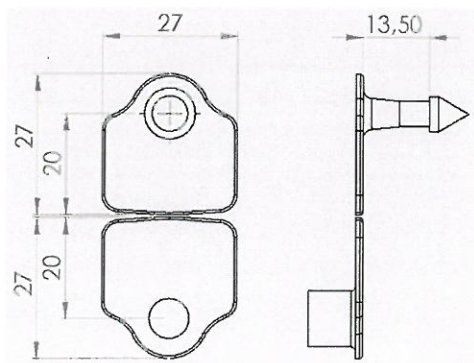
- 2.1. The offered MultiFlex L/L are yellow.
- 2.2. The ear tags will be printed according the specifications (Fig.2 of chapter 1 of the requirements (annex 2)) on the father part of the ear tag, with the number range indicated in the technical specifications table.

2.3.

- a. Every offered MultiFlex ear tags consists of two parts, one father part and one mother part.
- b. The father part has a pin for piercing the ear.
- c. At the tip of the pin is a very hard insert to allow a precise and easy penetration of the ear tissue. When attaching the ear tag the pin of the ear tag is supported from the inside by the metal pin of the applicator. The other parts of the ear tag are made of a high flexible material.
- d. The offered MultiFlex L/L tags have ventilation holes in the pin of the father part and an open designed mother part, so ventilation for a good wound healing is given.
- e. The tip of the Pin has four cutting grooves, which also are designed to occur an easy and precise penetration of the tissue and a secure closing of the tag.
- f. The tip of the pin has an outer diameter of 7,2mm and is greater than the pole of the pin. This together with the accurate cutting principle of the locking-system of the MultiFlex ear tags occurs a clear ear hole that is greater than the pole of the pin, so the ear tag can rotate freely around the axis. The precise cutting and the design of the locking-system also allows the father part to rotate freely in the mother part.
- g. The mother part has an open junction channel and ventilation is given for a better wound healing.
- h. It is easy and clear to insert the tag parts in the applicator. The two jaws of the pliers represent the respective shape of the father part and the mother part, so the ear tag parts can be inserted only in a specific position. Transposition is not possible.
- i. The offered tag MultiFlex L/L has a smooth design. All margins and corners of the tag are rounded to fit comfortably to the animal's body and cause no damage.

3. Size

- 3.1. The mother part of the offered MultiFlex L/L ear tag has a height of 27mm and a width of 27mm. The distance of the locking to the lower margin is 20mm. The father part has a height of 27mm and also a width of 27mm. The distance between the flag of the father part and the tip of the pin is 13,5mm so the distance of 11mm between the two connected parts is given. That meets the requirements in Fig.1 of chapter 1 (annex 2).



Multiflex L/L, dimensions

- 3.2. The pin of the father part has a length of 13,5mm from the bottom to the tip so the distance of 11mm between the two connected parts is given.
- 3.3. The mother and the father part of the MultiFlex L/L have the same size and meet the required technical specifications (in Figure 1 of the requirements (Annex 2)) what means height and width are 27mm.

4. Technical performance

The offered MultiFlex L/L ear tag meets the technical performance requirements.

- a. The ear tag is easily applicable with the Universal MultiFlex Applicator and no special skills of the user are required.
- b. It is easy and clear to insert the tag parts in the applicator. The two jaws of the pliers represent the respective shape of the father part and the mother part, so the ear tag parts can be inserted only in a specific position. Transposition is not possible.
- c. Applying the ear tag is only possible once. Every try to open the ear tag will cause a visible damage and a destruction of the locking system and it becomes impossible to use the tag twice.
- d. Due to the ventilation hole in the pin, the open design of the mother part, the free rotation of the two ear tag parts and the smooth design without sharp edges a good and fast wound healing are given.
- e. The special design of the locking system of the MultiFlex causes a clean cut of the ear tissue. The pin of the father part has a circumferential, very hard cutting edge, which together with the mother part cuts the tissue cleanly and does not crush it by pressure. This ensures that no skin is pressed into the mother part.

5. Resistance to traction

- 5.1. The means of connection of the offered MultiFlex L/L withstand axially forces of minimum 300N. For at least seven years from joining the ear tag will resist higher forces than 300N.
- 5.2. After application it is not possible to separate the two parts of the tag without a permanently damaging of the means of connection and it is not possible to reassemble the parts. The tag can be applied only once.

6. Resistance to temperatures

- a. The offered MultiFlex L/L ear tag is made of a thermoplastic polyurethane and resists temperatures between -30°C and +60°C and has a very good weather-, UV- and microbial resistance.
- b. The used material doesn't get brittle at temperatures below 0°C.
- c. It is very robust and very hard to be torn or damaged.
- d. For a good performance of the ear tag it is necessary that the material of the tag is flexible and durable. The material that is used for CAISLEY's MultiFlex tags is extensive and constantly checked and meets these requirements.
- e. The material is absolutely innocuous.
- f. Because the entire ear tag is made of the same base material and does not contain other materials (such as metal), it can easily be recycled. The material comply with laws and regulations to recycling.

TIER-IDENTIFIKATIONSSYSTEME
ANIMAL IDENTIFICATION SYSTEMS

KUNSTSTOFFSPRITZGUSS
INJECTION MOLDING

LASERBESCHRIFTUNGEN
LASER MARKING



- g. The ear tag is not reusable. After application it is not possible to separate the two parts of the tag without a permanently damaging of the means of connection and it is not possible to reassemble the parts.
- h. The MultiFlex does not adversely affect the wound healing process. Due to the ventilation in the locking system, the free rotation of the two ear tag parts and the smooth design without sharp edges a good and fast wound healing is given.

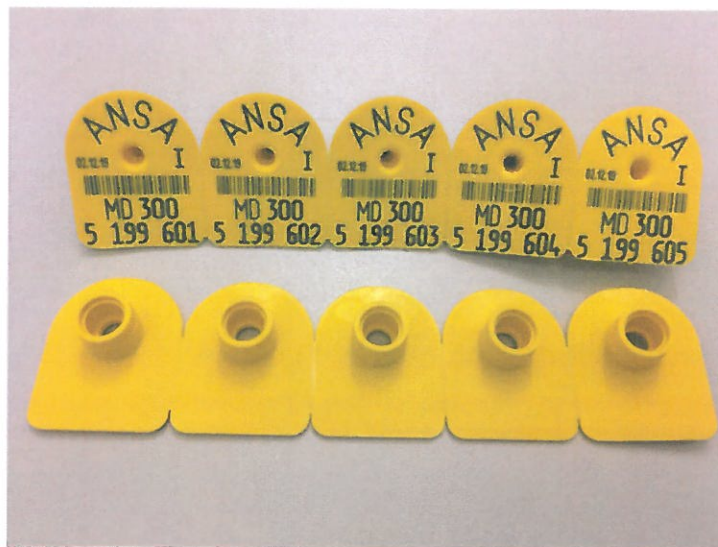
7. Resistance to abrasion

MultiFlex have a very dark laser printing with a high contrast and it isn't possible to remove the printing by washing with water or solvents or by wiping with sandpaper. The long term experience of CAISLEY's MultiFlex shows that the printing resists all these effects longer than seven years from delivery.

Chapter II

Technical Requirements for Swine Printed Ear Tags

We offer the MultiFlex P/P of the CAISLEY product family MultiFlex. This high quality ear tag meets the requested technical requirement in all points.



MultiFlex P/P, for swine, printed

2. General technical requirements

- 2.1. All ear tags of the MultiFlex-family, as well the offered MultiFlex P/P, are completely made of quality controlled thermoplastic polyurethane. All Parts of the ear tag are made of this base material, there are no other materials used. The material is specially designed to ensure the longevity and flexibility of the ear tag and not harm the animal's organism.
- 2.2. The ear tag will be attached with the Universal MultiFlex-Applicator placed between the cartilage strips at about half of the length of the animal's ear. This allows for durable attachment and good visibility of the ear tag flags, both from the front and from behind the animal. The special material composition ensures a very good colour stability and a dark colour change during laser marking. Thus, a high contrast and a good readability is given.

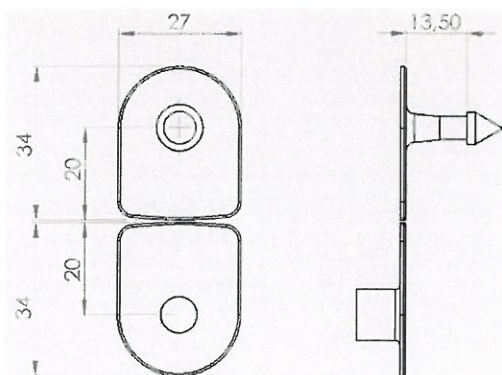
3. Shape and appearance

- 3.1. The offered MultiFlex P/P are yellow.
- 3.2. The ear tags will be printed according the specifications (Fig.4 of chapter 2 of the requirements (annex 2)) on the father part of the ear tag with the number range indicated in the technical specifications table.
- 3.3.
 - a. Every offered MultiFlex ear tags consists of two parts, one father part and one mother part.
 - b. The father part has a pin for piercing the ear.

- c. At the tip of the pin is a very hard insert to allow a precise and easy penetration of the ear tissue. When attaching the ear tag the pin of the ear tag is supported from the inside by the metal pin of the applicator. The other parts of the ear tag are made of a high flexible material.
- d. The offered MultiFlex P/P tags have ventilation holes in the pin of the father part and an open designed mother part, so ventilation for a good wound healing is given.
- e. The tip of the Pin has four cutting grooves, which also are designed to occur an easy and precise penetration of the tissue and a secure closing of the tag.
- f. The tip of the pin has an outer diameter of 7,2mm and is greater than the pole of the pin. This together with the accurate cutting principle of the locking-system of the MultiFlex ear tags occurs a clear ear hole that is greater than the pole of the pin, so the ear tag can rotate freely around the axis. The precise cutting and the design of the locking-system also allows the father part to rotate freely in the mother part.
- g. The mother part has an open junction channel and ventilation is given for a better wound healing.
- h. It is easy and clear to insert the tag parts in the applicator. The two jaws of the pliers represent the respective shape of the father part and the mother part, so the ear tag parts can be inserted only in a specific position. Transposition is not possible.
- i. The offered tag MultiFlex P/P has a smooth design. All margins and corners of the tag are rounded to fit comfortably to the animal's body and cause no damage.

4. Size

- 4.1. The mother part of the offered MultiFlex P/P ear tag has a height of 34mm and a width of 27mm. The distance of the locking to the lower margin is 20mm. The father part has a height of 34mm and also a width of 27mm. The distance between the flag of the father part and the tip of the pin is 13,5mm so the distance of 11mm between the two connected parts is given. That meets the requirements in Fig.3 of chapter 2 (annex 2).



MultiFlex P/P, dimensions

- 4.2. The pin of the father part has a length of 13,5mm from the bottom to the tip so the distance of 11mm between the two connected parts is given.

4.3. The mother and the father part of the MultiFlex P/P have the same size and meet the required technical specifications (in Figure 3 of the requirements (Annex 2)) what means height is 34mm and with is 27mm.

5. Technical performance

The offered MultiFlex P/P ear tag meets the technical performance requirements.

- a. The ear tag is easily applicable with the Universal MultiFlex Applicator and no special skills of the user are required.
- b. It is easy and clear to insert the tag parts in the applicator. The two jaws of the pliers represent the respective shape of the father part and the mother part, so the ear tag parts can be inserted only in a specific position. Transposition is not possible.
- c. Applying the ear tag is only possible once. Every try to open the ear tag will cause a visible damage and a destruction of the locking system and it becomes impossible to use the tag twice.
- d. Due to the ventilation hole in the pin, the open design of the mother part, the free rotation of the two ear tag parts and the smooth design without sharp edges a good and fast wound healing is given.
- e. The special design of the locking system of the MultiFlex causes a clean cut of the ear tissue. The pin of the father part has a circumferential, very hard cutting edge, which together with the mother part cuts the tissue cleanly and does not crush it by pressure. This ensures that no skin is pressed into the mother part.

6. Resistance to traction

- 6.1. The means of connection of the offered MultiFlex P/P withstand axially forces of minimum 300N. For at least seven years from joining the ear tag will resist higher forces than 300N.
- 6.2. After application it is not possible to separate the two parts of the tag without a permanently damaging of the means of connection and it is not possible to reassemble the parts. The tag can be applied only once.

7. Resistance to temperatures

- a. The offered MultiFlex P/P ear tag is made of a thermoplastic polyurethane and resists temperatures between -30°C and +60°C and has a very good weather-, UV- and microbial resistance.
- b. The used material doesn't get brittle at temperatures below 0°C.
- c. It is very robust and very hard to be torn or damaged.
- d. For a good performance of the ear tag it is necessary that the material of the tag is flexible and durable. The material that is used for CAISLEY's MultiFlex tags is extensive and constantly checked and meets these requirements.
- e. The material is absolutely innocuous.
- f. Because the entire ear tag is made of the same base material and does not contain other materials (such as metal), it can easily be recycled. The material comply with laws and regulations to recycling.

TIER-IDENTIFIKATIONSSYSTEME
ANIMAL IDENTIFICATION SYSTEMS

KUNSTSTOFFSPRITZGUSS
INJECTION MOLDING

LASERBESCHRIFTUNGEN
LASER MARKING



- g. The ear tag is not reusable. After application it is not possible to separate the two parts of the tag without a permanently damaging of the means of connection and it is not possible to reassemble the parts.
- h. The MultiFlex does not adversely affect the wound healing process. Due to the ventilation in the locking system, the free rotation of the two ear tag parts and the smooth design without sharp edges a good and fast wound healing is given.

8. Resistance to abrasion

MultiFlex have a very dark laser printing with a high contrast and it isn't possible to remove the printing by washing with water or solvents or by wiping with sandpaper. The long term experience of CAISLEY's MultiFlex shows that the printing resists all these effects longer than seven years from delivery.

CHAPTER III

Technical Requirements for Printed Ear Tags Packing

- 3.1. The offered MultiFlex L/L Tags for sheep will be delivered in strips of five father parts. Mother parts are supplied as single parts. Mother and father parts are prepacked separately into plastic bags with two compartments to 50 pieces. 200 plastic bags are packed into one box, so that a box contains eartags for 1000 animals.
- 3.2. The offered MultiFlex P/P Tags for swine will be delivered in strips of five father parts. Mother parts are supplied as single parts. Mother and father parts are prepacked separately into plastic bags with two compartments to 50 pieces. 200 plastic bags are packed into one box, so that a box contains eartags for 1000 animals.

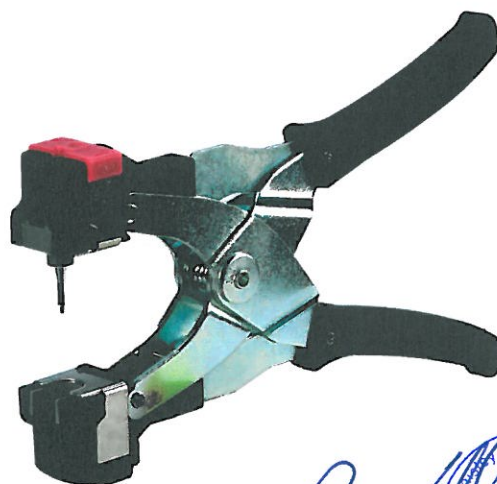
The offer will be accompanied by the specimen of the printed tags for each species.

CHAPTER IV

Additional Requirements for all types of ear tags

4. Compatibility with the application equipment held by the beneficiary

- 4.1. All offered ear tags can be applied with the Universal MultiFlex Applicator. This Applicator is designed by CAISLEY to complement the good features and the benefit of the CAISLEY tags. It is compatible to the complete product range of FlexoPlus (bovine) and MultiFlex (sheep, goat, and swine). The Applicator and the tags are developed by CAISLEY so that is full compatibility guaranteed.
- 4.2. As stated in the accompanying letter, CAISLEY is the manufacturer of both, the offered eartags and the applicator MultiFlex, specified in the technical requirements. We hereby guarantee the compatibility of all offered MultiFlex eartags for sheep, goats and pigs are fully compatible with the specified applicator.



CAISLEY Universal Applicator



Specificații de preț (F4.2)

[Acest tabel va fi completat de către ofertant în coloanele 5, 6, 7, 8, iar de către autoritatea contractantă – în coloanele 1, 2, 3, 4, 9, 10]

Numărul procedurii de achiziție: **ocds-3bwdp1-MD-1574407126168 din 22.11.2019**

Denumirea procedurii de achiziție: **Crotalii pentru animale**

Cod CPV	Denumirea bunurilor	Unitatea de măsură	Cantitatea	Preț unitar (fără TVA)	Preț unitar (cu TVA)	Suma fără TVA	Suma cu TVA	Termenul de livrare	Clasificație bugetară (IBAN)
1	2	3	4	5	6	7	8	9	10
Lotul nr. 1: Crotalii pentru animale									
1.1	Crotalii neimprimate: Bovine	Bucată	40000	0,4244 EUR		16.976 EUR		În decurs de 40 zile de la semnarea contractului	MD21TRPCCCS18430A01371AA
1.2	Crotalii imprimate: Ovine	Bucată	50000	0,0674 EUR		3.370 EUR		În decurs de 40 zile de la semnarea contractului	MD21TRPCCCS18430A01371AA
1.3	Crotalii imprimate: Porcine	Bucată	70000	0,0623 EUR		43.610 EUR		În decurs de 40 zile de la semnarea contractului	MD21TRPCCCS18430A01371AA
	TOTAL					63.956 EUR			

Semnat:  Numele, Prenumele: **Nehls, Reinhard** în calitate de: **Managing Director**

Ofertantul: **CAISEY International GmbH** Adresa: **Harderhook 31, 46395 Bocholt, Germany**

