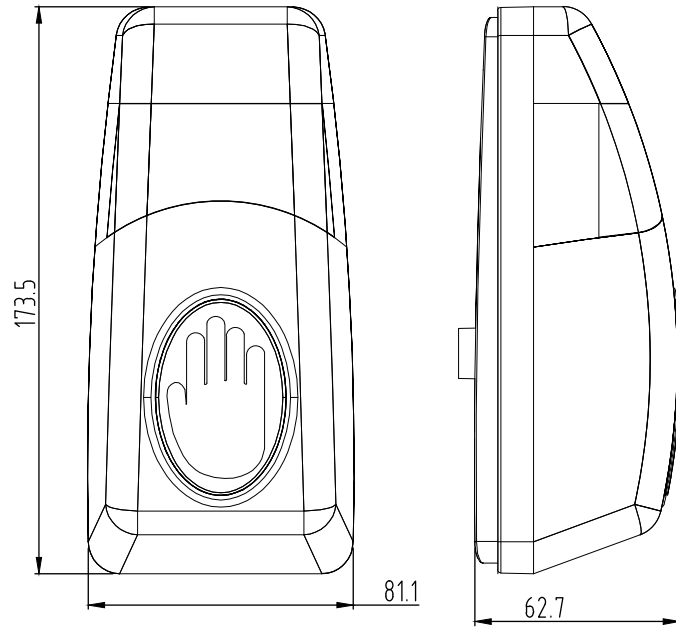


# Pedestrian Button User Manual



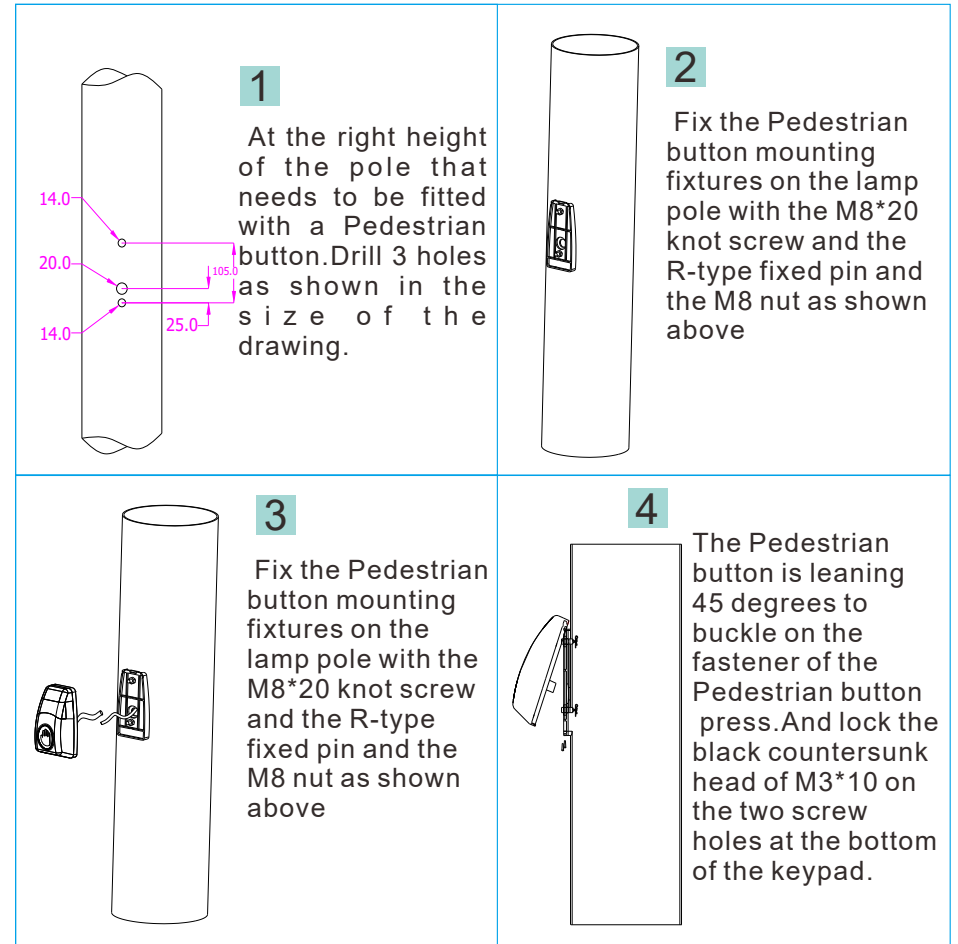
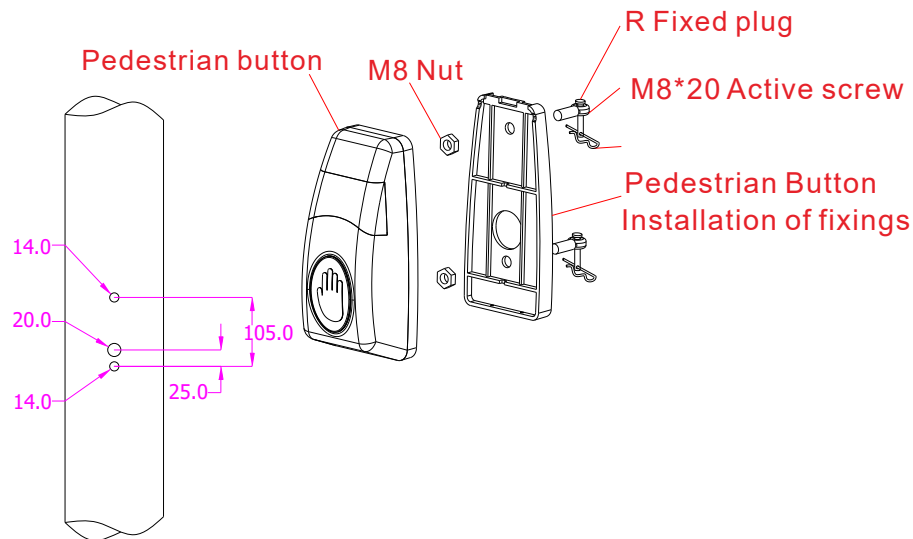
- In order to ensure the comfort of the customer, please install it correctly according to the contents of this Installation Manual.
- The Company reserves to modify permissions of the "manual" in content and without notice. When a new version of the "User Manual" is used, the old version will be automatic stop used.
- If any questions, please contact the company, we will be happy to provide you with more detailed answers.

## Product Size

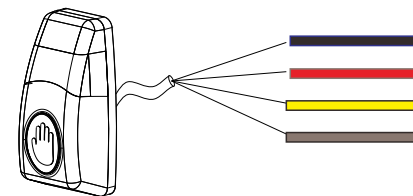


## Installation Instructions

### Installation overall structure



## Wiring Diagram



Wire color	PTB-20-V12
Black color	L Line
Red color	N Line
Brown color	Relay NO.
Yellow color	RelayCOM