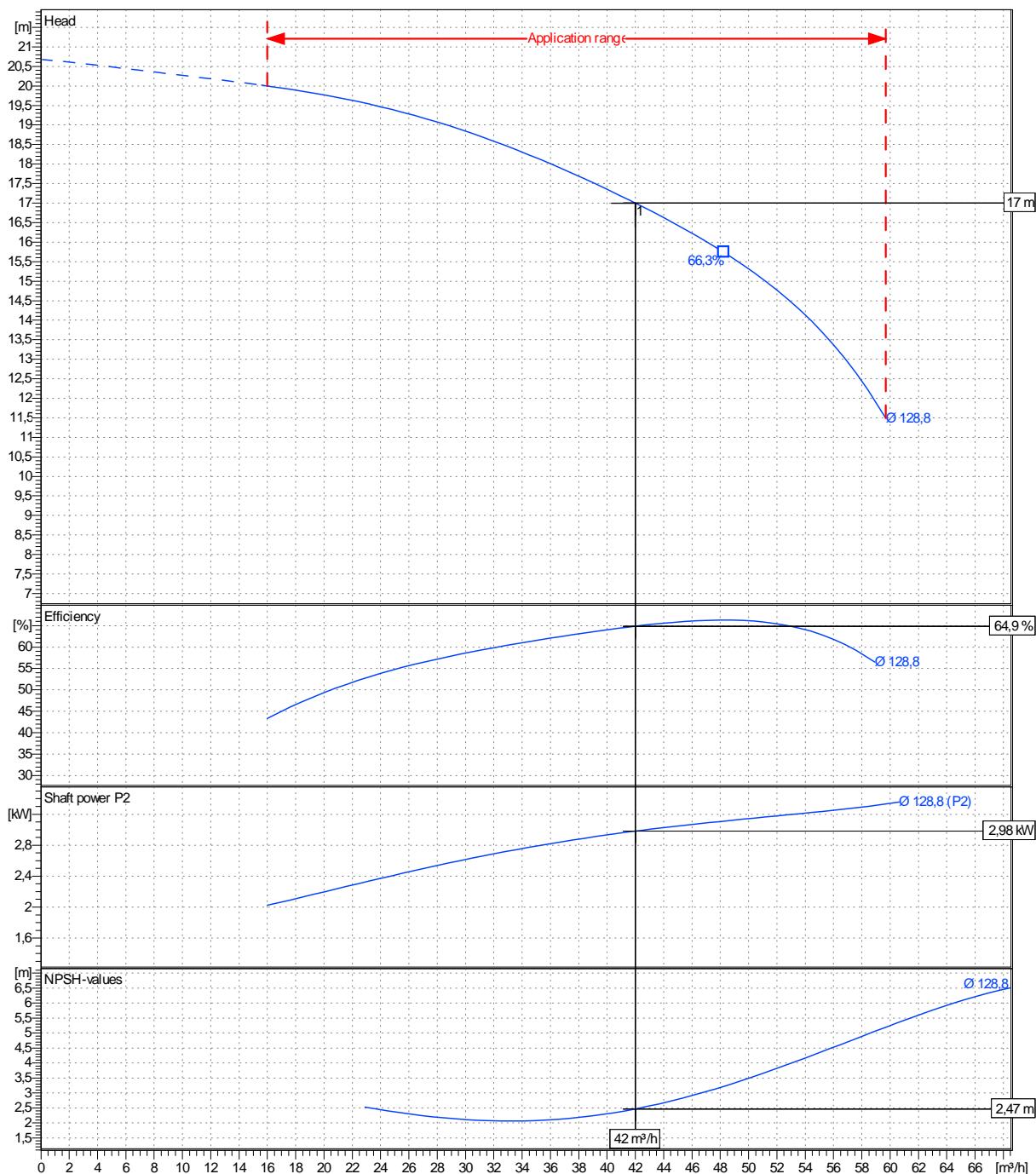


Receiver	From
Company name	
Respons. Department	
Person in charge	
Phone number	
Fax no	
E-mail address	

Operating area	Flow	Head	Impeller type	Radial impeller						
Operating data specification	42 m ³ /h	17 m	Impeller construction	Closed						
Pump data	42 m ³ /h	17 m	Sense of rotation	Clockwise from the drive end						
			Outlet width	DN65						
	Flow		Head		Shaft power P2		Speed		1/min	2900
	Min.	Max.	η Max.	H(Q=0)	η Max.	P2(Q=0)	Max.	η Max.	Frequency	Hz
	m ³ /h	m ³ /h	m ³ /h	m	m	kW	kW	kW		
	16	59,7	48,3	20,7	15,7		3,35	3,11		

 Performance data based to: Water, pure [100%]; 130°C; 0,998kg/dm³; 1mm²/s

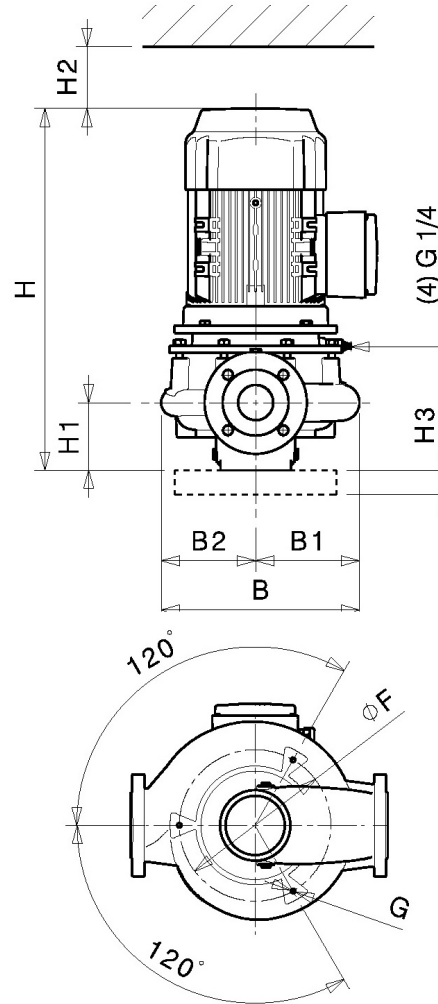
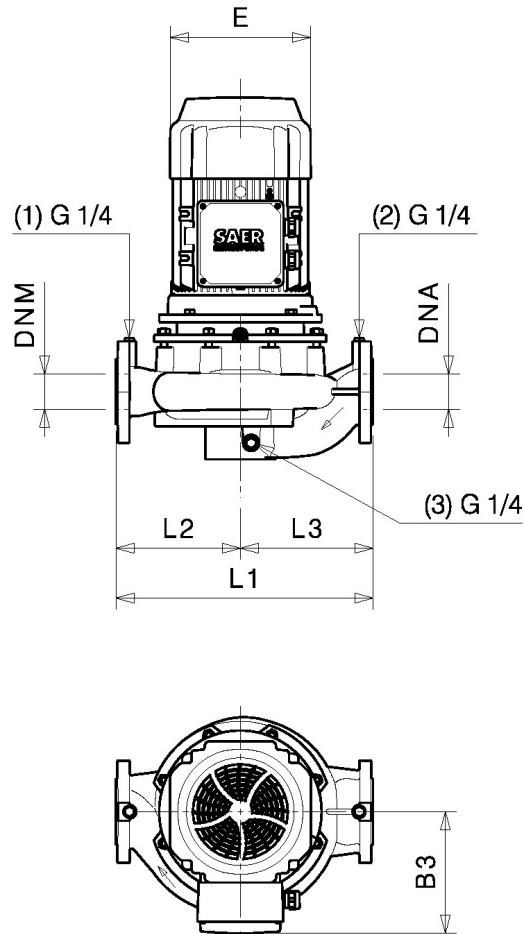
UNI EN ISO 9906:2012 - Grade 3B



Project	Project ID	Created by	Created on	Last update
			2024-05-10	

Revision no

Pump dimensions



Disegni dimensionali e immagini non vincolanti. Saer si riserva il diritto di effettuare cambiamenti senza alcun preavviso.
Dimensional drawing and picture are not binding. Saer reserves the right to make changes without prior notice.

Connections

Suction side DN65 PN10 / PN16	Discharge port DN65 PN10 / PN16
-------------------------------------	---------------------------------------

Dimensions in mm

B	261
B1	146
B2	115
B3	140
E	196
F	180
G	M10
H	565
H1	105
H2	130
H3	40
L1	360
L2	160
L3	200

Project

Project ID

Created by

Created on
2024-05-10

Last update