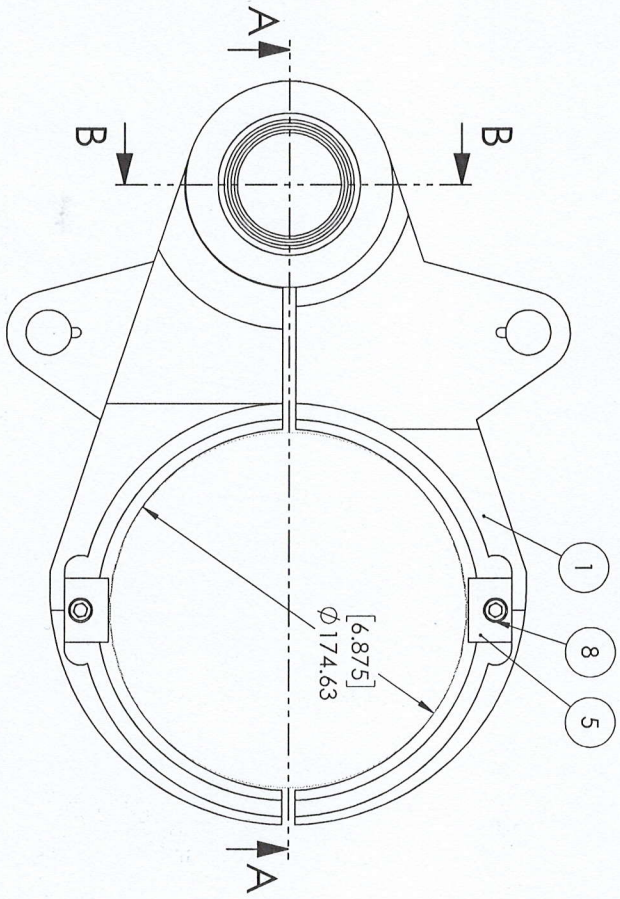
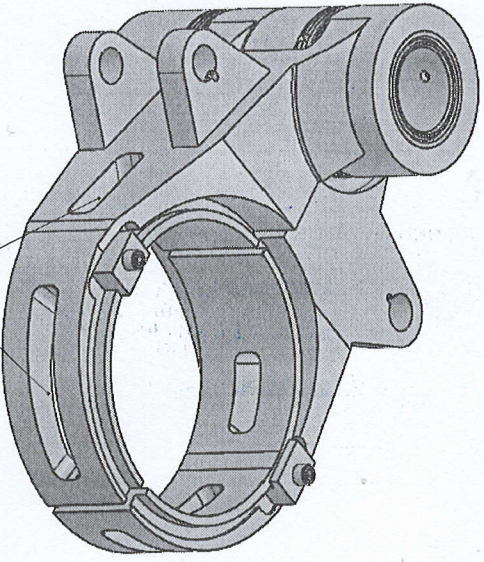


SECTION A-A



SECTION B-B

ADDITIONAL COOLING SLOTS



ITEM NO.	PART NUMBER	DESCRIPTION	QTY.
1	WYE 2608-4	5 1/2 SG MOULD HOLDER	2
2	WYE 1421	OUTER BUSH	2
3	WYE 1422	INNER BUSH	2
4	WYE-1009C	THRUST WASHER	4
5	191-10737	LOCATING BLOCK	2
6	WYE-1506	1/2" UNC HINGE SCREW	2
7	P48	SELOC PIN 3/16 x 3/4"	4
8	V1211-0312-1000	5/16 x 1 SHCS	2

Scale 1:1

Sheet 1 of 1

DIMENSIONS ARE IN MILLIMETRES UNLESS OTHERWISE STATED

TOLERANCES UNLESS SPECIFIED  
 0 ± 0.5mm  
 0.0 ± 0.25mm  
 0.00 ± 0.12mm

LATTIMER

Customer	LATTIMER LTD	Drawn	RL	Date	19/12/2022
Material	SEE BOM	Approved	-	Date	-
Desc	5-1/2" SG NO.4 BLANK MOULD HOLDER	Issue	01	Update No	-
DRG No	WYE-2608C-CH	Issue	01	Update No	-



This drawing is a confidential and is the sole property of Lattimer. It is not to be copied or distributed to any third party without the prior written authorisation of Lattimer Ltd.