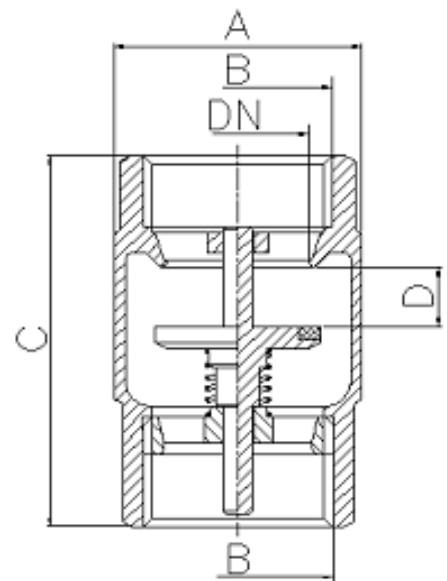
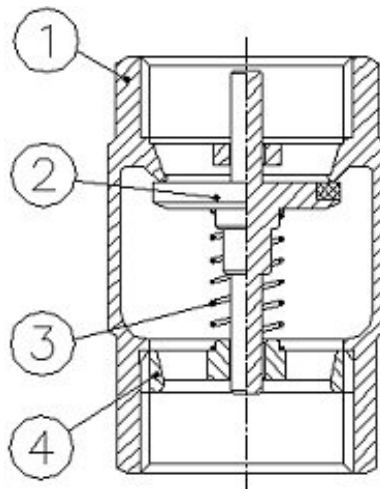


Art.: 3121

Válvula de retención REGE / REGE Check valve

| Características | Features |
|---|--|
| 1. Válvula de retención monobloque (sólo hasta 2") y desmontable. | 1. Removable and monoblock (only up to 2") check valve. |
| 2. Construcción en latón forjado s/ UNE-EN 12165. | 2. Hot-forging brass according to UNE-EN 12165. |
| 3. Extremos rosca gas (BSP) hembra s/ ISO 228/1. | 3. Threaded female ends gas (BSP) acc/ ISO 228/1. |
| 4. Temperatura de funcionamiento: Aire: -20° C a 100° C. Gas: -20° C a 60° C. Agua: 0° C a 100° C. | 4. Working temperature: Air: -20 °C to 100° C. Gas: -20 °C to 60° C. Water: 0 °C to 100° C. |
| 5. Presión máxima de trabajo 25/18/12 bar (PN-25/ PN-18/ PN-12) (Ver tabla). | 5. Maximum working pressure 25/18/12 bar (PN-25/ PN-18/ PN-12) (See table). |
| 6. Apta para todo tipo de instalaciones industriales, neumáticas e hidráulicas. | 6. Suitable for all kind of industrial, pneumatic and hydraulic installations. |
| 7. Montaje multi posiciona (horizontal, vertical y oblicuo). | 7. Multipositional setting up (horizontal, vertical and oblique). |
| 8. Junta de clapeta vulcanizada de NBR. | 8. Vulcanized NBR gasket plate. |
| 9. Muelle en acero inoxidable AISI 304. | 9. Stainless steel spring AISI 304. |



| Nº | Denominación / Name | Material | Acabado Superficial / Surface Treatment |
|----|---------------------|--|---|
| 1 | Cuerpo / Body | Latón / Brass CW617N | Granallado + Mecanizado / Peened + Machining |
| 2 | Clapeta / Plate | Latón + NBR / Brass + NBR | Granallado + Mecanizado + Vulcanizado / Peened + Machining + Vulcanized |
| 3 | Muelle / Spring | Acero Inox. 304 / Stainless steel AISI 304 | - |
| 4 | Anillo / Ring | Latón / Brass CW617N | Granallado + Mecanizado / Peened + Machining |

| Ref. | Medida / Size | DN | Dimensiones / Dimensions (mm) | | | | Peso / Weight (Kg) |
|---------|---------------|-----|-------------------------------|------|------|------|--------------------|
| | B | | PN | ØA | C | D | |
| 3121 04 | G 1/2" | 15 | 25 | 30 | 50 | 7,5 | 0,101 |
| 3121 05 | G 3/4" | 20 | 25 | 36,5 | 57 | 8,5 | 0,164 |
| 3121 06 | G 1" | 25 | 25 | 43 | 65 | 10,5 | 0,259 |
| 3121 07 | G 1 1/4" | 32 | 18 | 53 | 70 | 11 | 0,361 |
| 3121 08 | G 1 1/2" | 40 | 18 | 64,5 | 75,5 | 12 | 0,513 |
| 3121 09 | G 2" | 50 | 18 | 79,5 | 81,5 | 14 | 0,795 |
| 3121 10 | G 2 1/2" | 65 | 12 | 104 | 104 | 22 | 1,536 |
| 3121 11 | G 3" | 80 | 12 | 124 | 113 | 23,5 | 2,349 |
| 3121 12 | G 4" | 100 | 12 | 155 | 132 | 27 | 3,707 |

DIAGRAMA PÉRDIDA DE CARGA / HEAD LOSS CHART

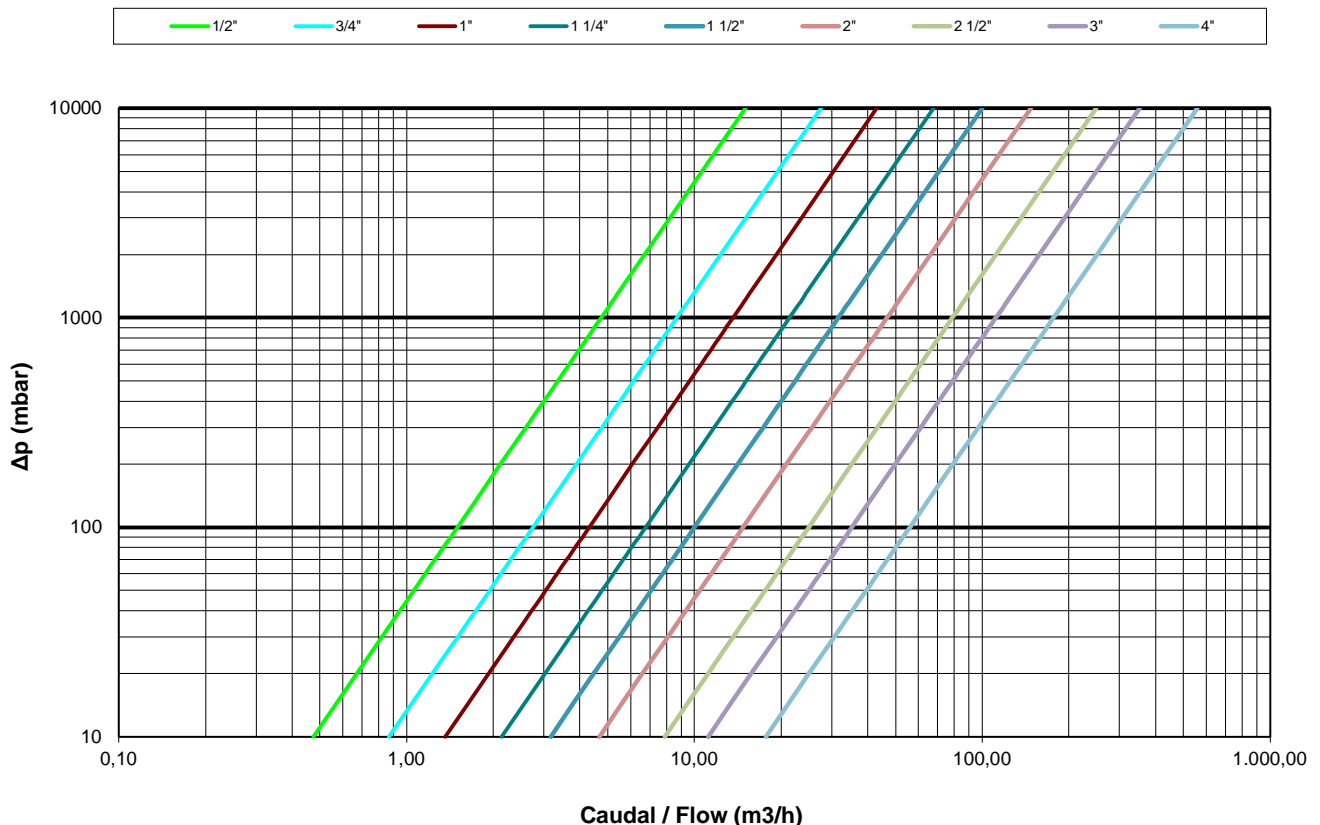
(Válvula retención / Check valve)

Valores de Kv / Kv Values:

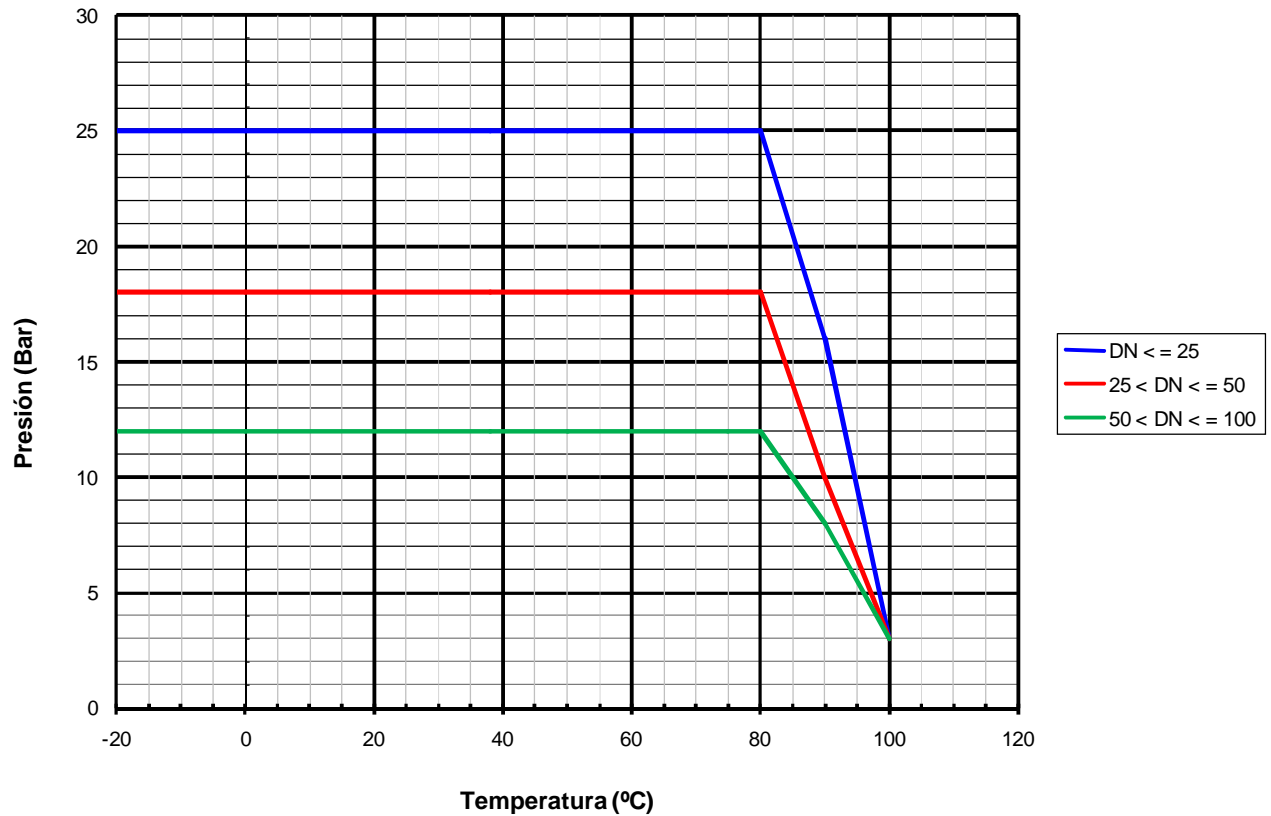
Kv = Es la cantidad de metros cúbicos por hora que pasará a través de la válvula generando una pérdida de carga de 1 bar.

Kv = The flow rate of water in cubic meters per hour that will generate a pressure drop of 1 bar across the valve.

| Medida / Size | 1/2" | 3/4" | 1" | 1 1/4" | 1 1/2" | 2" | 2 1/2" | 3" | 4" |
|---------------|------|------|-------|--------|--------|------|--------|-------|-------|
| Kv | 4.74 | 8.7 | 13.61 | 21.38 | 31.63 | 46.7 | 78.77 | 111.5 | 176.9 |



CURVA PRESIÓN - TEMPERATURA / PRESSURE - TEMPERATURE RATING



PRESIÓN MÍNIMA DE APERTURA / MINIMUM OPENING PRESSURE (Válvula de retención roscada 3121 / Threaded ends check valve 3121)

| Medida / Size | 1/2" | 3/4" | 1" | 1 1/4" | 1 1/2" | 2" | 2 1/2" | 3" | 4" |
|---------------|------|------|----|--------|--------|----|--------|----|----|
| mbar | 23 | 26 | 25 | 18 | 31 | 14 | 14 | 10 | 8 |