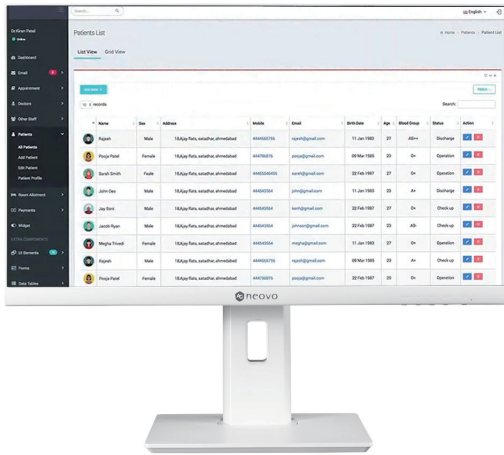


# ME-2701 27" CLINICAL REVIEW MONITOR

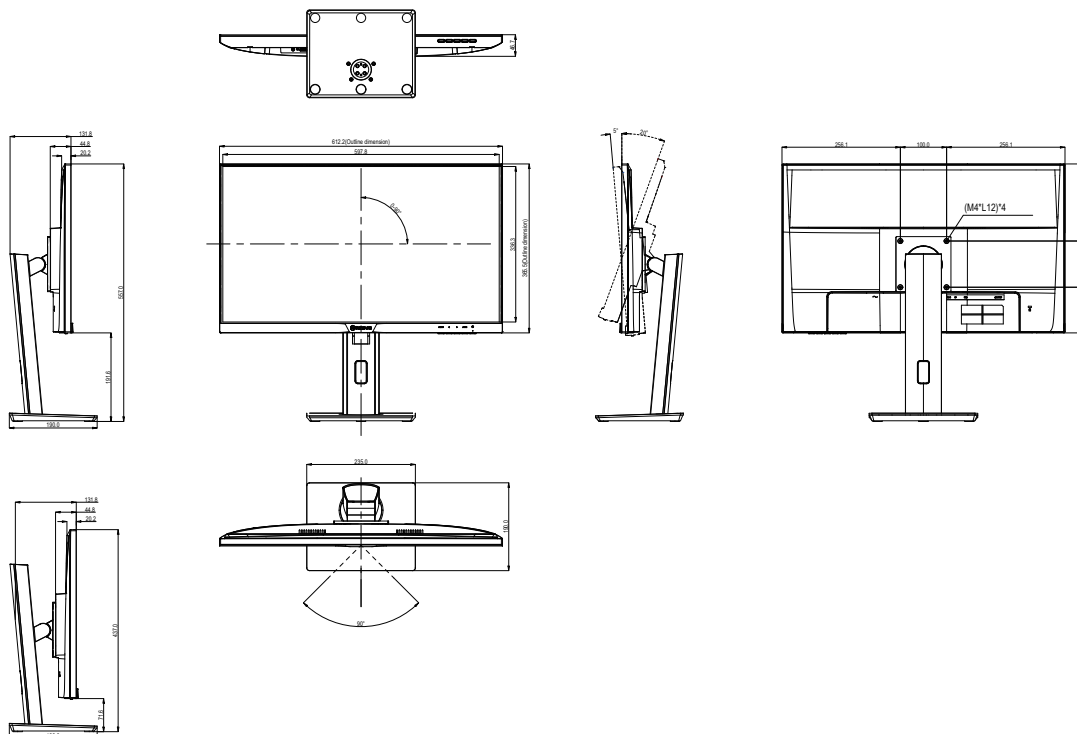
## FEATURES

- Full HD 1920 x 1080 resolution
- Medical adaptor certified to IEC/EN 60601-1 and IEC/EN 60601-2 medical standards
- Ergonomic stand design with tilt, pivot, swivel, and height adjustment
- HDMI and DisplayPort inputs with integrated dual speakers
- VESA mounting suitable for flexible installation in healthcare settings.



Introducing the ME-2701, a 27" clinical review monitor thoughtfully crafted to revolutionise document scrutiny in clinics. Every meticulous detail is accentuated, enhancing patient record evaluations. Beyond its crisp display, the monitor champions safety with its IEC/EN 60601 certified power adaptor. Its sophisticated ergonomic design, combined with VESA mounting compatibility, promises versatility – from a traditional desk setup to the hustle and bustle of medical trolleys.

## TECHNICAL DRAWING



## SPECIFICATIONS

<b>Panel</b>	
Panel Type	IPS
Panel Size	27.0"
Max. Resolution	FHD 1920 x 1080
Pixel Pitch	0.311 mm
Brightness	250 cd/m <sup>2</sup>
Contrast Ratio	20,000,000 (DCR)
Viewing Angle (H/V)	178°/178°
Display Colour	16.7M
Response Time	5 ms
Surface Treatment	Anti-Glare Treatment (Haze 25%), 3H Hard Coating
<b>Frequency</b>	
Frequency (H)	30 kHz-112 kHz
Frequency (V)	56 Hz-100 Hz
<b>Signal Input</b>	
DisplayPort	x 1
HDMI	1.4 x 1
<b>Audio</b>	
Audio Out	Stereo Audio Jack (3.5 mm)
Internal Speakers	2W x 2
<b>Power</b>	
Power Supply	External
Power Requirements	DC 12V, 5.0A
On Mode	20W (On)
Standby Mode	< 0.5W
Off Mode	< 0.3W
<b>Operating Conditions</b>	
Temperature	0°C-40°C (32°F-104°F)
Humidity	10%-85% (non-condensing)
<b>Storage Conditions</b>	
Temperature	-20°C-60°C (-4°F-140°F)
Humidity	5%-95% (non-condensing)
<b>Mounting</b>	
VESA FPM/PMI	Yes (100 x 100 mm)
<b>Stand</b>	
Tilt	-5° to 20°
Pivot	0° to 90°
Swivel	± 45°
Height Adjustment	0-120 mm
<b>Security</b>	
Kensington Security Slot	Yes
<b>Dimensions</b>	
Product with Base (W x H x D)	612.2 x 557.0 x 190.0 mm (24.1" x 21.9" x 7.5")
Product w/o Base (W x H x D)	612.2 x 336.3 x 46.7 mm ( 24.1" x 13.2" x 1.8")
Packaging (W x H x D)	696.0 x 437.0 x 188.0 mm (27.4" x 17.2" x 7.4")
<b>Weight</b>	
Product with Base	6.2 kg (13.7 lb)
Product w/o Base	3.9 kg (8.6 lb)
Packaging	7.9 kg (17.4 lb)
<b>Regulation Approval</b>	
Certifications & Compliance	CE, LVD, WEEE, RoHS, REACH, EAC
Power Adaptor Certifications	CE, BSMI, CCC, CB, WEEE, cUL, FCC, PSE, IEC/EN 60601-1, IEC/EN 60601-1-2
<b>Accessories</b>	
Supplied	HDMI Cable, Power Adaptor, Power Cord, Quick Start Guide
<b>Optional Accessories</b>	
Ceiling Mount	CMP-01 + WMK-03
Wall Mount	WMA-01, WMK-01, WMK-03, PMK-01
Desk Mount	DMC-01, DMC-02D, DMS-01D, ES-02

