

Disposable Exchange Filter(HME Filter)

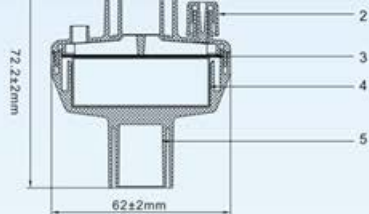
Function:moistening,warming and filtering the gas that come out from the breathing machine.

Made by medical plastic PP.

High effective filtering rate : 99.99%

Size:Adult, Child

Packing:Individual Blister Bag



NO.	Components	Material	Quantity
1	Upper Cover	PVC	1
2	Screw Cap	PP	1
3	Filteringmembrane	polyurethane	1
4	Humidifying paper		1
5	Lower Cover	PP	1

GT032-400A Disposable Tracheostomy Heat Moisture Exchanger

Tidal Volume:200-1500ml;Moisture Output(mg H2O / L air):24/25mg@Vt 500ml;Resistance(cm H2O) :<2.3@60L/min

size:Adult

Packing:Individual Blister Bag



Model	GT032-400A	GT032-400B	GT032-400C	GT032-400D
Recommended tidal volum(ml)	>75	>75	>75	>75
Moisture loss* (mg H2O/lair)	9.0(@Vt 500ml)	9.2(@Vt 500ml)	9.0(@Vt 500ml)	9.0(@Vt 500ml)
Resistance(pa)	15 at 30l/min	50 at 30l/min	20 at 30l/min	20 at 30l/min

GT032-200 Disposable Bacterial/Viral Filter

Function:Mainly used for filtering the bacterial,viral and wetting the gases in breathing machine and anesthesia circuits, also can be used with Lung function examination equipment to protect the instruments by filtering the bacterial.

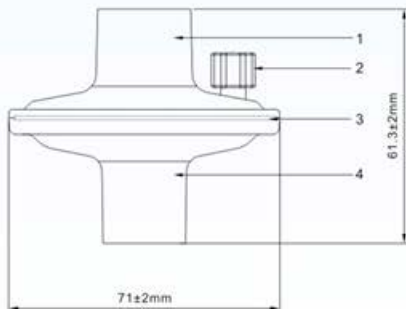
Made of medical high polymer material.

Filter medium is primarily a superfine polypropylene fiber with static electricity,and polypropylene is Hydrophobic materials that restrains the growing of fungus,bacterial and viral.

Packing:Individual Blister Bag



NO.	Components	Material	Quantity
1	Upper Cover	PVC	1
2	Screw Cap	PP	1
3	Filteringmembrane	polyurethane	1
4	Lower Cover	PP	1

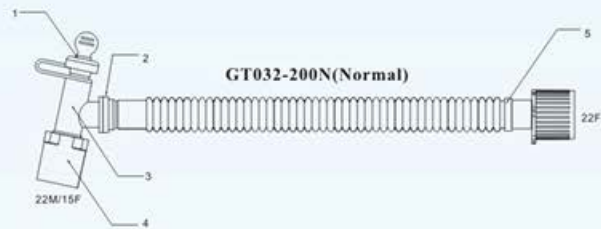


Catheter Mount

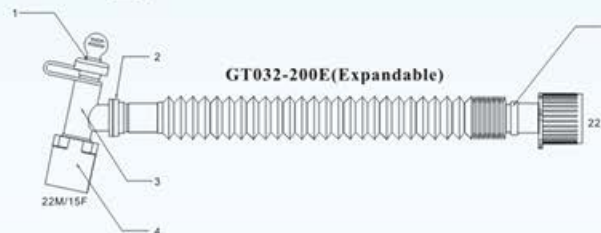
Length:18CM

Size:15mm,22mm

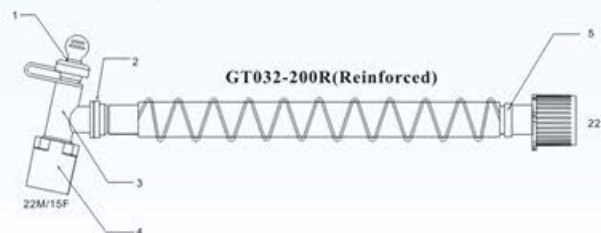
Packing :Individual Blister Bag



GT032-200N(Normal)



GT032-200E(Expandable)



GT032-200R(Reinforced)

NO.	Components	Material	Quantity
1	Stifle Cover	PVC	1
2	Side connector	PP	1
3	3-way connector	PP	1
4	Straight connector	PP	1
5	Tube connector	PP	1