

CAISLEY INTERNATIONAL GMBH – HARDERHOOK 31 – D-46395 BOCHOLT

IP Serviciul Tehnologia Informației și Securitate
Cibernetică
Piața Marii Adunări Naționale 1
MD-2012, mun.Chișinău, mun.Chișinău
Republica Moldova

Ihr Zeichen:
Your Ref:

Unser Zeichen:
Our Ref:

Ihre Nachricht vom
Your message of
CN/HW

Datum
Date
20. Februar 2019

Quotation for public tender Nr.: ocds-b3wdp1-MD-1549653900063 for “crotalii pentru animale”

Dear Sirs,

thank you very much for inviting CAISLEY International GmbH to participate in the above mentioned tender procedure. We hereby confirm that we offer the requested and specified goods to the full extent and according to the requirements of the contracting authority.

CAISLEY International GmbH is active in the field of livestock identification systems and products for more than 30 years and our products for cattle, pig, sheep and goat registration are approved in many countries worldwide and we supply them into more than 70 countries on a regular base. Since a couple of years CAISLEYs FlexoPlus and MultiFlex eartags are approved and used for National livestock identification purposes in the Republic of Moldova.

We would be glad to be chosen as your supplier for the current procurement of identification means and already ensure that we would fulfil the contract at our best performance and according to all specifications.

Please find in the following our quotation for the requested goods. Our offer contains:

- Form F3.1 (bid form) including the following appendices:
 - a) extract from the Commercial Register (Amtsgericht Coesfeld) of 07.01.2019
 - b) confirmation of fiscal authorities (Finanzamt Borken) of 04.01.2019

-1-

- c) confirmation of social insurance carrier (AOK Rheinland/Hamburg) of 04.01.2019
- d) confirmation of certified public accountant (bswp) of 08.01.2019
- e) confirmation of Amtsgericht Münster of 14.01.2019

During the last three years, the turnover of CAISLEY International GmbH, completely generated by production and distribution of livestock identification systems has been as follows:

2014/2015	2015/2016	2016/2017
7.842 million EUR	9.395 million EUR	9.926 million EUR

The fiscal year of CAISLEY International starts on October 1st and ends on September 30th of the following calendar year. We are not able to provide certified figures for the fiscal year 2017/2018, as the accounts for 2017/2018 have not been approved yet.

Further information with detailed data can be found in the public database of the German Ministry of Justice and Consumer Protection:

https://www.bundesanzeiger.de/ebanzwww/wexsservlet?session.sessionid=606a8c2498a0127c96f0c09ee2ad2824&global_data.designmode=eb&genericsearch_param.fulltext=CAISLEY+international+gmbh&genericsearch_param.part_id=&%28page.navid%3Dto_quicksearchlist%29=Suchen

- Bid guarantee

Instead of a bid guarantee of our local bank, CAISLEY has paid an amount of 700,- EUR by wire transfer to the following account:

Recipient: IP Serviciul Tehnologia Informației și Securitate Cibernetică
Recipients bank: Ministerul Finantelor – Trezoreria de Stat
Fiscal no.: 1003600096694
Account no.: MD21TRPCCC518430A01371AA
Settlement account: 2264011002
Reason for transfer: bid guarantee for quotation for procurement procedure
ocds-b3wdp1-MD-1549653900063

- DUAE form

Additional information to the DUAE declaration:

- a) Tax certification of Finanzamt Borken (see above)
- b) Certificate of insurance company Nürnberger Versicherung of 10.01.2019

CAISLEY International GmbH has established a quality management system according to the requirements of ISO 9001:2015.

- Please find attached the current certificate, issued by TÜV Rheinland on 22.06.2019, valid until 14.06.2019. Part of this quality management system are CAISLEYs procedures for continuous improvement. All employees are involved in this process and consider improvements of all processes and products on a regular base.

The environmental management and audit scheme is set-up according to the specifications of the ÖkoProfit standard.

- Please find attached the ÖkoProfit certificate of CAISLEY International GmbH.

CAISEY International GmbH has further established trainings and continuing education of employees in all areas of operation. The training program is set-up on an annual basis. Our employees hold diplomas in management, leadership, mechanical engineering, electronic engineering, optics, robotics, fire protection and fire safety, financial accounting and further skills.

CAISLEYs team comprises the following number of executive employees:

2016: 6

2017: 6

2018: 7

Our company is associate member of ICAR, the International Committee for Animal Recording. Over the last 15 years, ICAR has set up standards and normative rules for the test and approval

of plastic eartags as well as electronic eartags with implemented transponders (RFID).

CAISLEY's cattle eartags FlexoPlus are approved according to those standards.

- Please find attached the corresponding ICAR certificate.

The offered MultiFlex L/L eartags for sheep and goats as well as the MultiFlex P/P eartags for pig identification are also approved for national identification schemes. Please find attached two certificates of Sächsischer Landeskontrollverband e.V. that confirm the characteristics of such tags as well as the already mentioned FlexoPlus eartags.

Reference projects:

Recently CAISLEY has supplied the following projects with comparable products:

Customer: Lauksaimniecības datu centrs
Address: Republikas laukums 2, Rīga, LV-1010, Latvia
Tel.: (+371) 6 702 7240
Fax: (+371) 6 702 7006
Contact: Director Ivans Vorslovs
Range: Supply of blank and printed eartags for all species
Value: 2016: 57.400 EUR; 2017: 144.700 EUR; 2018: 79.800 EUR

Customer: Landeskuratorium der Erzeugerringe Bayern e.V.
Address: Landsberger Str. 282, 80687 Munich, Germany
Tel.: (+49) 89 544348-0
Fax: (+49) 89 544348-10
Contact: Managing Director Dr. Duda
Range: Supply of blank and printed eartags for all species
Value: 2016: 1.780.200 EUR; 2017: 1.668.800 EUR; 2018: 1.671.300 EUR

Customer: Ghislandi & Ghislandi srl.
Address: Via S. Filippo e Giacomo s.n., 24050 Covo (BG), Italy
Tel.: (+39) 0363 938700
Fax: (+39) 0363 93722

Contact: Managing Director Mr. Angelo Ghislandi
Range: Supply of blank and printed eartags for all species
Value: 2016: 163.300 EUR; 2017: 189.800 EUR; 2018: 202.300 EUR

- Form F4.1 (technical proposal)
- Appendix to F4.1 with further information to technical specifications of annex 1 und 2

We hereby declare that the offered eartag models FlexoPlus G/D, MultiFlex L/L and MultiFlex P/P are compatible to the applicator, specified in chapter III of annex 1 and chapter V of annex 2. CAISLEY International GmbH is the manufacturer of this “applicator multiflex” and we guarantee full compatibility. The applicator can be used for the application of all MultiFlex and FlexoPlus eartags as well as for FlexoTronic RFID eartags and FlexoPlus Geno tissue sampling eartags.

- Form F4.2 (commercial proposal)

Please be informed that the all prices are given DAT (Incoterms 2010), as neither CAISLEY International GmbH nor our transporting partners are able to arrange customs clearance. The customs clearance has to be processed by a company with legal seat in the Republic of Moldova. We ask for acceptance by the contracting authority.

Kind regards



The image shows a handwritten signature in blue ink over a circular blue stamp. The stamp contains the text 'Caisley International GmbH', 'MRB 0112', and 'Moldova'. The signature is written in a cursive style.

Henrik Winkeler

Formularul ofertei (F3.1)

[Ofertantul va completa acest formular în conformitate cu instrucțiunile de mai jos. Nu se vor permite modificări în formatul formularului, precum și nu se vor accepta înlocuiri în textul acestuia.]

Data depunerii ofertei: “22.” February 2019

Procedura de achiziție Nr.: ocds-b3wdp1-MD-1549653900063

Anunț de participare Nr.: _____

Către: IP Serviciul Tehnologia Informației și Securitate Cibernetică

[numele deplin al autorității contractante]

CAISLEY International GmbH declară că:

[denumirea ofertantului]

a) Au fost examinate și nu există rezervări față de documentele de atribuire, inclusiv modificările nr. -.

[introduceți numărul și data fiecărei modificări, dacă au avut loc]

b) - se angajează să

[denumirea ofertantului]

furnizeze în conformitate cu documentele de atribuire și condițiile stipulate în specificațiile tehnice și preț, următoarele bunuri eartags for identification of cattle, sheep, goats and pigs according to technical specifications.

[introduceți o descriere succintă a bunurilor]

c) Suma totală a ofertei fără TVA constituie:

63.890,- EUR (sixty three thousand eight hundred ninty Euro).

[introduceți prețul pe loturi (unde e cazul) și totalul ofertei în cuvinte și cifre, indicând toate sumele și valutele respective]

d) Suma totală a ofertei cu TVA constituie:

not applicable.

[introduceți prețul pe loturi (unde e cazul) și totalul ofertei în cuvinte și cifre, indicând toate sumele și valutele respective]

e) Prezenta ofertă va rămâne valabilă pentru perioada de timp specificată în **FDA3.8.**, începând cu data-limită pentru depunerea ofertei, în conformitate cu **FDA4.2.**, va rămâne obligatorie și va putea fi acceptată în orice moment pînă la expirarea acestei perioade;

f) În cazul acceptării prezentei oferte, CAISLEY International GmbH

[denumirea ofertantului]

se angajează să obțină o Garanție de bună execuție în conformitate cu **FDA6**, pentru executarea corespunzătoare a contractului de achiziție publică.

g) Nu sîntem în nici un conflict de interese, în conformitate cu art. 74 din Legea nr. 131 din 03.07.2015 privind achizițiile publice.

h) Compania semnatară, afiliații sau sucursalele sale, inclusiv fiecare partener sau subcontractor ce fac parte din contract, nu au fost declarate neeligibile în baza prevederilor legislației în vigoare sau a regulamentelor cu incidență în domeniul achizițiilor publice.

Semnat: 

[semnătura persoanei autorizate pentru semnarea ofertei]

Nume: Henrik WINKELER

În calitate de: Managing Director

[funcția oficială a persoanei ce semnează formularul ofertei]

Ofertantul: CAISLEY International GmbH

Adresa: Harderhook 31, 46395 Bocholt, Germany

Data: "22" February

2019



Translation from the German Language

(Coat of arms of North Rhine-Westphalia)

Coesfeld District Court

HRB 8113

**Official current printout
7 January 2019 10:21:01**

The printout confirms the content of the commercial register.

Certified

Müller
Judicial Officer

(Stamp)

Commercial register B of Coesfeld District Court	Department B Copy of the current register content Retrieved on 07.01.2019 10:20	Company number: HRB 8113
Official printout	Page 1 of 2	

1. Number of previous entries:

4

2. a) Company:

Caisley International GmbH

b) Registered office, branch, local business address, authorised recipient, affiliates:

Bocholt
Business address: Harderhook 31, 46395 Bocholt

c) Purpose of the company:

The manufacture and sale of plastic products of all kinds. The company can hold shares in other companies as long as their purpose is similar to the company's purpose and operate other businesses which are beneficial to the purpose of the company.

3. Nominal or share capital:

EUR 30,000.00

4. a) General representation regulations:

If only one managing director has been appointed, then he shall represent the company alone. If several managing directors are appointed, the company shall be represented by two managing directors or by one managing director together with an authorised representative.

b) Board of directors, management body, managing directors, personally liable partners, managers, authorised representatives and special power of presentation:

Authorised to represent solely:
Managing director: Winkeler, Henrik, Euskirchen, *28.08.1973

Authorised to represent solely; authorised to transact on behalf of the company with his own name or as a representative of third parties:
Managing director: Nehls, Reinhard, Bocholt, *17.01.1951

5. Power of procuration:

Commercial register B of Coesefeld District Court	Department B Copy of the current register content Retrieved on 07.01.2019 10:20	Company number: HRB 8113
Official printout	Page 2 of 2	

6. a) Legal form, commencement, bylaws or articles of association:

Limited Liability Company
Articles of association dated 17.01.1989

Last amended by resolution dated 28.08.2014.

b) Other legal relationships:

7. a) Date of last entry:

07.10.2014

This is to certify that the foregoing pages are a true and correct translation of the German Original Copy

(Frank Herder)
Licensed Court Translator



Solingen, this 18th Day of February 2019



Amtsgericht Coesfeld

HRB 8113

**Amtlicher aktueller Ausdruck
vom 07. Januar 2019 10:21:01**

Der Ausdruck bezeugt den Inhalt des Handelsregisters.

Beglaubigt

Müller
Justizamtsinspektorin



Handelsregister B des Amtsgerichts Coesfeld	Abteilung B Wiedergabe des aktuellen Registerinhalts Abruf vom 07.01.2019 10:20	Nummer der Firma: HRB 8113
Amtlicher Ausdruck	Seite 1 von 2	

1. Anzahl der bisherigen Eintragungen:

4

2. a) Firma:

Caisley International GmbH

b) Sitz, Niederlassung, inländische Geschäftsanschrift, empfangsberechtigte Person, Zweigniederlassungen:

Bocholt

Geschäftsanschrift: Harderhook 31, 46395 Bocholt

c) Gegenstand des Unternehmens:

Die Herstellung und der Vertrieb von Kunststoffzeugnissen aller Art. Die Gesellschaft kann sich an anderen Gesellschaften beteiligen, soweit deren Gegenstand dem Gegenstand der Gesellschaft ähnlich ist, und sonstige Geschäfte betreiben, die dem Gegenstand der Gesellschaft dienlich sind.

3. Grund- oder Stammkapital:

30.000,00 EUR

4. a) Allgemeine Vertretungsregelung:

Ist nur ein Geschäftsführer bestellt, so vertritt er die Gesellschaft allein. Sind mehrere Geschäftsführer bestellt, so wird die Gesellschaft durch zwei Geschäftsführer oder durch einen Geschäftsführer gemeinsam mit einem Prokuristen vertreten.

b) Vorstand, Leitungsorgan, geschäftsführende Direktoren, persönlich haftender Gesellschafter, Geschäftsführer, Vertretungsberechtigte und besondere Vertretungsbefugnis:

Einzelvertretungsberechtigt:

Geschäftsführer: Winkeler, Henrik, Euskirchen, *28.08.1973

Einzelvertretungsberechtigt mit der Befugnis im Namen der Gesellschaft mit sich im eigenen Namen oder als Vertreter eines Dritten Rechtsgeschäfte abzuschließen:

Geschäftsführer: Nehls, Reinhard, Bocholt, *17.01.1951

5. Prokura:

6. a) Rechtsform, Beginn, Satzung oder Gesellschaftsvertrag:

Gesellschaft mit beschränkter Haftung

Gesellschaftsvertrag vom 17.01.1989

Zuletzt geändert durch Beschluss vom 28.08.2014

Handelsregister B des Amtsgerichts Coesfeld	Abteilung B Wiedergabe des aktuellen Registerinhalts Abruf vom 07.01.2019 10:20	Nummer der Firma: HRB 8113
Amtlicher Ausdruck	Seite 2 von 2	

b) Sonstige Rechtsverhältnisse:

7. a) Tag der letzten Eintragung:

07.10.2014


H. Will

Stamp: Caisley
07 Jan. 2019

Borken Tax Office
(Coat of arms of North Rhine-Westphalia)

Finanzverwaltung NRW 46322 Borken

Information issued by
Mr Gerards

Caisley International GmbH
Harderhook 31
46395 Bocholt

Direct line Room
02861 938-2242 245

Tax number/reference number Date
307/5749/0243 VBZ 33 04.01.2019

Certificate regarding tax matters

Valid only in the original version without deletions, with signature and official seal or as a certified photocopy

A. Personal information

Name, residence, company headquarters, street, house number Caisley International GmbH, 46395 Bocholt, Harderhook 31	
Tax number/identification number 307/5749/0243/	
Date of birth, date of establishment	Legal form Limited liability company

B. Information on fiscal circumstances

1. It is hereby being certified that the above-mentioned applicant

is not registered here. is registered here with the following types of taxes since 1989:

income tax value added tax business tax wage tax corporate tax

additional establishments in the following tax office with respect to wage tax:

2. At the moment

there are no tax arrears due

there are tax arrears amounting to: _____ €

thereof deferred due to personal reasons of equity: _____ €

thereof wage tax in arrears amounting to: _____ €

3. In the last 24 months, payments were

always or predominantly made on time.

predominantly or always made late.

(Borken Tax Office stamp)

<u>Office building</u> Nording 184 46325 Borken www.finanzverwaltung.nrw.de	<u>Telephone:</u> 02861 938-0 <u>Fax:</u> 0800 10092675307	<u>General office hours:</u> Mon-Fri. 0830-1200 hrs and on appointment <u>Citizens' bureau</u> Mon-Wed. 0730-1500 hrs Thurs. 0730-1730 hrs and Fri. 0730- 1200 hrs	<u>BBk Dortmund</u> IBAN DE96 4400 0000 0040 0015 14 BIC MARKDEF1440
--	---	--	--

Public means of transport: Bus line: R 51 – Steingrube/Finanzamt bus stop Bus line: S75 – Nording Bus stop

B. (Continuation:) Information on fiscal circumstances

4. In the last 24 months, tax returns

- have always or predominantly been filed on time.
- have predominantly or always been filed late or not filed contrary to obligation.

5. In the last 36 months, fines due to tax offences or penalties due to fiscal violations were legally set: no

6. In the last 36 months, proceedings due to tax offences or fiscal violations were initiated and the applicant was informed: no

7. The tax office has

- filed insolvency proceedings with respect to the applicant or has obtained knowledge of corresponding applications by third parties.
- requested the applicant to submit information on financial status.

8. Miscellaneous

- This is a new establishment therefore the tax office does not have any insights on the applicant's fiscal conduct.
- The following variant responsibilities exist:
 - separate assessment pursuant to § 180 paragraph 1 sentence 1 no. 2 letter b of the Fiscal Code
 - entity subject to value added tax

9. Additional information

The entrepreneurial capacity pursuant to § 2 of the Value Added Tax Act is not confirmed with this certificate.

The certificate only considers the facts at the time of issuance of the certificate.

p.p.

Gerards

(Borken Tax Office stamp)

Data privacy statement:

Information on the processing of personal data by the tax authorities and about your rights as per the General Data Protection Regulation as well as about your contact person in matters regarding data protection is available on the financial administration's general information letter. This information letter is available on www.finanzamt.de (under the column "Data privacy") or you can get it from your tax office.

This is to certify that the foregoing pages are a true and correct translation of the German Original Copy



(Frank Herder)
Licensed Court Translator



Solingen, this 18th Day of February 2019

Caisley
07. Jan. 2019

Finanzamt
Borken



Finanzverwaltung NRW 46322 Borken

Erl.

Auskunft erteilt
Herr Gerards

Firma
Caisley International GmbH
Harderhook 31
46395 Bocholt

Durchwahl-Nr.
02861 938-2242

Zimmer
245

Steuernummer / Aktenzeichen
307/5749/0243 VBZ 33

Datum
04.01.2019

Bescheinigung in Steuersachen

Nur **gültig** im Original, ohne Streichungen, **mit** Unterschrift und Dienstsiegel oder als beglaubigte Fotokopie

A. Angaben zur Person

Name, Wohnort, Firmensitz, Straße, Hausnummer Caisley International GmbH, 46395 Bocholt, Harderhook 31	
Steuernummer/Identifikationsnummer 307/5749/0243/	
Geburtsdatum, Gründungsdatum	Rechtsform GmbH

B. Angaben zu den steuerlichen Verhältnissen

1. Hiermit wird bescheinigt, dass die oben bezeichnete Antragstellerin hier

- nicht geführt wird. seit 1989 mit folgenden Steuerarten geführt wird:
- Einkommensteuer Umsatzsteuer Gewerbesteuer Lohnsteuer Körperschaftsteuer

weitere lohnsteuerliche Betriebsstätte in folgendem Finanzamt:

2. Zur Zeit bestehen

- keine fälligen Steuerrückstände.
- Steuerrückstände in Höhe von: _____ €
- davon aus persönlichen Billigkeitsgründen gestundet: _____ €
- davon rückständige Lohnsteuer in Höhe von _____ €

3. Zahlungen erfolgten in den letzten 24 Monaten

- immer oder überwiegend pünktlich.
- überwiegend oder immer verspätet.



Dienstgebäude
Nordring 184
46325 Borken
www.finanzverwaltung.nrw.de

Telefon
02861 938-0
Telefax
0800 10092675307

Allgemeine Sprechzeiten:
Mo-Fr 08.30 - 12.00 Uhr und nach Vereinbarung

BBk Dortmund
IBAN DE96 4400 0000 0040 0015 14
BIC MARKDEF1440

Bürgerbüro
Mo - Mi 07.30 - 15.00 Uhr
Do 07.30 - 17.30 Uhr und Fr 07.30 - 12.00 Uhr

Öffentliche Verkehrsmittel: Buslinie: R 51 - Haltestelle Steingrube/Finanzamt Buslinie: S 75 - Haltestelle Nordring

Bescheinigung in Steuersachen
Nr. 605/027-V2001 (12.18) OFD NRW St 31

Seite 1 von 2

-16-

B. (Fortsetzung:) Angaben zu den steuerlichen Verhältnissen

- 4. Steuererklärungen wurden in den letzten 24 Monaten
 - immer oder überwiegend pünktlich eingereicht.
 - überwiegend oder immer verspätet oder pflichtwidrig nicht eingereicht.

- 5. In den letzten 36 Monaten wurden Strafen wegen Steuerstraftaten oder Geldbußen wegen Steuerordnungswidrigkeiten rechtskräftig festgesetzt: nein

- 6. In den letzten 36 Monaten wurden Verfahren wegen Steuerstraftaten oder Steuerordnungswidrigkeiten eingeleitet und der Antragstellerin mitgeteilt: nein

- 7. Das Finanzamt hat
 - hinsichtlich der Antragstellerin ein Insolvenzverfahren beantragt oder von entsprechenden Anträgen Dritter Kenntnis erlangt.
 - die Antragstellerin zur Abgabe einer Vermögensauskunft aufgefordert.

- 8. Sonstiges
 - Es handelt sich um eine Neugründung, dem Finanzamt liegen daher noch keine Erkenntnisse über das steuerliche Verhalten der Antragstellerin vor.
 - Es liegen folgende abweichende Zuständigkeiten vor:
 - gesonderte Feststellung nach § 180 Absatz 1 Satz 1 Nr. 2 Buchstabe b AO
 - umsatzsteuerliche Organshaft

- 9. Weitere Angaben

Die Unternehmereigenschaft nach § 2 UStG wird mit dieser Bescheinigung nicht bestätigt.

Die Bescheinigung berücksichtigt lediglich die Fakten zum Zeitpunkt der Ausstellung der Bescheinigung

Im Auftrag

Gerards
Gerards

(Siegel)



Datenschutzhinweis:

Informationen über die Verarbeitung personenbezogener Daten in der Steuerverwaltung und über Ihre Rechte nach der Datenschutz-Grundverordnung sowie über Ihre Ansprechpartner in Datenschutzfragen entnehmen Sie bitte dem allgemeinen Informationsschreiben der Finanzverwaltung. Dieses Informationsschreiben finden Sie unter www.finanzamt.de (unter der Rubrik „Datenschutz“) oder erhalten Sie bei Ihrem Finanzamt.



H. J. ...
Circular stamp: *Caisley*, HRB 8112, 45500 Borken

Translation from the German Language

AOK

Die Gesundheitskasse

Caisley

07.01.2019

AOK Rheinland/Hamburg 40466 Düsseldorf

AOK Rheinland/Hamburg

Die Gesundheitskasse

Regional Directorate Düsseldorf

Specialist service insurance/premiums

Caisley International GmbH
Harderhook 31
46395 Bocholt

Kasernenstr. 61
40213 Düsseldorf
Telephone: 0211 82250

Your contact person
Selma Divrik

Telephone: 0211 8225 402
Fax: 0211 8225-744
E-mail: selma.divrik@rh.aok.de

Date: 04.01.2019

Dear Sir/Madam

Certificate of good standing

Company number: 32996227

We hereby confirm that there is a premiums account for you and until now you have duly fulfilled your payment obligations with respect to the proven social insurance contributions/charges pursuant to the Expense Compensation Act. There are no arrears on social insurance contributions/charges.

This certificate is valid only in its original version; it contains no confirmation about the completeness and accuracy of the notifications, the statement of contributions and the payment of the premiums. This certificate does not exempt one from liability pursuant to § 28 e para. 2 of the Social Code IV. Release to indeterminate recipients (e.g. online) is not permitted.

Yours sincerely

(Signature)

Selma Divrik

Specialist consultant: Premiums

AOK-Clarimedis ServiceCenter: 0800 0 326326 – 24-hour service – www.aok.de.rh

Office hours:

Monday to Friday 0800-1800 hrs
Saturday 0900-1200 hrs

Bank account details:

Commerzbank AG Düsseldorf	Hamburger Sparkasse
BIC COBADEFFXXX	BIC HASPDEHHXXX
IBAN DE24 3004 0000 0180 3840 00	IBAN DE31 2005 0550 1237 1234 09

Institution code 104212505

This is to certify that the foregoing pages are a true and correct translation of the German Original Copy



(Frank Herder)



Licensed Court Translator

Solingen, this 18th Day of February 2019



Caisley
07. Jan. 2019

Erh.

AOK Rheinland/Hamburg 40466 Düsseldorf

Caisley International GmbH
Harderhook 31
46395 Bocholt

AOK Rheinland/Hamburg
Die Gesundheitskasse

Regionaldirektion Düsseldorf
Fachservice Versicherung/Beiträge

Kasernenstr. 61
40213 Düsseldorf
Telefon: 0211 8225-0

Ihre Ansprechpartnerin
Selma Divrik

Telefon: 0211 8225-402
Telefax: 0211 8225-744
E-Mail: selma.divrik@rh.aok.de

Datum: 04.01.2019

Unbedenklichkeitsbescheinigung

Betriebsnummer: 32996227

Sehr geehrte Damen und Herren,

wir bescheinigen Ihnen, dass für Sie ein Beitragskonto geführt wird und Sie Ihren Zahlungsverpflichtungen bezüglich der nachgewiesenen Sozialversicherungsbeiträge/Umlagebeträge nach dem Aufwendungsausgleichsgesetz gegenüber unserer Krankenkasse bisher ordnungsgemäß nachgekommen sind. Rückstände an Sozialversicherungsbeiträgen/Umlagebeträgen bestehen nicht.

Diese Bescheinigung ist nur im Original gültig; sie enthält keine Bestätigung über die Vollständigkeit und Richtigkeit der Meldungen, der Beitragsnachweise und der Beitragszahlungen. Durch diese Bescheinigung erfolgt keine Entlassung aus der Haftung nach § 28 e Abs. 2 SGB IV. Eine Veröffentlichung für einen unbestimmten Empfängerkreis (z. B. im Internet) ist nicht erlaubt.

Mit freundlichen Grüßen

Selma Divrik
Fachberaterin Beiträge

AOK-Clarimedix ServiceCenter: 0800 0 326326 – 24-Stunden-Service – www.aok.de/rh

Öffnungszeiten:
Montag bis Freitag
Samstag

08:00 bis 18:00 Uhr
09:00 bis 12:00 Uhr

Bankverbindung:
Commerzbank AG Düsseldorf
BIC COBADEFFXXX
IBAN DE24 3004 0000 0180 3840 00

Hamburger Sparkasse
BIC HASPDEHHXXX
IBAN DE31 2005 0550 1237 1234 09

Institutionskennzeichen 104212505

bswp | Büdding ter Steege Weiß • Philipp-Reis-Straße 4 • D-46397 Bocholt

personal/confidential

Caisley International GmbH
Mr Henrik Winkeler
Harderhook 31
46395 Bocholt

Reference number:10281 / fb / js

Auditor Tax Consultant Graduate
Business Administrator First name
last name
+49 2871 21190
f.buedding@bswp.de

08.01.2019

Dear Mr Winkeler

Certificate for presentation at the Agrarmarkt Austria

We confirm the following for presentation at the Agrarmarkt Austria, Dresdner Straße 70, A-1200 Vienna:

1. We, more specifically the predecessor company WEISS UND PARTNER GMBH audit firm/tax consultancy firm, whose managing directors correspond with the partners of bswp Büdding ter Steege Weiße PartGmbB audit firm/tax consultancy firm, have been commissioned for years by Caisley International GmbH to audit the annual accounts. We have never detected a breach against legal provisions which could make one question the general professional reliability of the company or the management. This particularly includes matters related to social security and tax.
2. The company is not over-indebted. It has sufficient capital and it is generating stable profits.
3. We, more specifically the predecessor company WEISS UND PARTNER GMBH audit firm/tax consultancy firm have never had to qualify or even withhold the audit certificate. We, more specifically the predecessor company WEISS UND PARTNER GMBH audit firm/tax consultancy firm have always issued an unqualified audit certificate throughout the years.

Yours sincerely

(Signature)
Felix Büdding

(Stamp)

A member of
Nexia
International
bswp Büdding ter Steege Weiß PartGmbB
Audit Firm
Tax Consultancy Firm
Registry Court Essen PR 4330
Headquarters: Bocholt

Philipp-Reis-Straße 4
46397 Bocholt
Telephone 02871 21 19
0
Fax 02871 21 19 70
mail@bswp.de

Partners:
Dipl.-Kfm. Felix Büdding•Auditor•Tax consultant
Dipl.-Kfm. Frank ter Steege•Auditor•Tax consultant
Dipl.-Kfm. Paul-Bernhard Weiß•Auditor•Tax consultant

This is to certify that the foregoing page is a true and correct translation of the German Original Copy

Solingen, this 18th Day of February 2019



bswp | Büdding ter Steege Weiß · Philipp-Reis-Straße 4 · D-46397 Bocholt

persönlich/vertraulich

Caisley International GmbH
Herrn Henrik Winkeler
Harderhook 31
46395 Bocholt

Az.: 10281 / fb / js

WP StB Dipl.-Kfm. Vorname Name
+49 2871 2119 0
f.buedding@bswp.de

08.01.2019

Bescheinigung zur Vorlage beim Agrarmarkt Austria

Sehr geehrter Herr Winkeler,

zur Vorlage beim Agrarmarkt Austria, Dresdner Straße 70, A - 1200 Wien, bestätigen wir Ihnen folgendes:

1. Wir bzw. die Vorgängergesellschaft WEISS UND PARTNER GMBH Wirtschaftsprüfungsgesellschaft Steuerberatungsgesellschaft, deren Geschäftsführer mit den Partnern der bswp Büdding ter Steege Weiß PartGmbH Wirtschaftsprüfungsgesellschaft Steuerberatungsgesellschaft übereinstimmen, sind seit Jahren von der Caisley International GmbH beauftragt, die Jahresabschlüsse zu prüfen. Wir haben niemals einen Verstoß gegen gesetzliche Vorschriften festgestellt, der die allgemeine berufliche Zuverlässigkeit der Gesellschaft oder der Geschäftsleitung in Frage stellen könnte. Dazu gehören insbesondere auch sozialversicherungsrechtliche und steuerliche Angelegenheiten.
2. Die Gesellschaft ist nicht überschuldet. Sie ist mit einem ausreichenden Kapital ausgestattet, sie erwirtschaftet stabile Gewinne.
3. Wir bzw. die Vorgängergesellschaft WEISS UND PARTNER GMBH Wirtschaftsprüfungsgesellschaft Steuerberatungsgesellschaft haben noch nie den Bestätigungsvermerk einschränken oder gar versagen müssen. Wir bzw. die Vorgängergesellschaft WEISS UND PARTNER GMBH Wirtschaftsprüfungsgesellschaft Steuerberatungsgesellschaft haben in allen Jahren immer einen uneingeschränkten Bestätigungsvermerk erteilt.

Mit freundlichen Grüßen


Felix Büdding





Negative Clearance

Information from the Münster Insolvency Court databank

Name: Caisley International GmbH
Address: Harderhook 31, 46395 Bocholt
Register number: HRB 8113
Registry court: Coesfeld District Court

With regards to the above-mentioned corporate body, there are no proceedings pending at the local insolvency court as of 14.01.2019, 11:51 a.m.

(Signature)
Fehmer
Judicial Officer

(Stamp: Münster District Court)

This is to certify that the foregoing page is a true and correct translation of the German Original Copy

Solingen, this 18th Day of February 2019





14.01.2019
Seite 1 von 1

Negativattest

Auskunft aus der Datenbank des Insolvenzgerichts Münster

Name: Caisley International GmbH
Anschrift: Harderhook 31, 46395 Bocholt
Registernummer: HRB 8113
Registergericht: Amtsgericht Coesfeld

Bezüglich der oben genannten juristischen Person sind zum 14.01.2019, 11:51 Uhr keine Verfahren bei dem hiesigen Insolvenzgericht anhängig.

Fehmer
Justizbeschäftigte



Formularul standard al Documentului Unic de Achiziții European

Documentul Unic de Achiziții European, în continuare DUAE este o declarație pe proprie răspundere care prezintă dovezi preliminare și înlocuiește certificatele eliberate de autoritățile publice sau de părți terțe. El este disponibil în limba de stat și engleză și este utilizat ca dovadă preliminară a îndeplinirii condițiilor necesare în cadrul procedurilor de achiziții publice în Republica Moldova. Datorită DUAE, ofertanții nu mai trebuie să furnizeze probe documentare complete și în formate diferite, astfel cum se utilizau anterior în procedurile de achiziții publice, ceea ce reprezintă o simplificare semnificativă a accesului la oportunitățile de ofertare transfrontaliere. Începând din octombrie 2018, DUAE va fi disponibil exclusiv în formă electronică. Ministerul Finanțelor pune la dispoziție serviciu web gratuit pentru cumpărători, ofertanți și alte părți interesate de completare DUAE în format electronic. Formularul online poate fi completat, imprimat și apoi trimis cumpărătorului împreună cu restul ofertei. Dacă procedura se desfășoară electronic, DUAE poate fi exportat, stocat și depus în format electronic. Un DUAE depus în cadrul unei proceduri de achiziții publice anterioare poate fi reutilizat, cu condiția că informațiile să rămână corecte. Ofertanții pot fi excluși din procedura de achiziții publice sau pot fi urmăriți în justiție dacă informațiile din DUAE sunt false, nedivulgate sau nu pot fi susținute prin documente justificative.

Partea I – Informații privind procedura de achiziții publice și autoritatea contractantă sau entitatea contractantă

Partea I a formularului DUAE se completează online doar de către autoritatea contractantă sau entitatea contractantă și include următoarele informații:

A.	Informații despre publicare	
	Numărul anunțului/invitației publicată în BAP, și după caz numărul anunțului în J.O	Nr.: ocds-b3wdp1-MD-1549653900063
B.	Identitatea achizitorului	
	Denumirea oficială	IP Serviciul Tehnologia Informației și Securitate Cibernetică
	Țara	Republica Moldova
	Număr unic de identificare a autorității	IDNO 1003600096694
C.	Informații privind procedura de achiziții publice	
	Tipul procedurii	Achiziție publică de bunuri prin Licitatie deschisă
	Numărul unic de identificare al procedurii de achiziție	Atribuit de SIA RSAP MTender
	Data deschiderii ofertelor	26 februarie 2018 ora 14:00
	Denumirea obiectului de achiziții	Crotalii pentru animale
	Scurtă descrie	Cod CPV 03340000-6

Partea II – Informații referitoare la operatorul economic

Partea II a formularului DUAE se completează online doar de către operatorii economici și include următoarele informații.

A.	Informații referitoare la operatorul economic	
	Denumire	Răspuns CAISLEY International GmbH
	Adresa juridică:	

	Cod poștal	46395
	Oraș	Bocholt
	Țara	Germany
	Adresa web	www.caisley.de
	e-mail	info@caisley.de
	Telefon	+49.2871.239390
	Persoana sau persoanele de contact	Henrik Winkeler
	Număr unic de identificare (IDNO/IDNP), după caz	HRB 8113
	Numărul cod TVA – dacă este cazul	DE124160724
	Statutul juridic al operatorului economic	GmbH Reinhard
	Numele fondatorilor	Nehls
	Operatorul economic este:	Se selectează de către operatorii economici <input type="checkbox"/> Da <input checked="" type="checkbox"/> Nu <input checked="" type="checkbox"/> Da <input type="checkbox"/> Nu
	<p>Numai în cazul în care achiziția este rezervată: operatorul economic este un atelier protejat sau o ”întreprindere socială,, sau va asigura executarea contractului în contextul programelor de angajare protejată?</p> <p>- care este procentul corespunzător de lucrători cu dizabilități sau defavorizați?</p> <p>- Dacă este necesar, vă rugăm să specificați cărei sau căror categorii de lucrători cu dizabilități sau defavorizați le aparțin angajații în cauză?</p>	<p>Se selectează de către operatorii economici</p> <p><input type="checkbox"/> Da <input type="checkbox"/> Nu</p> <p>Se completează text </p> <p>Se completează text </p>
	<p>Dacă este cazul, activitatea antreprenorială a operatorului economic este înregistrată sau deține o certificare echivalentă în cadrul unui sistem național privind activitățile economice pe care le prestează?</p> <p>- Vă rugăm să furnizați actele de constituire, dacă este cazul:</p> <p>- Dacă actele de constituire sau de certificare sunt disponibile în format electronic, vă rugăm să precizați:</p> <p>- Vă rugăm să furnizați autorizațiile pe care se bazează activitățile comerciale, dacă este cazul:</p> <p>- Înregistrarea sau certificarea acoperă toate criteriile de selecție impuse?</p>	<p>Se selectează de către operatorii economici</p> <p><input type="checkbox"/> Da <input type="checkbox"/> Nu</p> <p>Se completează text <input type="checkbox"/> Da <input type="checkbox"/> Nu</p> <p><input type="checkbox"/> Da <input type="checkbox"/> Nu</p> <p>Se completează text </p>

		<input type="checkbox"/> Da <input type="checkbox"/> Nu <input type="checkbox"/> Da <input type="checkbox"/> Nu
	<i>Vă rugăm să completați informațiile lipsă în partea II secțiunea A,B,C sau D, după caz, NUMAI dacă se solicită acest lucru în anunțul sau în documentele achiziției relevante</i>	
	<p>Operatorul economic va fi în măsură să furnizeze un certificat cu privire la plata contribuțiilor la asigurările sociale și plata impozitelor sau să furnizeze informații care să îi permită autorității contractante sau entității contractante să obțină acest certificat direct prin accesarea unei baze de date naționale în orice stat, disponibilă în mod gratuit?</p> <p>- Dacă documentele relevante sunt disponibile în format electronic, vă rugăm să precizați: see: tax attestation of Finanzamt Borken of 04.01.2019, certificate of non-objection of AOK Rheinland Hamburg of 04.01.2019</p>	<p>Se selectează de către operatorii economici</p> <p><input checked="" type="checkbox"/> Da <input type="checkbox"/> Nu</p> <p>se completează de către operatorul economic: adresa de internet, autoritatea emitentă sau organismul emitent. Referința exactă a documentației.</p>
	<p>Operatorul economic participă la procedura de achiziții publice împreună cu alții?</p>	<p>Se selectează de către operatorii economici</p> <p><input type="checkbox"/> Da <input checked="" type="checkbox"/> Nu</p>
	<i>Vă rugăm să vă asigurați că celelalte părți în cauză prezintă un formular DUAE separat.</i>	
	<p>Vă rugăm să precizați rolul operatorului economic în cadrul grupului (lider, responsabil cu îndeplinirea unor sarcini specifice, etc):</p>	<p>Se completează text </p>
	<p>Vă rugăm să îi identificați pe ceilalți operatori economici care mai participă la procedura de achiziții publice:</p>	<p>Se completează text </p>
	<p>Dacă este cazul, denumirea grupului participant:</p>	<p>Se completează text </p>
	<p>Dacă este cazul, se indică lotul (loturile) pentru care operatorul economic dorește să depună oferte:</p>	<p>Se completează text </p>
B.	Informații privind reprezentanții operatorului economic	
	<p><i>Dacă este cazul, vă rugăm să indicați numele și adresa (adresele) persoanei (persoanelor) împuternicită (împuternicite) să îl reprezinte pe operatorul economic în scopurile acestei proceduri de achiziții publice:</i></p>	
	<p>Prenume Henrik</p>	<p>Se completează</p>
	<p>Nume Winkeler</p>	

	Data nașterii	28.08.1973	de către operatorul economic: text
	Locul nașterii	Herford, Germany	
	Strada și numărul	Kaethe-Kollwitz-Strasse 34	
	Cod poștal	46399	
	Oraș	Bocholt	
	Țară	Germany	
	--		
	e-mail	h.winkeler@caisley.de	
	Telefon	+49.2871.239390	
	Funcție / acționând în calitate de	Managing Director	
	<i>Dacă este cazul, vă rugăm să furnizați informații detaliate privind reprezentarea (formele, amploarea, scopul acesteia...)</i>		
C.	Informații privind utilizarea capacităților altor entități		
	Operatorul economic utilizează capacitățile altor entități pentru a satisface criteriile de selecție prevăzute în partea IV, precum și (dacă este cazul) criteriile și regulile menționate în partea V de mai jos?		Se selectează de către operatorii economici <input type="checkbox"/> Da <input checked="" type="checkbox"/> Nu
	<i>Vă rugăm să prezentați un formular DUAE separat care să cuprindă informațiile solicitate în secțiunile A și B din această parte și din partea III pentru fiecare dintre entitățile în cauză, completat și semnat în mod corespunzător de entitățile în cauză. Vă atragem atenția asupra faptului că trebuie incluși, de asemenea, tehnicienii sau organismele tehnice implicate, indiferent dacă fac sau nu parte din întreprinderea operatorului economic, în special cei care răspund de controlul calității și, în cazul contractelor de achiziții publice de lucrări, tehnicienii sau organismele tehnice la care poate face apel operatorul economic în vederea executării lucrărilor. în măsura în care este relevant pentru capacitatea (capacitățile) specifică (specifice) utilizată (utilizate) de operatorul economic, vă rugăm să includeți informațiile prevăzute în părțile IV și V pentru fiecare dintre entitățile în cauză.</i>		
D.	Informații privind subcontractanții pe ale căror capacități operatorul economic nu se bazează		Răspuns Se completează de către operatorii economici text
	<i>Secțiunea se completează numai în cazul în care această informație este solicitată în mod explicit de către autoritatea contractantă sau entitatea contractantă.</i>		
	Operatorul economic intenționează să subcontracteze vreo parte din contract unor terți?		Se selectează de către operatorii economici <input type="checkbox"/> Da <input checked="" type="checkbox"/> Nu
	Dacă da și în măsura în care se cunoaște, vă rugăm să enumerați subcontractanții propuși.		
	<i>Dacă autoritatea contractantă sau entitatea contractantă solicită în mod explicit aceste informații, în plus față de informațiile din partea I, vă rugăm să furnizați informațiile solicitate în secțiunile A și B din această parte și din partea III pentru fiecare dintre subcontractanții (categoriile de subcontractanți) în cauză.</i>		

Partea III – Motive de excludere

Partea III a formularului DUAE se completează online de către autoritatea contractantă, entitatea contractantă și operatorii economici.

A.	Motive referitoare la condamnările penale	
	<p>Art.18 din Legea nr.131 din 03.07.2015 stabilește următoarele motive de excludere.</p> <p><i>Al. (1) Autoritatea contractantă are obligația de a exclude din procedura de atribuire a contractului de achiziții publice orice ofertant sau candidat despre care are cunoștință că, în ultimii 5 ani, a fost condamnat, prin hotărârea definitivă a unei instanțe judecătorești, pentru participare la activități ale unei organizații sau grupări criminale, pentru corupție, pentru fraudă și/sau pentru spălare de bani, pentru infracțiuni de terorism sau infracțiuni legate de activități teroriste, finanțarea terorismului, exploatarea prin muncă a copiilor și alte forme de trafic de persoane.</i></p> <p><i>Al. (1¹) Obligația de excludere a ofertantului / candidatului se aplică și în cazul în care persoana condamnată printr-o hotărâre definitivă a unei instanțe de judecată pentru infracțiunile prevăzute la alin.1 este membru al organismului de administrare, de conducere sau de control în cadrul acestuia.</i></p> <p><i>Al. (6) Orice ofertant/candidat care se află în una din situațiile menționate la art.18 alin. (1) și (2) din legea 131/03.07.2018 privind achizițiile publice, furnizează dovezi care să arate că măsurile luate de el sânt suficiente pentru a demonstra fiabilitatea sa, în pofida existenței unui motiv de excludere. Dacă autoritatea contractantă consideră astfel de dovezi suficiente, ofertantul/candidatul în cauză nu este exclus de la procedura de achiziție publică.</i></p> <p><i>Al. (7) În sensul alin. (6), ofertantul/candidatul dovedește că a plătit sau s-a angajat să plătească o compensație în ceea ce privește eventualele prejudicii cauzate prin infracțiune sau prin abateri, că a clarificat complet faptele și împrejurările cooperând activ cu autoritățile abilitate să investigheze cazul și că a întreprins măsuri concrete la nivel tehnic, organizațional și în materie de personal, adecvate pentru a preveni orice noi infracțiuni sau abateri.</i></p> <p><i>Al. (8) Măsurile întreprinse de către ofertant/candidat în sensul alin. (7) sânt evaluate ținând seama de gravitatea și circumstanțele particulare ale infracțiunii sau ale abaterii. În cazul în care consideră că măsurile întreprinse sânt insuficiente, autoritatea contractantă informează ofertantul/candidatul despre motivele excluderii.</i></p> <p><i>Al. (9) Un ofertant/candidat care a fost exclus prin hotărâre definitivă a unei instanțe de judecată de la participarea la procedurile de achiziții publice nu are dreptul să facă uz de posibilitatea prevăzută la alin. (6)–(8).</i></p>	
	Participare la o organizație criminală <i>Text</i>	<input type="checkbox"/> Da <input checked="" type="checkbox"/> Nu
	Corupție <i>Text</i>	<input type="checkbox"/> Da <input checked="" type="checkbox"/> Nu
	Fraude <i>Text</i>	<input type="checkbox"/> Da <input checked="" type="checkbox"/> Nu
	Infracțiuni teroriste sau infracțiuni legate de activitățile teroriste <i>Text</i>	<input type="checkbox"/> Da <input checked="" type="checkbox"/> Nu
	Spălare de bani sau finanțarea terorismului <i>Text</i>	<input type="checkbox"/> Da <input checked="" type="checkbox"/> Nu
	Exploatarea prin muncă a copiilor și alte forme de trafic de persoane <i>Text</i>	<input type="checkbox"/> Da <input checked="" type="checkbox"/> Nu
B.	Motive legate de plata impozitelor sau a contribuțiilor la asigurările sociale	
	<p>Art.18 din Legea nr.131 din 03.07.2015 stabilește următoarele motive de excludere.</p> <p><i>Al. (2) Autoritatea contractantă are obligația de a exclude din procedura de atribuire a contractului de achiziții publice orice ofertant sau candidat care se află în oricare dintre următoarele situații:</i></p> <p><i>Lit. (b) nu și-a îndeplinit obligațiile de plată a impozitelor, taxelor și contribuțiilor de asigurări sociale în conformitate cu prevederile legale în vigoare în Republica Moldova sau în țara în care este stabilit.</i></p> <p><i>Al. (2²) Prin derogare de la alin.2 lit. b), ofertantul/candidatul nu este exclus din procedura de atribuire dacă beneficiază, în condițiile legii, de eşalonarea obligațiilor de plată a impozitelor, taxelor și contribuțiilor de asigurări sociale ori de alte facilități în vederea plății acestora, inclusiv a majorărilor de întârziere (penalităților) și/sau a amenzilor.</i></p>	

	Plata impozitelor text	<input type="checkbox"/> Da <input checked="" type="checkbox"/> <input type="checkbox"/> Nu
	Această încălcare a obligațiilor a fost stabilită prin alte mijloace decât o hotărâre judecătorească sau administrativă?	<input type="checkbox"/> Da <input checked="" type="checkbox"/> <input type="checkbox"/> Nu
	În cazul în care această încălcare a obligațiilor a fost stabilită printr-o hotărâre judecătorească sau administrativă, această decizie este definitivă și obligatorie? <i>Vă rugăm să precizați data condamnării</i> <i>În cazul unei condamnări, durată perioadei de excludere, în măsura în care aceasta este stabilită direct în condamnare</i> <i>Descrieți ce mijloace au fost utilizate</i>	<input type="checkbox"/> Da <input checked="" type="checkbox"/> <input type="checkbox"/> Nu Se completează de către operatorii economici text
	Operatorul economic și-a îndeplinit obligațiile plătind impozitele sau contribuțiile la asigurările sociale datorate sau încheind un aranjament cu caracter obligatoriu în vederea plății acestora, inclusiv, după caz, a eventualelor dobânzi acumulate sau a amenzilor? <i>Vă rugăm să le descrieți</i> <i>Aceste informații sunt disponibile gratuit pentru autorități, dintr-o bază de date națională?</i>	<input type="checkbox"/> Da <input checked="" type="checkbox"/> <input type="checkbox"/> Nu <input type="checkbox"/> Da <input type="checkbox"/> <input type="checkbox"/> Nu se completează de către operatorul economic: text adresa de internet, autoritatea emitentă sau organismul emitent. Referința exactă a documentației.
	Plata asigurărilor sociale	
	Operatorul economic și-a încălcat obligațiile cu privire la plata contribuțiilor la asigurările sociale atât pe teritoriul Republicii Moldova, cât și în alte state?	
	Această încălcare a obligațiilor a fost stabilită prin alte mijloace decât o hotărâre judecătorească sau administrativă?	<input type="checkbox"/> Da <input checked="" type="checkbox"/> <input type="checkbox"/> Nu
	În cazul în care această încălcare a obligațiilor a fost stabilită printr-o hotărâre judecătorească sau administrativă, această decizie este definitivă și obligatorie? <i>Vă rugăm să precizați data condamnării</i> <i>În cazul unei condamnări, durată perioadei de excludere, în măsura în care aceasta este stabilită direct în condamnare</i> <i>Descrieți ce mijloace au fost utilizate</i>	<input type="checkbox"/> Da <input checked="" type="checkbox"/> <input type="checkbox"/> Nu
	Operatorul economic și-a îndeplinit obligațiile plătind impozitele sau contribuțiile la asigurările sociale datorate sau încheind un aranjament cu caracter obligatoriu în vederea plății acestora, inclusiv, după caz, a eventualelor dobânzi acumulate sau a amenzilor? <i>Vă rugăm să le descrieți</i> <i>Aceste informații sunt disponibile gratuit pentru autorități, dintr-o bază de date națională ?</i>	<input type="checkbox"/> Da <input checked="" type="checkbox"/> <input type="checkbox"/> Nu se completează de către operatorul economic: text adresa de internet, autoritatea emitentă sau organismul emitent. Referința exactă a documentației.

C.	Includerea în lista de interdicție a operatorilor economici.	
	Este operatorul economic înscris în lista de interdicție a operatorilor economici în conformitate cu Articolul 18 al. e) din Legea nr.131 din 03.07.2015 privind achizițiile publice.	<input type="checkbox"/> Da <input checked="" type="checkbox"/> <input type="checkbox"/> Nu
D.	Motive legate de insolvență, conflicte de interese sau abateri profesionale	
	Art.18 al. 2 din Legea nr.131 din 03.07.2015 stabilește următoarele motive de excludere. <i>lit. (a) se află în proces de insolvabilitate ca urmare a hotărârii judecătorești;</i> <i>lit. (c) a fost condamnat, în ultimii 3 ani, prin hotărârea definitivă a unei instanțe judecătorești, pentru o faptă care a adus atingere eticii profesionale sau pentru comiterea unei greșeli în materie profesională;</i> <i>lit. (d) a prezentat informații false sau nu a prezentat informațiile solicitate de către autoritatea contractantă în scopul demonstrării îndeplinirii criteriilor de calificare și selecție;</i> <i>lit. (d¹) a încălcat obligațiile aplicabile în domeniul mediului, muncii și asigurărilor sociale, în cazul în care autoritatea contractantă demonstrează, prin orice mijloace adecvate, acest fapt;</i> <i>lit. (d²) se face vinovat de o abatere profesională, care îi pune la îndoială integritatea, în cazul în care autoritatea contractantă demonstrează, prin orice mijloace adecvate, acest fapt;</i> <i>lit.(d³) a încheiat cu alți operatori economici acorduri care vizează denaturarea concurenței, în cazul în care acest fapt se constată prin decizie a organului abilitat în acest sens;</i> <i>lit. (d⁴) se află într-o situație de conflict de interese care nu poate fi remediată în mod efectiv prin măsurile prevăzute la art. 74.</i>	
	În măsura cunoștințelor sale, operatorul economic și-a încălcat obligațiile în domeniul mediului ?	<input type="checkbox"/> Da <input checked="" type="checkbox"/> <input type="checkbox"/> Nu
	Ați luat măsuri pentru a demonstra fiabilitatea dumneavoastră (autocorectare) <i>Vă rugăm să le descrieți</i>	<input type="checkbox"/> Da <input checked="" type="checkbox"/> <input type="checkbox"/> Nu
	În măsura cunoștințelor sale, operatorul economic și-a încălcat obligațiile în domeniul social?	<input type="checkbox"/> Da <input checked="" type="checkbox"/> <input type="checkbox"/> Nu
	Ați luat măsuri pentru a demonstra fiabilitatea dumneavoastră (autocorectare) <i>Vă rugăm să le descrieți</i>	<input type="checkbox"/> Da <input checked="" type="checkbox"/> <input type="checkbox"/> Nu
	În măsura cunoștințelor sale, operatorul economic și-a încălcat obligațiile în domeniul muncii?	<input type="checkbox"/> Da <input checked="" type="checkbox"/> <input type="checkbox"/> Nu
	Ați luat măsuri pentru a demonstra fiabilitatea dumneavoastră (autocorectare) <i>Vă rugăm să le descrieți</i>	<input type="checkbox"/> Da <input checked="" type="checkbox"/> <input type="checkbox"/> Nu
	Falimentul	
	Operatorul economic este în stare de faliment? <i>Vă rugăm să le descrieți</i>	<input type="checkbox"/> Da <input checked="" type="checkbox"/> <input type="checkbox"/> Nu
	<i>Precizați motivele pentru care veți putea fi, totuși, în măsură să executați contractul. Nu este necesar să se furnizeze aceste informații în cazul în care excluderea operatorilor economici în acest caz a devenit obligatorie în temeiul legislației naționale aplicabile, fără nicio posibilitate de derogare atunci când operatorul economic este, totuși în măsură să execute contractul.</i>	
	<i>Aceste informații sunt disponibile gratuit pentru autorități, dintr-o bază de date națională ?</i>	<input type="checkbox"/> Da <input checked="" type="checkbox"/> <input type="checkbox"/> Nu se completează de către operatorul economic: text adresa de internet, autoritatea emitentă sau organismul emitent. Referința exactă a

		documentației.
	Insolvența	
	Operatorul economic este în situație de insolvență sau de lichidare? <i>Vă rugăm să le descrieți</i>	<input type="checkbox"/> Da <input checked="" type="checkbox"/> <input type="checkbox"/> Nu
	<i>Precizați motivele pentru care veți putea fi, totuși, în măsură să executați contractul. Nu este necesar să se furnizeze aceste informații în cazul în care excluderea operatorilor economici în acest caz a devenit obligatorie în temeiul legislației naționale aplicabile, fără nicio posibilitate de derogare atunci când operatorul economic este, totuși în măsură să execute contractul.</i>	
	<i>Aceste informații sunt disponibile gratuit pentru autorități, dintr-o bază de date națională ?</i>	<input type="checkbox"/> Da <input checked="" type="checkbox"/> <input type="checkbox"/> Nu se completează de către operatorul economic: text adresa de internet, autoritatea emitentă sau organismul emitent. Referința exactă a documentației.
	Faliment	
	Operatorul economic se află într-o situație similară, cum ar fi falimentul, care rezultă dintr-o procedură similară din legislațiile sau reglementările naționale? <i>Vă rugăm să le descrieți</i>	<input type="checkbox"/> Da <input checked="" type="checkbox"/> <input type="checkbox"/> Nu
	<i>Precizați motivele pentru care veți putea fi, totuși, în măsură să executați contractul. Nu este necesar să se furnizeze aceste informații în cazul în care excluderea operatorilor economici în acest caz a devenit obligatorie în temeiul legislației naționale aplicabile, fără nicio posibilitate de derogare atunci când operatorul economic este, totuși în măsură să execute contractul.</i>	
	<i>Aceste informații sunt disponibile gratuit pentru autorități, dintr-o bază de date națională ?</i>	<input type="checkbox"/> Da <input checked="" type="checkbox"/> <input type="checkbox"/> Nu se completează de către operatorul economic: adresa de internet, autoritatea emitentă sau organismul emitent. Referința exactă a documentației.
	Active administrate de lichidator	
	Activele operatorului economic sunt administrate de un lichidator sau de o instanță? <i>Vă rugăm să le descrieți</i>	<input type="checkbox"/> Da <input checked="" type="checkbox"/> <input type="checkbox"/> Nu
	<i>Precizați motivele pentru care veți putea fi, totuși, în măsură să executați contractul. Nu este necesar să se furnizeze aceste informații în cazul în care excluderea operatorilor economici în acest caz a devenit obligatorie în temeiul legislației naționale aplicabile, fără nicio posibilitate de derogare atunci când operatorul economic este, totuși în măsură să execute contractul.</i>	
	<i>Aceste informații sunt disponibile gratuit pentru autorități, dintr-o bază de date națională ?</i>	<input type="checkbox"/> Da <input checked="" type="checkbox"/> <input type="checkbox"/> Nu se completează de către operatorul economic: text adresa de internet, autoritatea emitentă sau organismul

		emitent. Referința exactă a documentației.
	Activitățile economice sunt suspendate	
	Activitățile economice ale operatorului economic sunt suspendate? <i>Vă rugăm să le descrieți</i>	<input type="checkbox"/> Da <input checked="" type="checkbox"/> <input type="checkbox"/> Nu
	<i>Precizați motivele pentru care veți putea fi, totuși, în măsură să executați contractul. Nu este necesar să se furnizeze aceste informații în cazul în care excluderea operatorilor economici în acest caz a devenit obligatorie în temeiul legislației naționale aplicabile, fără nicio posibilitate de derogare atunci când operatorul economic este, totuși în măsură să execute contractul.</i>	
	<i>Aceste informații sunt disponibile gratuit pentru autorități, dintr-o bază de date națională ?</i>	<input type="checkbox"/> Da <input checked="" type="checkbox"/> <input type="checkbox"/> Nu se completează de către operatorul economic: text adresa de internet, autoritatea emitentă sau organismul emitent. Referința exactă a documentației.
	Acorduri cu alți operatori economici care vizează denaturarea concurenței	
	Operatorul economic a încheiat acorduri cu alți operatori economici care au ca obiect denaturarea concurenței? <i>Vă rugăm să le descrieți</i>	<input type="checkbox"/> Da <input checked="" type="checkbox"/> <input type="checkbox"/> Nu
	<i>Precizați motivele pentru care veți putea fi, totuși, în măsură să executați contractul. Nu este necesar să se furnizeze aceste informații în cazul în care excluderea operatorilor economici în acest caz a devenit obligatorie în temeiul legislației naționale aplicabile, fără nicio posibilitate de derogare atunci când operatorul economic este, totuși în măsură să execute contractul.</i>	
	Ați luat măsuri pentru a demonstra fiabilitatea dumneavoastră (autocorectare) <i>Vă rugăm să le descrieți</i>	<input type="checkbox"/> Da <input checked="" type="checkbox"/> <input type="checkbox"/> Nu
	Conflict de interese care decurge din participarea la procedura de achiziții publice.	
	Operatorul economic are cunoștința de vreun conflict de interese, astfel cum se precizează în legislația națională, anunțul relevant sau documentele achiziției, care decurge din participarea sa la procedura de achiziții publice? <i>Vă rugăm să le descrieți</i>	<input type="checkbox"/> Da <input checked="" type="checkbox"/> <input type="checkbox"/> Nu
	Implicare directă sau indirectă în pregătirea acestei proceduri de achiziții publice	
	Operatorul economic sau o întreprindere care are legături cu acesta a oferit consultanță autorității contractante sau entității contractante sau a participat în orice alt mod la pregătirea procedurii de achiziții publice? <i>Vă rugăm să le descrieți</i>	<input type="checkbox"/> Da <input checked="" type="checkbox"/> <input type="checkbox"/> Nu
	Încetare anticipată, daune-interese sau alte sancțiuni comparabile	
	Operatorul economic s-a aflat într-o situație în care un contract de achiziții publice anterior, un contract	<input type="checkbox"/> Da <input checked="" type="checkbox"/> <input type="checkbox"/> Nu

	<p>anterior încheiat cu o entitate contractantă sau un contract de concesiune anterior a fost realizat anticipat sau au fost impuse daune-interese sau alte sancțiuni comparabile în legătură cu respectivul contract anterior: <i>Vă rugăm să descrieți</i></p>	
	<p>Ați luat măsuri pentru a demonstra fiabilitatea dumneavoastră (autocorectare) <i>Vă rugăm să le descrieți</i></p>	<input type="checkbox"/> Da <input checked="" type="checkbox"/> Nu
	<p>Vinovat de interpretare eronată, nedivulgare de informații, incapacitate de a furniza documentele necesare și obținere de informații confidențiale referitoare la această procedură</p>	
	<p>Operatorul economic s-a aflat într-una dintre situațiile următoare:</p> <p>a) Nu s-a făcut grav vinovat de declarații false la furnizarea informațiilor necesare pentru verificarea absenței motivelor de excludere sau a îndeplinirii criteriilor de selecție;</p> <p>b) A ascuns astfel de informații;</p> <p>c) Nu a fost în măsură să furnizeze, fără întârziere, documentele justificative solicitate de autoritatea contractantă sau de entitatea contractantă, și</p> <p>d) A încercat să influențeze în mod nepermis procesul decizional al autorității contractante sau entității contractante, să obțină informații confidențiale care i-ar putea conferi avantaje necuvenite în cadrul procedurii de achiziții publice sau că a furnizat din neglijență informații false care pot avea o influență semnificativă asupra deciziilor privind excluderea, selecția și atribuirea?</p>	<input type="checkbox"/> Da <input checked="" type="checkbox"/> Nu
	<p>Art.18 din Legea nr.131 din 03.07.2015 prevede: <i>Al. (3) Autoritatea contractantă extrage informația necesară pentru constatarea existenței sau inexistenței circumstanțelor descrise la alin. (1) și (2) din bazele de date disponibile ale autorităților publice sau ale părților terțe. Dacă acest lucru nu este posibil, autoritatea contractantă are obligația de a accepta ca fiind suficient și relevant pentru demonstrarea faptului că ofertantul/candidatul nu se încadrează în niciuna dintre situațiile prevăzute la alin. (1) și (2) orice document considerat edificator, din acest punct de vedere, în țara de origine sau în țara în care ofertantul/candidatul este stabilit, cum ar fi certificate, caziere juridice sau alte documente echivalente emise de autorități competente din țara respectivă. Al. (4) În ceea ce privește situațiile menționate la alin. (2), în conformitate cu legislația internă a statului în care sânt stabiliți ofertanții/candidații, prevederile alin. (3) se referă la persoane fizice și persoane juridice, inclusiv, după caz, la directori de companii sau la orice persoană cu putere de reprezentare, de decizie ori de control privind ofertantul/candidatul. Al.(5) În cazul în care în țara de origine sau în țara în care este stabilit ofertantul/candidatul nu se emit documente de natura celor specificate la alin. (3) sau aceste documente nu vizează toate situațiile prevăzute la alin. (1) și (2), autoritatea contractantă are obligația de a accepta o declarație pe propria răspundere sau, dacă în țara respectivă nu există prevederi legale referitoare la declarația pe propria răspundere, o declarație autentică dată în fața unui notar, a unei autorități administrative sau judiciare sau a unei asociații profesionale care are competențe în acest sens.</i></p>	

Partea IV – Criteriile de selecție

Partea IV se completează online de către autoritatea contractantă, entitatea contractantă și operatorii economici și include.

A.	Capacitatea de a corespunde cerințelor	
-----------	---	--

	Art.21 din Legea nr.131 din 03.07.2015 stabilește următoarele motive de selecție:	
	Înscrierea într-un registru profesional relevant:	
	Este înscris între-unul dintre registrele profesionale sau comerciale relevante naționale sau din statele membre UE în care este stabilit	<input checked="" type="checkbox"/> Da <input type="checkbox"/> Nu
	<i>Aceste informații sunt disponibile gratuit pentru autorități, dintr-o bază de date națională ?</i> see: extract from Commercial Registry (annex to this quotation)	<input type="checkbox"/> Da <input checked="" type="checkbox"/> <input type="checkbox"/> Nu se completează de către operatorul economic: text adresa de internet, autoritatea emitentă sau organismul emitent. Referința exactă a documentației.
	Este necesară o autorizație pentru ca operatorul economic să poată presta serviciul în cauză în țara unde este stabilit: <i>Vă rugăm să le descrieți</i>	<input type="checkbox"/> Da <input checked="" type="checkbox"/> <input type="checkbox"/> Nu
	<i>Aceste informații sunt disponibile gratuit pentru autorități, dintr-o bază de date națională ?</i>	<input type="checkbox"/> Da <input checked="" type="checkbox"/> <input type="checkbox"/> Nu se completează de către operatorul economic: text adresa de internet, autoritatea emitentă sau organismul emitent. Referința exactă a documentației.
B.	Capacitatea economică și financiară	
	Articolul 20 al.1 din Legea 131 din 03.07.2018 privind achizițiile publice, stabilește că, <i>Demonstrarea capacității economice și financiare a operatorului economic se realizează prin prezentarea unuia sau a mai multor documente relevante, cum ar fi</i>	
	Declarații bancare	
	Operatorul economic va fi în măsură să furnizeze declarații bancare sau, după caz, dovezi privind asigurarea riscului profesional, sau să furnizeze informații care să îi permită autorității contractante sau entității contractante să obțină aceste informații direct prin accesarea unei baze de date naționale în orice stat, disponibilă în mod gratuit? <i>Vă rugăm să le descrieți</i>	<input checked="" type="checkbox"/> Da <input type="checkbox"/> <input type="checkbox"/> Nu
	<i>Aceste informații sunt disponibile gratuit pentru autorități, dintr-o bază de date națională ?</i>	<input type="checkbox"/> Da

	see attached documents from public accountant bswp	<input checked="" type="checkbox"/> <input type="checkbox"/> Nu se completează de către operatorul economic: text adresa de internet, autoritatea emitentă sau organismul emitent. Referința exactă a documentației.
	Cifra de afaceri anuală Art. 20 din Legea 131 din 03.07.2018 privind achizițiile publice, stabilește că. Al. (1 ¹) În sensul alin. (1) lit. c), cifra de afaceri anuală minimă impusă operatorilor economici nu trebuie să depășească de două ori valoarea estimată a contractului, cu excepția cazurilor bine justificate, precum cele legate de riscurile speciale aferente naturii bunurilor, lucrărilor sau serviciilor. Autoritatea contractantă indică principalele motive pentru o astfel de cerință în documentația de atribuire. Atunci când un contract este împărțit în loturi, indicele cifrei de afaceri se aplică pentru fiecare lot individual. Cu toate acestea, autoritatea contractantă stabilește cifra de afaceri anuală minimă impusă operatorilor economici cu referire la grupuri de loturi, dacă ofertantului câștigător îi sânt atribuite mai multe loturi care trebuie executate în același timp. În cazul în care urmează să se atribuie contracte bazate pe un acord-cadru, cifra de afaceri anuală maximă se calculează în funcție de dimensiunea maximă anticipată a contractelor specifice care vor fi executate în același timp sau, dacă aceasta nu este cunoscută, pe baza valorii estimate a acordului-cadru. În cazul unor sisteme dinamice de achiziții, cifra de afaceri anuală maximă se calculează pe baza dimensiunii maxime anticipate a contractelor specifice care urmează să fie atribuite în cadrul sistemului respectiv.	
	Cifra de afaceri anuală pentru numărul de exerciții financiare impus în anunțul relevant, în documentele achiziției sau în DUAE, este după cum urmează: Se completează de către autoritatea contractantă Valoare	Se completează de către operatorul economic Cifra de afaceri: [număr]
	Aceste informații sunt disponibile gratuit pentru autorități, dintr-o bază de date națională ?	
	Cifra de afaceri medie anuală	

	<p>Cifra de afaceri medie anuală pentru numărul de ani impus în anunțul relevant, în documentele achiziției sau în DUAE, este după cum urmează: <i>Se completează de către autoritatea contractantă</i></p> <p>Număr de ani Valoare</p> <p>see information about annual turnover in the accompanying letter</p>	<p>Se completează de către operatorul economic An: [număr] Cifra de afaceri: [număr] An: [număr] Cifra de afaceri: [număr] An: [număr] Cifra de afaceri: [număr]</p>
	<p><i>Aceste informații sunt disponibile gratuit pentru autorități, dintr-o bază de date națională ?</i></p> <p>see: https://www.bundesanzeiger.de/ebanzwww/wexsservlet?session.sessionid=d911691d536ac6dcd0d86ac84d555b72&page.navid=detailsearchlisttodetailsearchliststatisticfilter&genericsearch_param.destHistoryId=83795&genericsearch_param.currentpage=1&search_statistic_menu.selected_part_id=22&search_statistic_menu.selected_category_id=9135&search_statistic_menu.selected_type_id=</p>	<p><input checked="" type="checkbox"/> Da <input type="checkbox"/> Nu se completează de către operatorul economic: text adresa de internet, autoritatea emitentă sau organismul emitent. Referința exactă a documentației.</p>
	<p>Raport financiar</p>	
	<p>Operatorul economic va fi în măsură să furnizeze raportul financiar înregistrat, extrase din raportul financiar, sau să furnizeze informații care să îi permită autorității contractante sau entității contractante să obțină acest raport direct prin accesarea unei baze de date naționale în orice stat, disponibilă în mod gratuit?</p>	<p><input checked="" type="checkbox"/> Da <input type="checkbox"/> Nu</p>
	<p><i>Aceste informații sunt disponibile gratuit pentru autorități, dintr-o bază de date națională?</i></p> <p>see: see: https://www.bundesanzeiger.de/ebanzwww/wexsservlet?session.sessionid=d911691d536ac6dcd0d86ac84d555b72&page.navid=detailsearchlisttodetailsearchliststatisticfilter&genericsearch_param.destHistoryId=83795&genericsearch_param.currentpage=1&search_statistic_menu.selected_part_id=22&search_statistic_menu.selected_category_id=9135&search_statistic_menu.selected_type_id=</p>	<p><input checked="" type="checkbox"/> Da <input type="checkbox"/> Nu se completează de către operatorul economic: text adresa de internet, autoritatea emitentă sau organismul emitent. Referința exactă a documentației.</p>
	<p><i>Dacă autoritatea contractantă sau entitatea contractantă solicită în anunțul de participare prezentarea unor formulare care conțin informații privind capacitatea economică sau</i></p>	

	<i>financiară, vă rugăm să furnizați formularele solicitate în anunțul de participare.</i>	
	<p>Art. 20 din Legea 131 din 03.07.2018 privind achizițiile publice, stabilește că.</p> <p><i>Al. (5) În cazul în care ofertantul/candidatul își demonstrează capacitatea economică și financiară invocând și susținerea acordată, în conformitate cu prevederile alin. (4), de către o altă persoană, acesta are obligația de a dovedi susținerea de care beneficiază prin prezentarea în formă scrisă a unui angajament ferm al persoanei respective, încheiat în formă autentică, prin care această persoană confirmă faptul că va pune la dispoziția ofertantului/candidatului resursele financiare invocate. Persoana care asigură susținerea financiară trebuie să îndeplinească criteriile de selecție relevante și nu trebuie să se afle în niciuna dintre situațiile prevăzute la art. 18 alin. (1) și alin. (2) lit. a), c)–d³), care determină excluderea din procedura de atribuire.</i></p> <p><i>Al. (6) Atunci când ofertantul/candidatul se bazează pe capacitățile altei persoane în ceea ce privește criteriile referitoare la capacitatea economică și financiară, autoritatea contractantă solicită ca ofertantul/candidatul și acea persoană să fie răspunzătoare solidar pentru executarea contractului.</i></p> <p><i>Al. (7) În aceleași condiții prevăzute la alin. (4)–(6), o asociație de operatori economici are dreptul să se bazeze pe capacitățile membrilor asociației sau ale altor persoane.</i></p>	
C.	Capacitatea tehnică și/sau profesională	
	Art.21 din Legea nr.131 din 03.07.2015 stabilește următoarele motive de selecție:	
	Operatorul economic va fi în măsură să furnizeze documentele solicitate de către autoritatea contractantă sau entitatea contractantă în anunțul de participare, care demonstrează capacitatea tehnică și/sau profesională pentru executarea viitorului contract, sau să furnizeze informații care să îi permită autorității contractante sau entității contractante să obțină aceste informații direct prin accesarea unei baze de date naționale în orice stat, disponibilă în mod gratuit?	<input checked="" type="checkbox"/> Da <input type="checkbox"/> Nu
	<p><i>Aceste informații sunt disponibile gratuit pentru autorități, dintr-o bază de date națională?</i></p> <p>see: attached 2 certificates from Sächsischer Landeskontrollverband e.V. and extract from Commercial Registry</p>	<input type="checkbox"/> Da <input checked="" type="checkbox"/> Nu se completează de către operatorul economic: text adresa de internet, autoritatea emitentă sau organismul emitent. Referința exactă a documentației.
	<i>Dacă autoritatea contractantă sau entitatea contractantă solicită în anunțul de participare prezentarea unor formulare care conțin informații privind capacitatea tehnică sau profesională, vă rugăm să furnizați formularele solicitate în anunțul de participare.</i>	
	Pentru contractele de achiziție de lucrări: executarea de lucrări de tipul specificat	
	Numai pentru contractele de achiziții publice de lucrări: în perioada de referință, operatorul economic a îndeplinit următoarele lucrări de tipul specificat. Autoritățile contractante pot solicita experiența de până la cinci ani și pot accepta experiența acumulată în urmă cu peste cinci ani.	
	Descriere	

	Valoare	
	Data de începere	
	Data de încheiere	
	Beneficiari	
	<i>Aceste informații sunt disponibile gratuit pentru autorități, dintr-o bază de date națională?</i>	<input type="checkbox"/> Da <input type="checkbox"/> Nu se completează de către operatorul economic: text adresa de internet, autoritatea emitentă sau organismul emitent. Referința exactă a documentației.
	Pentru contractele de achiziție de bunuri, servicii: executarea de livrări, prestări de tipul specificat	
	Numai pentru contractele de achiziții publice de bunuri și servicii: în perioada de referință, operatorul economic a efectuat următoarele livrări, prestări principale de tipul specificat în anunțul de participare. Autoritățile contractante pot solicita experiența de până la trei ani și pot accepta experiența acumulată în urmă cu peste trei ani. <i>Vă rugăm să le descrieți</i>	
	Valoare see: list of reference projects in accompanying letter	
	Data de începere	
	Data de încheiere	
	Beneficiari	
	<i>Aceste informații sunt disponibile gratuit pentru autorități, dintr-o bază de date națională?</i>	<input type="checkbox"/> Da <input checked="" type="checkbox"/> Nu se completează de către operatorul economic: text adresa de internet, autoritatea emitentă sau organismul emitent. Referința exactă a documentației.
	<i>Dacă autoritatea contractantă sau entitatea contractantă solicită în anunțul de participare prezentarea unor formulare, vă rugăm să furnizați formularele solicitate în anunțul de participare.</i>	
	Instalații tehnice și măsuri de asigurare a calității	
	Vă rugăm să furnizați detalii referitoare la tehnicieni sau organisme tehnice pe care operatorul economic le	

	poate solicita, în special cele responsabile de controlul calității în legătură cu acest exercițiu de achiziții publice. <i>Vă rugăm să le descrieți</i>	
	vă rugăm să furnizați o declarație cu privire la sisteme de management și de trasabilitate în cadrul lanțului de aprovizionare utilizate.	<input checked="" type="checkbox"/> Da <input type="checkbox"/> Nu
	see information about quality management system in accompanying letter <i>Aceste informații sunt disponibile gratuit pentru autorități, dintr-o bază de date națională?</i>	<input type="checkbox"/> Da <input checked="" type="checkbox"/> Nu se completează de către operatorul economic: text adresa de internet, autoritatea emitentă sau organismul emitent. Referința exactă a documentației.
	<i>Dacă autoritatea contractantă sau entitatea contractantă solicită în anunțul de participare prezentarea unor formulare, vă rugăm să furnizați formularele solicitate în anunțul de participare.</i>	
	Permiterea controalelor	
	Pentru produsele sau serviciile complexe care urmează să fie furnizate sau, în mod excepțional, pentru produsele sau serviciile necesare cu un scop anume. Operatorul economic va permite efectuarea de verificări ale capacităților de producție sau ale capacității tehnice a operatorului economic și, dacă este necesar, ale mijloacelor de studiu și de cercetare de care dispune și ale măsurilor de control al calității? Vă rugăm să rețineți că, în cazul în care operatorul economic a decis să subcontracteze o parte din contract și se bazează pe capacitățile subcontractantului pentru executarea părții respective, trebuie să completați un DUAЕ separat pentru astfel de subcontractanți. <i>Permiteți verificări</i>	<input checked="" type="checkbox"/> Da <input type="checkbox"/> Nu
	Diplome de studii și calificări profesionale	
	Următoarele calificări educaționale și profesionale sunt deținute de prestatorul de servicii sau de contractantul însuși și/sau în funcție de cerințele stabilite în anunțul de participare sau în documentele procedurii de achiziție de către personalul său de conducere. <i>Vă rugăm să le descrieți see accompanying letter</i>	
	<i>Aceste informații sunt disponibile gratuit pentru autorități, dintr-o bază de date națională?</i>	<input type="checkbox"/> Da <input checked="" type="checkbox"/> Nu se completează de către operatorul economic: text adresa de

		internet, autoritatea emitentă sau organismul emitent. Referința exactă a documentației.
	<i>Dacă autoritatea contractantă sau entitatea contractantă solicită în anunțul de participare prezentarea unor formulare, vă rugăm să furnizați formularele solicitate în anunțul de participare.</i>	
	Măsuri de management al mediului	
	Operatorul economic va putea să aplice următoarele măsuri de management de mediu atunci când execută contractul: <i>Vă rugăm să le descrieți</i> see ÖkoProfit certificate	
	<i>Aceste informații sunt disponibile gratuit pentru autorități, dintr-o bază de date națională?</i>	<input type="checkbox"/> Da <input checked="" type="checkbox"/> <input type="checkbox"/> Nu se completează de către operatorul economic: text adresa de internet, autoritatea emitentă sau organismul emitent. Referința exactă a documentației.
	Numărul membrilor personalului de conducere	
	Numărul membrilor personalului de conducere ale operatorului economic din ultimii trei ani au fost după cum urmează. see accompanying letter	Anul Număr Anul Număr Anul Număr
	Pentru contractele de achiziție de bunuri/servicii: eșantioane, descrieri sau fotografii, fără certificate de autenticitate	
	Pentru contractele de achiziții publice de bunuri/servicii: operatorul economic va furniza eșantioanele, descrierile sau fotografiile solicitate ale produselor/serviciilor care urmează să fie furnizate/prestate, care nu trebuie să fie însoțite de certificate de autenticitate.	<input checked="" type="checkbox"/> Da <input type="checkbox"/> <input type="checkbox"/> Nu
	<i>Aceste informații sunt disponibile gratuit pentru autorități, dintr-o bază de date națională?</i> see technical descriptions of offered products	<input type="checkbox"/> Da <input checked="" type="checkbox"/> <input type="checkbox"/> Nu se completează de către operatorul economic: text adresa de internet, autoritatea

		emitentă sau organismul emitent. Referința exactă a documentației.
	<i>Dacă autoritatea contractantă sau entitatea contractantă solicită în anunțul de participare prezentarea unor formulare, vă rugăm să furnizați formularele solicitate în anunțul de participare.</i>	
D.	Sisteme de asigurare a calității și standarde de management de mediu.	
	Art. al din lege stabilește următoarele motive de selecție.	
	Certificate emise de organisme independente cu privire la sistemele sau standardele de management de mediu	<input checked="" type="checkbox"/> Da <input type="checkbox"/> <input type="checkbox"/> Nu
	<i>Aceste informații sunt disponibile gratuit pentru autorități, dintr-o bază de date națională?</i> see: ÖkoProfit certificate	<input type="checkbox"/> Da <input type="checkbox"/> <input type="checkbox"/> Nu se completează de către operatorul economic: adresa de internet, autoritatea emitentă sau organismul emitent. Referința exactă a documentației.
	<i>Dacă autoritatea contractantă sau entitatea contractantă solicită în anunțul de participare prezentarea unor formulare, vă rugăm să furnizați formularele solicitate în anunțul de participare.</i>	

Partea V- Indicații generale pentru toate criteriile de selecție

Partea V - se completează online de către autoritatea contractantă, entitatea contractantă și operatorii economici și include.

A.	Îndeplinirea tuturor criteriilor de selecție impuse:	
	Operatorul economic va fi în măsură să furnizeze formularele, certificatele, avizele și alte documente indicate în anunțul de participare, sau să ofere informații care să îi permită autorității contractante sau entității contractante să obțină aceste documente, informații direct prin accesarea unei baze de date naționale în orice stat, disponibilă în mod gratuit? Termen 1 zi lucrătoare	<input checked="" type="checkbox"/> Da <input type="checkbox"/> <input type="checkbox"/> Nu
	<i>Aceste informații sunt disponibile gratuit pentru autorități, dintr-o bază de date națională?</i>	<input type="checkbox"/> Da <input checked="" type="checkbox"/> <input type="checkbox"/> Nu se completează de către operatorul economic: text adresa de

		internet, autoritatea emitentă sau organismul emitent. Referința exactă a documentației.
--	--	--

Partea VI - Preselecția candidaților calificați pentru procedura licitației restrânse, negociere, dialog competitiv și parteneriatul pentru inovare

Partea VI se completează online de către autoritatea contractantă, entitatea contractantă și operatorii economici și include.

Operatorul economic declară că: Îndeplinește criteriile sau regulile obiective și nediscriminatorii aplicabile pentru limitarea numărului de candidați în următorul mod:	
Operatorul economic declară că: Dispune de certificate sau alte forme de documente justificative, după cum este cerut de anunțul de participare relevant:	
<i>Aceste informații sunt disponibile gratuit pentru autorități, dintr-o bază de date națională?</i>	<input type="checkbox"/> Da <input checked="" type="checkbox"/> Nu se completează de către operatorul economic: [text] adresa de internet, autoritatea emitentă sau organismul emitent. Referința exactă a documentației.

Partea VII- Declarațiile finale

Operatorul economic declară că informațiile prezentate în părțile II - VI de mai sus sunt exacte și corecte și că au fost furnizate cunoscând pe deplin consecințele cazurilor grave de declarații false. Operatorul economic declară în mod oficial că poate să furnizeze, la cerere și fără întârziere, certificatele și alte forme de documente justificative menționate, cu excepția cazului în care:

1. Autoritatea contractantă sau entitatea contractantă are posibilitatea de a obține documentele justificative în cauză direct prin accesarea unei bazei de date relevante care este disponibilă gratuit, și se consimte accesul la informațiile menționate, în cazul în care acest lucru este necesar.

Operatorul economic declară în mod oficial că este de acord ca **IP Serviciul Tehnologia Informației și Securitate Cibernetică**, astfel cum este descrisă în partea I secțiunea A să obțină acces la documentele justificative privind informațiile pe care le-a furnizat în acest Document Unic de Achiziție European în scopul [NUMĂRUL UNIC DE IDENTIFICARE AL PROCEDURII DE ACHIZIȚIE ȘI REFERINȚA DE PUBLICARE ÎN JURNALUL OFICIAL AL UNIUNII EUROPENE (NUMĂRUL DE REFERINȚĂ), DACĂ ESTE CAZUL].ocds-b3wdp1-MD-1549653900063

Nume: [text] WINKELER, Henrik

Poziția: [text] Managing Director

Data: [date] 22.02.2019

Locul: [text] Bocholt

Semnătura

**NÜRNBERGER
VERSICHERUNG**

Dispatch via 142 06 2432
Copy for the support center

NÜRNBERGER, 90334

Caisley International GmbH
Mussum
Harderhook 31
46395 Bocholt

Dear Sir/Madam

NÜRNBERGER liability insurance cover

Insurance policy number
Business liability insurance

Please state always

H 31/10 281 672

We hereby certify that business liability insurance exists with the following insured sums:

for injury to persons	2,000,000 EUR
for damage to property	1,000,000 EUR
for pecuniary damage	100,000 EUR

The insurer's overall benefit for all claims during the policy period amounts to twice as much as these insured sums and for environmental liability basic insurance the overall benefit remains as is.

According to our documents, insurance premiums are paid continuously.

Please call us if you still have questions.

Yours sincerely

NÜRNBERGER Allgemeine Versicherungs-AG

(Signature)
Peter Meier

(Signature)
Stefan Kreß

This is to certify that the foregoing page is a true and correct translation of the German Original Copy

Solingen, this 18th Day of February 2019



Your support centre
Rüther GmbH
Insurance broker
Dinxperloer Str. 18-20
46399 Bocholt
Tel. 02871 21840
Fax 02871 218419
info@ruether-gmbh.de

Your contact person
Sonja Steiger
Special service liability
Tel. 0911 531-4810
Fax 0911 531-7100

Nuremberg, 10.01.2019



Versand über 142 06 2432
Kopie für Betreuungsstelle

NÜRNBERGER, 90334 Nürnberg

H

Caisley International GmbH
Mussum
Harderhook 31
46395 Bocholt

Ihre Betreuungsstelle

Rüther GmbH
Versicherungsmakler
Dinxperloer Str. 18-20
46399 Bocholt
Tel. 02871 21840
Fax 02871 218419
info@ruether-gmbh.de

Ihre Ansprechpartnerin

Sonja Steiger
Spezialservice Haftpflicht
Tel. 0911 531-4810
Fax 0911 531-7100

Nürnberg, 10.01.2019

NÜRNBERGER HaftpflichtSchutz

Versicherungsschein-Nr.

Bitte immer angeben
H 31/10 281 672

Betriebs-Haftpflichtversicherung

Sehr geehrte Damen und Herren,

gerne bestätigen wir Ihnen, dass die Betriebs-Haftpflichtversicherung mit folgenden Versicherungssummen besteht:

für Personenschäden	2.000.000 EUR
für Sachschäden	1.000.000 EUR
für Vermögensschäden	100.000 EUR

Die Gesamtleistung des Versicherers für alle Versicherungsfälle eines Versicherungsjahres beträgt das Doppelte dieser Versicherungssummen, bei der Umwelt-Haftpflicht-Basisversicherung das Einfache.

Die Versicherungsbeiträge sind nach unseren Unterlagen laufend bezahlt.

Wenn sich noch Fragen ergeben: Bitte rufen Sie uns an.

Mit freundlichen Grüßen

NÜRNBERGER Allgemeine Versicherungs-AG

Peter Meier *Stefan Kreß*

Peter Meier

Stefan Kreß



G7 037 T0000346 0000346 0030
37287 00005902 0047



Certificate

Standard **ISO 9001:2015**

Certificate Registr. No. **01 100 046014**

Certificate Holder:

Caisley
INTERNATIONAL GMBH

Caisley International GmbH
Harderhook 31
46395 Bocholt
Germany

Scope:

Development, production and sales of animal-identification-systems, Laser marking, Plastic injection molding

Proof has been furnished by means of an audit that the requirements of ISO 9001:2015 are met.

Validity:

The certificate is valid from 2018-06-19 until 2019-06-14.
First certification 2004

2018-06-22



TÜV Rheinland Cert GmbH
Am Grauen Stein · 51105 Köln



Translation from the German Language

**ÖKOPROFIT
KREIS BORKEN**

Award

**Caisley International
GmbH**

receives the

**ÖKOPROFIT®
KREIS BORKEN 2018**

award

for the site in

Harderhook 31

46395 Bocholt

(Signature)

Dr. Kai Zwicker
District Administrator

**WEST MÜNSTERLAND
BORKEN DISTRICT
INFINITE POSSIBILITIES**

(Signature)

Dr. Heiner Kleinschneider
Wirtschaftsförderungsgesellschaft
für den Kreis Borken

WFG

FÜR DEN KREIS BORKEN MBH

This is to certify that the foregoing page is a true and
correct translation of the German Original Copy

Solingen, this 18th Day of February 2019





Auszeichnung

Caisley International GmbH

erhält für den Standort

Harderhook 31,

46395 Bocholt

die Auszeichnung

ÖKOPROFIT® Kreis Borken 2018

Dr. Kai Zwicker
Landrat



Dr. Heiner Kleinschneider
Wirtschaftsförderungsgesellschaft
für den Kreis Borken





Seat:

Via Giuseppe Tomassetti 3, A/1
I-00161 Rome, Italy
Tel. +39-0644202639
Fax : +39-0644266798
Email : elena@icar.org
www.icar.org
C.F. 97237980582

Caisley International GmbH
Att. Mr. H. Winkeler
Harderhook 31
D-46395 Bocholt-Mussum
Germany

Rome, 27 January 2012

L/005/2012

Approval of Caisley FlexoPlus plastic ear tag (product code T004)

According to your company's request a test was carried out on ear tags of the type "Caisley FelxoPlus" delivered by your company. The procedure is laid down in the ICAR guideline "Performance evaluation and approval of official permanent identification devices Part 1: Conventional permanent plastic ear tags (with or without machine readable printing)".

The intention of the test was to check the performance of the ear tags against the criteria for laboratory tests in the laboratory report. The result is as follows:

Caisley FlexoPlus ear tags tested perform as required.

With best regards.

Yours sincerely,

Andrea Rosati
Secretary General



Cc: ICAR Sub-Committee on Animal Identification

CERTIFICAT

Sächsischer Landeskontrollverband e.V.
(Uniunea pentru Control de Calitate a Landului Saxonia)
Landesgeschäftsstelle Lichtenwalde
(Oficiul de Land Lichtenwalde)

atestă

pentru crotaliile auriculare FlexoPlus

- că în ultimii 8 ani nu s-au operat nici un fel de modificări vădite în ceea ce privește atât culoarea cât și inscripționarea (imprimarea cu laser)
- că distanța dintre partea cu dornul și partea perforată a crotaliei auriculare după aplicare este de cca. 10,2 mm
- că materialul crotaliei auriculare rezistă la variații de temperatură între -30° C și +40° C
- că forța de tracțiune necesară pentru a produce deteriorarea crotaliei auriculare este de cel puțin 300 N
- că în conformitate cu directivele UE în vigoare materialele prime poliuretanică utilizate sunt admise pentru folosirea în domeniul alimentar. Ele nu conțin substanțe cu importanță toxicologică sau cu importanță toxicologică deosebită, nici metale grele dăunătoare sănătății precum plumb, cadmiu, crom sau mercur, și nici substanțe pe bază de fluor care dăunează stratului de ozon
- că crotaliile auriculare de tipul FlexoPlus sunt folosite în landul Saxonia din anul 2001.

(semnătură indescifrabilă)

Ullrich Delling

Director

Uniunea pentru Control de Calitate a Landului Saxonia

- asociație înregistrată -

August-Bebel-Straße 6

09577 Lichtenwalde

Tel. 037206/87-0

ZERTIFIKAT

Sächsischer Landeskontrollverband e.V. Landesgeschäftsstelle Lichtenwalde

bestätigt

für die FlexoPlus Ohrmarken

- dass in den letzten 8 Jahren keinerlei offensichtliche Änderungen sowohl in der Farbe also auch bei der Beschriftung (Laserbeschriftung) vorgekommen sind
- dass der Abstand zwischen Dorn- und Lochteil der Ohrmarke nach Applikation bei ca. 10,2 mm liegt
- dass das Material der Ohrmarke Temperaturschwankungen zwischen -30°C bis $+40^{\circ}\text{C}$ standhält
- dass das die Zugkraft, die nötig ist, um die Ohrmarken zu beschädigen, bei minimal 300 Newton liegt
- dass das die verwendeten Polyurethanrohstoffe gemäß den gültigen EU-Richtlinien für die Anwendung im Lebensmittelbereich zugelassen sind. Es enthält keine Stoffe von toxikologischer oder besonderer toxikologischer Bedeutung, keine gesundheitsgefährdenden Schwermetalle wie Blei, Cadmium, Chrom oder Quecksilber und keine die Ozonschicht schädigenden Fluorderivate.
- die Ohrmarken des Typs FlexoPlus seit 2001 in Sachsen verwendet werden


.....
Ullrich Delling
Geschäftsführer
Sächsischer
Landeskontrollverband
e.V.
August-Bebel-Straße 6
09577 Lichtenwalde
Tel. 03 72 06 787 - 0



Certificat

În completarea adresei noastre din data de 03 iulie 2007 noi, uniunea Sächsische Landeskontrollverband e.V., confirmăm prin prezenta în calitatea noastră de instituție responsabilă că utilizăm crotaliile MultiFlex de 11 ani.

Uniunea Sächsische Landeskontrollverband a achiziționat în ultimii șase ani cca. 2,1 milioane de crotalii.

În timpul celor 11 ani nu s-au constatat modificări considerabile ale distanței dintre dornul și orificiul crotaliilor după aplicație (acesta este de cca. 10,2 mm), materialul crotaliilor rezistă la variații de temperatură de la - 30 °C până la + 40 °C, forța de tracțiune necesară pentru deteriorarea crotaliilor este de minim 300 Newton, materialele poliuretanică utilizate fiind admise conform directivelor UE pentru alimente.

De asemenea, confirmăm din experiența noastră practică și de utilizare de 11 ani în calitatea noastră de instituție responsabilă a landului federal Saxonia din Republica Federală Germania următoarele:

crotaliile MultiFlex și FlexoPlus nu au nicio influență asupra sănătății animalelor marcate cu aceste crotalii; nici animalele marcate cu crotaliile MultiFlex și FlexoPlus, și nici persoanele participante la marcare, nu au fost accidentate la aplicare; din studiile pe perioade îndelungate nu au rezultat efecte negative asupra performanței sau constituției animalelor.

Acest certificat este valabil pentru utilizarea la rasele de animale bovine/vaci, porci, oi și capre.

Acest certificat a fost eliberat la cererea firmei Caisley International GmbH și este necesar pentru participarea la licitația publică pentru marcarea bovinelor, porcilor, oilor și caprelor din departamentul pentru înregistrarea animalelor de fermă ale Republicii Moldova, utilizarea acesteia în alte scopuri fiind interzisă.

U. Delling
Sächsischer Landeskontrollverband e. V.

Lichtenwalde, 19 octombrie 2010



SÄCHSISCHER LANDESKONTROLLVERBAND e.V.



Bereich: Zentrallabor - Milch/Futter
Durch die DAP
Deutsches Akkreditierungssystem Prüfwesen GmbH
akkreditiertes Prüflaboratorium



Bereich: Milchleistungsprüfung/HIT
Zertifiziertes Qualitätsmanagementsystem
nach
DIN EN ISO 9001:2000-12
ifta-CERT®
Registrier-Nr.: IC 1443 039

Sächsischer Landeskontrollverband e.V. - August-Bebel-Str. 6 - 09577 Lichtenwalde



Staatlich anerkannte neutrale Milchprüfung

- Milchqualitätsberatung
- Milchleistungsprüfung
- Futteruntersuchung
- Milchgüteprüfung
- Erzeugerringe
- EDV - Dienstleistung

Internet: <http://www.lkvsachsen.de>
email: infoline@rizu.de

Ihre Zeichen

Ihre Nachricht vom

Unsere Zeichen

Datum

Zertifikat

In Ergänzung unseres Schreibens vom 03. Juli 2007 bestätigen wir, der Sächsische Landeskontrollverband e.V., hiermit, als beauftragte Stelle, die Verwendung der MultiFlex Ohrmarken seit 11 Jahren.

Der Sächsische Landeskontrollverband hat in den vergangenen sechs Jahren ca. 2,1 Millionen Ohrmarken erworben.

In der Zeit von 11 Jahren ergaben sich keinerlei offensichtliche Änderungen im Abstand zwischen Dorn- und Lochteil der Ohrmarken nach der Applikation (liegt bei ca. 10,2 mm), das Material der Ohrmarken hält Temperaturschwankungen zwischen - 30 °C bis + 40 °C stand, die Zugkraft, die nötig ist, um die Ohrmarken zu beschädigen, liegt bei minimal 300 Newton, die verwendeten Polyurethanrohstoffe sind gemäß den gültigen EU-Richtlinien für die Anwendung im Lebensmittelbereich zugelassen.

Des weiteren bestätigen wir aus der 11-jährigen Praxis- und Einsatzerfahrung als beauftragte Stelle des Bundeslandes Sachsens in der Bundesrepublik Deutschland:

dass die MultiFlex und FlexoPlus Ohrmarken keinen Einfluss auf die Tiergesundheit der mit diesen Ohrmarken gekennzeichneten Tiere haben, dass die, mit MultiFlex und FlexoPlus gekennzeichneten Tiere, als auch die Personen, bei dem direkten Kennzeichnen keinen Schaden genommen haben, dass auch in der Langzeitkontrolle keine Beeinträchtigungen sowohl in der Leistungsfähigkeit als auch in der Konstitution der Tiere festgestellt wurde.

Diese Bestätigung erstreckt sich auf die Verwendung bei den Tierarten Rinder/Kühe, Schweine, Schafe und Ziegen.

Dieses Zertifikat wurde auf Anfrage der Firma Caisley International GmbH erstellt und wird benötigt für die Teilnahme an der öffentlichen Ausschreibung zur Kennzeichnung von Rindern, Schweinen, Schafen und Ziegen der Nutztierregistrationsabteilung des Landes Moldavien und kann zu anderen Zwecken nicht verwendet werden.


U. Delling
Sächsischer Landeskontrollverband e.V.

Lichtenwalde, den 19. Oktober 2010


H. Ullrich

Telefon:
03 72 06 / 87-0
Telefax:
03 72 06 / 87-2 30

Anschrift:
August-Bebel-Straße 6
09577 Lichtenwalde

Bankverbindung:
Volksbank Mittweida e.G.
Kto.-Nr.: 197 556 315
BLZ 870 961 24

Bankverbindung:
Volksbank Mittl. Erzgebirge
Kto.-Nr.: 310 000 795
BLZ 870 690 75


Vorstandsvorsitzender:
Holger Rudolph
Geschäftsführer:
Ullrich Delling

Specificații tehnice (F4.1)

[Acest tabel va fi completat de către ofertant în coloanele 3, 4, 5, 7, iar de către autoritatea contractantă – în coloanele 1, 2, 6, 8]

Numărul procedurii de achiziție ocds-b3wdp1-MD-1549653900063 din 08.02.2019
Denumirea procedurii de achiziție: Crotalii pentru animale

Cod CPV	Denumirea bunurilor	Modelul articolului	Țara de origine	Producătorul	Specificarea tehnică deplină solicitată de către autoritatea contractantă	Specificarea tehnică deplină propusă de către ofertant	Standarde de referință
1	2	3	4	5	6	7	8
03340000 -6	Bunuri Lotul 1: Crotalii pentru animale						
	1.1 Crotalii neimprimare Bovine	FlexoPlus G/D	Germany	CAISLEY International GmbH	În conformitate cu Cerințele tehnice (Anexa 1)	fully conform to technical specifications of annex 1	ISO 9001
	1.2 Crotalii imprimate Ovine	MultiFlex L/L	Germany	CAISLEY International GmbH	Diapazon imprimat pe crotalii: MD 1002766442 – 1002816441 În conformitate cu Cerințele tehnice (Anexa 2)	fully conform to technical specifications of annex 2	ISO 9001
	1.3 Crotalii imprimate Caprine	MultiFlex L/L	Germany	CAISLEY International GmbH	Diapazon imprimat pe crotalii: MD 2000603863 – 2000653862 În conformitate cu Cerințele tehnice (Anexa 2)	fully conform to technical specifications of annex 2	ISO 9001
	1.4 Crotalii imprimate Porcine	MultiFlex P/P	Germany	CAISLEY International GmbH	Diapazon imprimat pe crotalii: MD 3004699587 - 3005199586 În conformitate cu Cerințele tehnice (Anexa 2)	fully conform to technical specifications of annex 2	ISO 9001
	TOTAL						

Semnat:  Numele, Prenumele: WINKELER, Henrik În calitate de: Managing Director
Ofertantul: CAISLEY International GmbH Adresa: Harderhook 31, 46395 Bocholt, Germany

Annex 1

CHAPTER I

Technical Specifications for unprinted bovine ear tags

We offer the FlexoPlus G/D of the CAISLEY product family FlexoPlus. This high quality ear tag meets the requested technical requirement in all points.



FlexoPlus G/D, for bovine, unprinted

1. General technical requirements

- 1.1. All ear tags of the FlexoPlus-family, as well the offered FlexoPlus G/D, are completely made of quality controlled thermoplastic polyurethane. All Parts of the ear tag are made of this base material, there are no other materials used. The material is specially designed to ensure the longevity and flexibility of the ear tag and not harm the animal's organism.
- 1.2. The ear tag will be applied with the Universal MultiFlex-Applicator placed between the cartilage strips in the first third of the bovine ear. This allows for durable attachment and good visibility of the ear tag flags, both from the front and from behind the animal. The special material composition ensures a very good colour stability and a dark colour change during laser marking. Thus, a high contrast and a good readability is given.

2. Shape and appearance

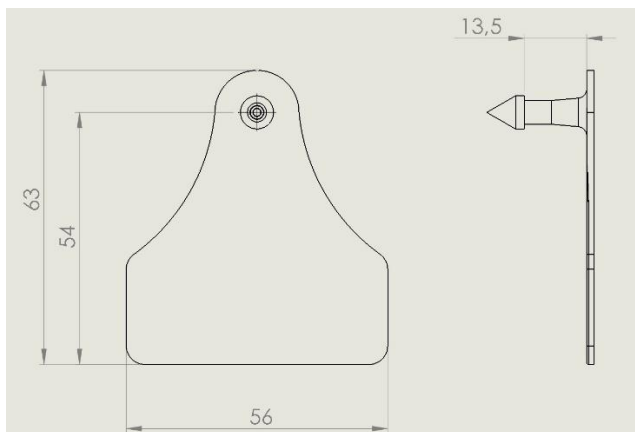
- 2.1. The offered FlexoPlus G/D are yellow.
- 2.2.
 - a. Every FlexoPlus G/D ear tag consists of two parts, one father part and one mother part.
 - b. The father part has a pin for piercing the ear.
 - c. At the tip of the pin is a very hard insert to allow a precise and easy penetration of the ear tissue. When attaching the ear tag the pin of the ear tag is supported from the inside by the

metal pin of the applicator. The other parts of the ear tag are made of a high flexible material.

- d. FlexoPlus G/D tags have ventilation holes in the locking system for aeration of the ear.
- e. The tip of the Pin has four cutting grooves, which also are designed to occur an easy and precise penetration of the tissue and a secure closing of the tag.
- f. The tip of the pin has an outer diameter of 7,2mm and is greater than the pole of the pin. This together with the accurate cutting principle of the locking-system of the FlexoPlus G/D ear tags occurs a clear ear hole that is greater than the pole of the pin, so the ear tag can rotate freely around the axis. The precise cutting and the design of the locking-system also allows the father part to rotate freely in the mother part.
- g. The mother part has openings in the locking ring so the junction channel is open and ventilation is given for a better wound healing.
- h. It is easy and clear to insert the tag parts in the applicator. The two jaws of the pliers represent the respective shape of the father part and the mother part, so the ear tag parts can be inserted only in a specific position. Transposition is not possible.
- i. The offered tag FlexoPlus G/D has a smooth design. All margins and corners of the tag are rounded to fit comfortably to the animal's body and cause no damage.

3. Size

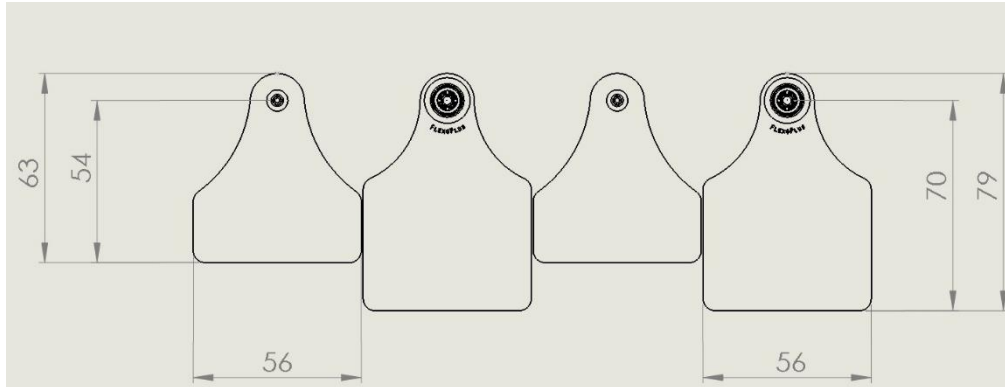
3.1. The mother part of the offered FlexoPlus G/D ear tag has a height of 79mm and a width of 56mm. The distance of the locking to the lower margin is 70mm. The father part has a height of 63mm and also a width of 56mm. The distance between the flag of the father part and the tip of the pin is 13,5mm.



FlexoPlus G, father part, dimensions



FlexoPlus D, mother part, dimensions



FlexoPlus G/D row, dimensions

- 3.2. The pin of the father part has a length of 13,5mm from the bottom to the tip so the distance of 13,5mm between the two connected parts is given.
- 3.3. The mother and the father part of the FlexoPlus G/D have different sizes but meet the required technical specifications (in Figure 1 of the requirements (Annex 1)).

4. Technical performance

The offered FlexoPlus G/D ear tag meets the technical performance requirements.

- a. The ear tag is easily applicable with the Universal MultiFlex Applicator and no special skills of the user are required.
- b. It is easy and clear to insert the tag parts in the applicator. The two jaws of the pliers represent the respective shape of the father part and the mother part, so the ear tag parts can be inserted only in a specific position. Transposition is not possible.
- c. Applying the ear tag is only possible once. Every try to open the ear tag will cause a visible damage and a destruction of the locking system and it becomes impossible to use the tag twice.
- d. Due to the ventilation in the locking system, the free rotation of the two ear tag parts and the smooth design without sharp edges a good and fast wound healing is given.
- e. The special design of the locking system of the FlexoPlus causes a clean cut of the ear tissue. The pin of the father part has a circumferential, very hard cutting edge, which together with the very hard locking ring of the mother part cuts the tissue cleanly and does not crush it by pressure. This ensures that no skin is pressed into the mother part.

5. Resistance to traction

- 5.1. The means of connection of the offered FlexoPlus G/D withstand axially forces of minimum 370N. For at least seven years from joining the ear tag will resist higher forces than 300N.
- 5.2. After application it is not possible to separate the two parts of the tag without a permanently damaging of the means of connection and it is not possible to reassemble the parts.

6. Resistance to temperatures

- a. The offered FlexoPlus G/D ear tag is made of a thermoplastic polyurethane and resists temperatures between -30°C and +60°C and has a very good weather-, UV- and microbial resistance.
- b. The used material doesn't get brittle at temperatures below 0°C.
- c. It is very robust and very hard to be torn or damaged.
- d. For a good performance of the ear tag it is necessary that the material of the tag is flexible and durable. The material that is used for CAISLEY's FlexoPlus tags is extensive and constantly checked and meets these requirements.
- e. The material is absolutely innocuous.
- f. Because the entire ear tag is made of the same base material and does not contain other materials (such as metal), it can easily be recycled. The material comply with laws and regulations to recycling.
- g. The ear tag is not reusable. After application it is not possible to separate the two parts of the tag without a permanently damaging of the means of connection and it is not possible to reassemble the parts.
- h. The FlexoPlus does not adversely affect the wound healing process. Due to the ventilation in the locking system, the free rotation of the two ear tag parts and the smooth design without sharp edges a good and fast wound healing is given.

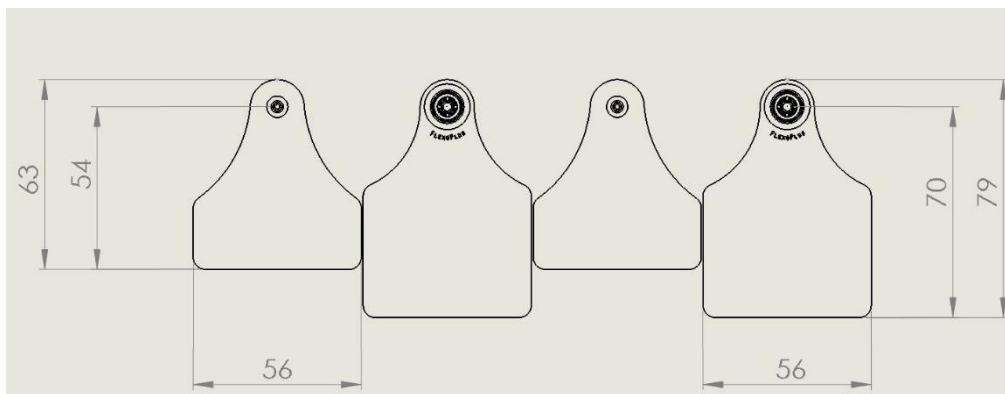
7. Resistance to abrasion

FlexoPlus ear tags are made for laser printing. CAISLEY has good experience to print these tags with ROFIN laser printers. The printing is very dark with a high contrast and it isn't possible to remove the printing by washing with water or solvents or by wiping with sandpaper. The long term experience of CAISLEY's FlexoPlus shows that the printing resists all these effects longer than seven years from delivery.

CHAPTER II

Technical Requirements for Ear Tag Packing

The offered FlexoPlus G/D ear tags for bovine will be delivered in connected rows that include two pieces of ear tags (two mother parts and two father parts). That means that one row includes all parts for one animal.



FlexoPlus G/D row, dimensions

These rows will be boxed to 300 pieces.

Due to the connected rows, the ear tags are easy to handle. The offered FlexoPlus G/D tags will fit into the production matrix. CAISLEY's offer is accompanied by 10 samples.

CHAPTER III

Additional Requirements for Ear Tags

8. Compatibility with the application equipment held by the beneficiary

- 8.1. All offered ear tags can be applied with the Universal MultiFlex Applicator. This Applicator is designed by CAISLEY to complement the good features and the benefit of the CAISLEY tags. It is compatible to the complete product range of FlexoPlus (bovine) and MultiFlex (sheep, goat, and swine). The Applicator and the tags are developed by CAISLEY so that is full compatibility guaranteed.
- 8.2. CAISLEY is the manufacturer of both, the offered FlexoPlus G/D eartag as well as the applicator, specified in the technical requirements. As stated in the accompanying letter we therefore guarantee for the compatibility of the offered FlexoPlus G/D eartag to the applicator MultiFlex.

Annex 2

Technical requirements for printed ear tags for sheep, goats and swine

CHAPTER I

Technical requirements for Sheep ear tags

We offer the MultiFlex L/L of the CAISLEY product family MultiFlex. This high quality ear tag meets the requested technical requirement in all points.



MultiFlex L/L, for sheep, printed

1. General technical requirements

- 1.1. All ear tags of the MultiFlex-family, as well the offered MultiFlex L/L, are completely made of quality controlled thermoplastic polyurethane. All Parts of the ear tag are made of this base material, there are no other materials used. The material is specially designed to ensure the longevity and flexibility of the ear tag and not harm the animal's organism.
- 1.2. The ear tag will be attached with the Universal MultiFlex-Applicator placed between the cartilage strips in the first third of the ear of the animal. This allows for durable attachment and good visibility of the ear tag flags, both from the front and from behind the animal. The special material composition ensures a very good colour stability and a dark colour change during laser marking. Thus, a high contrast and a good readability is given.

2. Shape and appearance

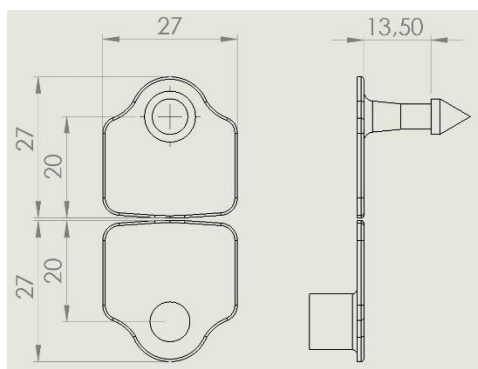
- 2.1. The offered MultiFlex L/L are yellow.
- 2.2. The ear tags will be printed according the specifications (Fig.2 of chapter 1 of the requirements (annex 2)) on the father part of the ear tag, with the number range indicated in the technical specifications table.

2.3.

- a. Every offered MultiFlex ear tags consists of two parts, one father part and one mother part.
- b. The father part has a pin for piercing the ear.
- c. At the tip of the pin is a very hard insert to allow a precise and easy penetration of the ear tissue. When attaching the ear tag the pin of the ear tag is supported from the inside by the metal pin of the applicator. The other parts of the ear tag are made of a high flexible material.
- d. The offered MultiFlex L/L tags have ventilation holes in the pin of the father part and an open designed mother part, so ventilation for a good wound healing is given.
- e. The tip of the Pin has four cutting grooves, which also are designed to occur an easy and precise penetration of the tissue and a secure closing of the tag.
- f. The tip of the pin has an outer diameter of 7,2mm and is greater than the pole of the pin. This together with the accurate cutting principle of the locking-system of the MultiFlex ear tags occurs a clear ear hole that is greater than the pole of the pin, so the ear tag can rotate freely around the axis. The precise cutting and the design of the locking-system also allows the father part to rotate freely in the mother part.
- g. The mother part has an open junction channel and ventilation is given for a better wound healing.
- h. It is easy and clear to insert the tag parts in the applicator. The two jaws of the pliers represent the respective shape of the father part and the mother part, so the ear tag parts can be inserted only in a specific position. Transposition is not possible.
- i. The offered tag MultiFlex L/L has a smooth design. All margins and corners of the tag are rounded to fit comfortably to the animal's body and cause no damage.

3. Size

- 3.1. The mother part of the offered MultiFlex L/L ear tag has a height of 27mm and a width of 27mm. The distance of the locking to the lower margin is 20mm. The father part has a height of 27mm and also a width of 27mm. The distance between the flag of the father part and the tip of the pin is 13,5mm.



Multiflex L/L, dimensions

- 3.2. The pin of the father part has a length of 13,5mm from the bottom to the tip so the distance of 13,5mm between the two connected parts is given.

3.3. The mother and the father part of the MultiFlex L/L have the same size and meet the required technical specifications (in Figure 1 of the requirements (Annex 2)) what means height and width are 27mm.

4. Technical performance

The offered MultiFlex L/L ear tag meets the technical performance requirements.

- a. The ear tag is easily applicable with the Universal MultiFlex Applicator and no special skills of the user are required.
- b. It is easy and clear to insert the tag parts in the applicator. The two jaws of the pliers represent the respective shape of the father part and the mother part, so the ear tag parts can be inserted only in a specific position. Transposition is not possible.
- c. Applying the ear tag is only possible once. Every try to open the ear tag will cause a visible damage and a destruction of the locking system and it becomes impossible to use the tag twice.
- d. Due to the ventilation hole in the pin, the open design of the mother part, the free rotation of the two ear tag parts and the smooth design without sharp edges a good and fast wound healing are given.
- e. The special design of the locking system of the MultiFlex causes a clean cut of the ear tissue. The pin of the father part has a circumferential, very hard cutting edge, which together with the mother part cuts the tissue cleanly and does not crush it by pressure. This ensures that no skin is pressed into the mother part.

5. Resistance to traction

- 5.1. The means of connection of the offered MultiFlex L/L withstand axially forces of minimum 300N. For at least seven years from joining the ear tag will resist higher forces than 300N.
- 5.2. After application it is not possible to separate the two parts of the tag without a permanently damaging of the means of connection and it is not possible to reassemble the parts. The tag can be applied only once.

6. Resistance to temperatures

- a. The offered MultiFlex L/L ear tag is made of a thermoplastic polyurethane and resists temperatures between -30°C and +60°C and has a very good weather-, UV- and microbial resistance.
- b. The used material doesn't get brittle at temperatures below 0°C.
- c. It is very robust and very hard to be torn or damaged.
- d. For a good performance of the ear tag it is necessary that the material of the tag is flexible and durable. The material that is used for CAISLEY's MultiFlex tags is extensive and constantly checked and meets these requirements.
- e. The material is absolutely innocuous.
- f. Because the entire ear tag is made of the same base material and does not contain other materials (such as metal), it can easily be recycled. The material comply with laws and regulations to recycling.

- g. The ear tag is not reusable. After application it is not possible to separate the two parts of the tag without a permanently damaging of the means of connection and it is not possible to reassemble the parts.
- h. The MultiFlex does not adversely affect the wound healing process. Due to the ventilation in the locking system, the free rotation of the two ear tag parts and the smooth design without sharp edges a good and fast wound healing is given.

7. Resistance to abrasion

MultiFlex have a very dark laser printing with a high contrast and it isn't possible to remove the printing by washing with water or solvents or by wiping with sandpaper. The long term experience of CAISLEY's MultiFlex shows that the printing resists all these effects longer than seven years from delivery.

Chapter II

Technical Requirements for Goats Printed Ear Tags

We offer the MultiFlex L/L of the CAISLEY product family MultiFlex. This high quality ear tag meets the requested technical requirement in all points.



MultiFlex L/L, for goats, printed

8. General technical requirements

- 8.1. All ear tags of the MultiFlex-family, as well the offered MultiFlex L/L, are completely made of quality controlled thermoplastic polyurethane. All Parts of the ear tag are made of this base material, there are no other materials used. The material is specially designed to ensure the longevity and flexibility of the ear tag and not harm the animal's organism.
- 8.2. The ear tag will be attached with the Universal MultiFlex-Applicator placed between the cartilage strips in the first third of the ear of the animal. This allows for durable attachment and good visibility of the ear tag flags, both from the front and from behind the animal. The special material composition ensures a very good colour stability and a dark colour change during laser marking. Thus, a high contrast and a good readability is given.

9. Shape and appearance

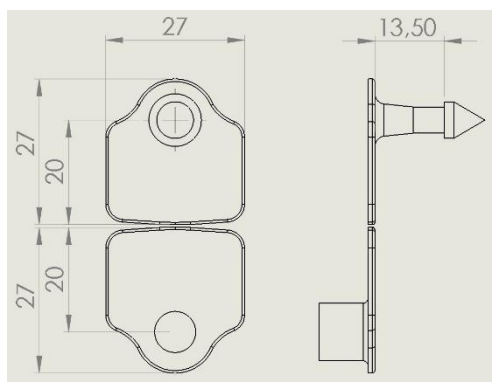
- 9.1. The offered MultiFlex L/L are white.
- 9.2. The ear tags will be printed according the specifications (Fig.4 of chapter 2 of the requirements (annex 2)) on the father part of the ear tag, with the number range indicated in the technical specifications table.
- 9.3.
 - a. Every offered MultiFlex ear tags consists of two parts, one father part and one mother part.
 - b. The father part has a pin for piercing the ear.
 - c. At the tip of the pin is a very hard insert to allow a precise and easy penetration of the ear tissue. When attaching the ear tag the pin of the ear tag is supported from the inside by the

metal pin of the applicator. The other parts of the ear tag are made of a high flexible material.

- d. The offered MultiFlex L/L tags have ventilation holes in the pin of the father part and an open designed mother part, so ventilation for a good wound healing is given.
- e. The tip of the Pin has four cutting grooves, which also are designed to occur an easy and precise penetration of the tissue and a secure closing of the tag.
- f. The tip of the pin has an outer diameter of 7,2mm and is greater than the pole of the pin. This together with the accurate cutting principle of the locking-system of the MultiFlex ear tags occurs a clear ear hole that is greater than the pole of the pin, so the ear tag can rotate freely around the axis. The precise cutting and the design of the locking-system also allows the father part to rotate freely in the mother part.
- g. The mother part has an open junction channel and ventilation is given for a better wound healing.
- h. It is easy and clear to insert the tag parts in the applicator. The two jaws of the pliers represent the respective shape of the father part and the mother part, so the ear tag parts can be inserted only in a specific position. Transposition is not possible.
- i. The offered tag MultiFlex L/L has a smooth design. All margins and corners of the tag are rounded to fit comfortably to the animal's body and cause no damage.

10. Size

- 10.1. The mother part of the offered MultiFlex L/L ear tag has a height of 27mm and a width of 27mm. The distance of the locking to the lower margin is 20mm. The father part has a height of 27mm and also a width of 27mm. The distance between the flag of the father part and the tip of the pin is 13,5mm.



MultiFlex L/L, dimensions

- 10.2. The pin of the father part has a length of 13,5mm from the bottom to the tip so the distance of 13,5mm between the two connected parts is given.
- 10.3. The mother and the father part of the MultiFlex L/L have the same size and meet the required technical specifications (in Figure 3 of the requirements (Annex 2)) what means height and width are 27mm.

11. Technical performance

The offered MultiFlex L/L ear tag meets the technical performance requirements.

- a. The ear tag is easily applicable with the Universal MultiFlex Applicator and no special skills of the user are required.
- b. It is easy and clear to insert the tag parts in the applicator. The two jaws of the pliers represent the respective shape of the father part and the mother part, so the ear tag parts can be inserted only in a specific position. Transposition is not possible.
- c. Applying the ear tag is only possible once. Every try to open the ear tag will cause a visible damage and a destruction of the locking system and it becomes impossible to use the tag twice.
- d. Due to the ventilation hole in the pin, the open design of the mother part, the free rotation of the two ear tag parts and the smooth design without sharp edges a good and fast wound healing is given.
- e. The special design of the locking system of the MultiFlex causes a clean cut of the ear tissue. The pin of the father part has a circumferential, very hard cutting edge, which together with the mother part cuts the tissue cleanly and does not crush it by pressure. This ensures that no skin is pressed into the mother part.

12. Resistance to traction

- 12.1. The means of connection of the offered MultiFlex L/L withstand axially forces of minimum 300N. For at least seven years from joining the ear tag will resist higher forces than 300N.
- 12.2. After application it is not possible to separate the two parts of the tag without a permanently damaging of the means of connection and it is not possible to reassemble the parts. The tag can be applied only once.

13. Resistance to temperatures

- a. The offered MultiFlex L/L ear tag is made of a thermoplastic polyurethane and resists temperatures between -30°C and +60°C and has a very good weather-, UV- and microbial resistance.
- b. The used material doesn't get brittle at temperatures below 0°C.
- c. It is very robust and very hard to be torn or damaged.
- d. For a good performance of the ear tag it is necessary that the material of the tag is flexible and durable. The material that is used for CAISLEY's MultiFlex tags is extensive and constantly checked and meets these requirements.
- e. The material is absolutely innocuous.
- f. Because the entire ear tag is made of the same base material and does not contain other materials (such as metal), it can easily be recycled. The material comply with laws and regulations to recycling.
- g. The ear tag is not reusable. After application it is not possible to separate the two parts of the tag without a permanently damaging of the means of connection and it is not possible to reassemble the parts.
- h. The MultiFlex does not adversely affect the wound healing process. Due to the ventilation in the locking system, the free rotation of the two ear tag parts and the smooth design without sharp edges a good and fast wound healing is given.

TIER-IDENTIFIKATIONSSYSTEME
ANIMAL IDENTIFICATION SYSTEMS

KUNSTSTOFFSPRITZGUSS
INJECTION MOLDING

LASERBESCHRIFTUNGEN
LASER MARKING

Caisley
INTERNATIONAL GMBH

14. Resistance to abrasion

MultiFlex have a very dark laser printing with a high contrast and it isn't possible to remove the printing by washing with water or solvents or by wiping with sandpaper. The long term experience of CAISLEY's MultiFlex shows that the printing resists all these effects longer than seven years from delivery.


H. J. [Signature]

Chapter III

Technical Requirements for Swine Printed Ear Tags

We offer the MultiFlex P/P of the CAISLEY product family MultiFlex. This high quality ear tag meets the requested technical requirement in all points.



MultiFlex P/P, for swine, printed

15. General technical requirements

- 15.1. All ear tags of the MultiFlex-family, as well the offered MultiFlex P/P, are completely made of quality controlled thermoplastic polyurethane. All Parts of the ear tag are made of this base material, there are no other materials used. The material is specially designed to ensure the longevity and flexibility of the ear tag and not harm the animal's organism.
- 15.2. The ear tag will be attached with the Universal MultiFlex-Applicator placed between the cartilage strips at about half of the length of the animal's ear. This allows for durable attachment and good visibility of the ear tag flags, both from the front and from behind the animal. The special material composition ensures a very good colour stability and a dark colour change during laser marking. Thus, a high contrast and a good readability is given.

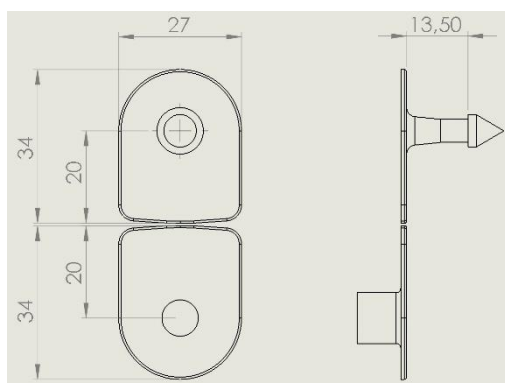
16. Shape and appearance

- 16.1. The offered MultiFlex P/P are yellow.
- 16.2. The ear tags will be printed according the specifications (Fig.6 of chapter 3 of the requirements (annex 2)) on the father part of the ear tag with the number range indicated in the technical specifications table.
- 16.3.
 - a. Every offered MultiFlex ear tags consists of two parts, one father part and one mother part.
 - b. The father part has a pin for piercing the ear.

- c. At the tip of the pin is a very hard insert to allow a precise and easy penetration of the ear tissue. When attaching the ear tag the pin of the ear tag is supported from the inside by the metal pin of the applicator. The other parts of the ear tag are made of a high flexible material.
- d. The offered MultiFlex P/P tags have ventilation holes in the pin of the father part and an open designed mother part, so ventilation for a good wound healing is given.
- e. The tip of the Pin has four cutting grooves, which also are designed to occur an easy and precise penetration of the tissue and a secure closing of the tag.
- f. The tip of the pin has an outer diameter of 7,2mm and is greater than the pole of the pin. This together with the accurate cutting principle of the locking-system of the MultiFlex ear tags occurs a clear ear hole that is greater than the pole of the pin, so the ear tag can rotate freely around the axis. The precise cutting and the design of the locking-system also allows the father part to rotate freely in the mother part.
- g. The mother part has an open junction channel and ventilation is given for a better wound healing.
- h. It is easy and clear to insert the tag parts in the applicator. The two jaws of the pliers represent the respective shape of the father part and the mother part, so the ear tag parts can be inserted only in a specific position. Transposition is not possible.
- i. The offered tag MultiFlex P/P has a smooth design. All margins and corners of the tag are rounded to fit comfortably to the animal's body and cause no damage.

17. Size

- 17.1. The mother part of the offered MultiFlex P/P ear tag has a height of 34mm and a width of 27mm. The distance of the locking to the lower margin is 20mm. The father part has a height of 34mm and also a width of 27mm. The distance between the flag of the father part and the tip of the pin is 13,5mm.



MultiFlex P/P, dimensions

- 17.2. The pin of the father part has a length of 13,5mm from the bottom to the tip so the distance of 13,5mm between the two connected parts is given.

- 17.3. The mother and the father part of the MultiFlex P/P have the same size and meet the required technical specifications (in Figure 5 of the requirements (Annex 2)) what means height is 34mm and with is 27mm.

18. Technical performance

The offered MultiFlex P/P ear tag meets the technical performance requirements.

- a. The ear tag is easily applicable with the Universal MultiFlex Applicator and no special skills of the user are required.
- b. It is easy and clear to insert the tag parts in the applicator. The two jaws of the pliers represent the respective shape of the father part and the mother part, so the ear tag parts can be inserted only in a specific position. Transposition is not possible.
- c. Applying the ear tag is only possible once. Every try to open the ear tag will cause a visible damage and a destruction of the locking system and it becomes impossible to use the tag twice.
- d. Due to the ventilation hole in the pin, the open design of the mother part, the free rotation of the two ear tag parts and the smooth design without sharp edges a good and fast wound healing is given.
- e. The special design of the locking system of the MultiFlex causes a clean cut of the ear tissue. The pin of the father part has a circumferential, very hard cutting edge, which together with the mother part cuts the tissue cleanly and does not crush it by pressure. This ensures that no skin is pressed into the mother part.

19. Resistance to traction

- 19.1. The means of connection of the offered MultiFlex P/P withstand axially forces of minimum 300N. For at least seven years from joining the ear tag will resist higher forces than 300N.
- 19.2. After application it is not possible to separate the two parts of the tag without a permanently damaging of the means of connection and it is not possible to reassemble the parts. The tag can be applied only once.

20. Resistance to temperatures

- a. The offered MultiFlex P/P ear tag is made of a thermoplastic polyurethane and resists temperatures between -30°C and +60°C and has a very good weather-, UV- and microbial resistance.
- b. The used material doesn't get brittle at temperatures below 0°C.
- c. It is very robust and very hard to be torn or damaged.
- d. For a good performance of the ear tag it is necessary that the material of the tag is flexible and durable. The material that is used for CAISLEY's MultiFlex tags is extensive and constantly checked and meets these requirements.
- e. The material is absolutely innocuous.
- f. Because the entire ear tag is made of the same base material and does not contain other materials (such as metal), it can easily be recycled. The material comply with laws and regulations to recycling.

- g. The ear tag is not reusable. After application it is not possible to separate the two parts of the tag without a permanently damaging of the means of connection and it is not possible to reassemble the parts.
- h. The MultiFlex does not adversely affect the wound healing process. Due to the ventilation in the locking system, the free rotation of the two ear tag parts and the smooth design without sharp edges a good and fast wound healing is given.

21. Resistance to abrasion

MultiFlex have a very dark laser printing with a high contrast and it isn't possible to remove the printing by washing with water or solvents or by wiping with sandpaper. The long term experience of CAISLEY's MultiFlex shows that the printing resists all these effects longer than seven years from delivery.

CHAPTER IV

Technical Requirements for Printed Ear Tags Packing

22. The offered MultiFlex L/L Tags for sheep will be delivered in strips of five father parts. Mother parts are supplied as single parts. Mother and father parts are prepacked seperatly into plastic bags with two compartments to 50 pieces. 200 plastic bags are packed into one box, so that a box contains eartags for 1000 animals.
23. The offered MultiFlex L/L Tags for goats will be delivered in strips of five father parts. Mother parts are supplied as single parts Mother and father parts are prepacked seperatly into plastic bags with two compartments to 50 pieces. 200 plastic bags are packed into one box, so that a box contains eartags for 1000 animals.
24. The offered MultiFlex P/P Tags for swine will be delivered in strips of five father parts. Mother parts are supplied as single parts. Mother and father parts are prepacked seperatly into plastic bags with two compartments to 50 pieces. 200 plastic bags are packed into one box, so that a box contains eartags for 1000 animals.

The offer will be accompanied by the specimen of the printed tags for each species.



CHAPTER V

Additional Requirements for all types of ear tags

25. Compatibility with the application equipment held by the beneficiary

- 25.1. All offered ear tags can be applied with the Universal MultiFlex Applicator. This Applicator is designed by CAISLEY to complement the good features and the benefit of the CAISLEY tags. It is compatible to the complete product range of FlexoPlus (bovine) and MultiFlex (sheep, goat, and swine). The Applicator and the tags are developed by CAISLEY so that is full compatibility guaranteed.
- 25.2. As stated in the accompanying letter, CAISLEY is the manufacturer of both, the offered eartags and the applicator MultiFlex, specified in the technical requirements. We hereby guarantee the compatibility of all offered MultiFlex eartags for sheep, goats and pigs are fully compatible with the specified applicator.



Specificații de preț (F4.2)

[Acest tabel va fi completat de către ofertant în coloanele 5,6,7,8, iar de către autoritatea contractantă – în coloanele 1,2,3,4,9,10]

Numărul procedurii de achiziție [ocds-b3wdp1-MD-1549653900063](#) din 08.02.2019

Denumirea procedurii de achiziție: Crotalii pentru animale

Cod CPV	Denumirea bunurilor	Unitatea de măsură	Cantitatea	Preț unitar (fără TVA)	Preț unitar (cu TVA)	Suma fără TVA	Suma cu TVA	Termenul de livrare	Clasificație bugetară (IBAN)
1	2	3	4	5	6	7	8	9	10
03340000-6	Lotul 1: Crotalii pentru animale								
1.1	Crotalii neimprimare Bovine	Bucată	60 000	0,4300 EUR		25.800,00 EUR		Până la 12.04.2019	MD21TRPCCC518430A01371AA
1.2	Crotalii imprimate Ovine	Bucată	50 000	0,0674 EUR		3.370,00 EUR		Până la 12.04.2019	MD21TRPCCC518430A01371AA
1.3	Crotalii imprimate Caprine	Bucată	50 000	0,0674 EUR		3.370,00 EUR		Până la 12.04.2019	MD21TRPCCC518430A01371AA
1.4	Crotalii imprimate Porcine	Bucată	500 000	0,0627 EUR		31.350,00 EUR		Până la 12.04.2019	MD21TRPCCC518430A01371AA
						63.890,00 EUR			

Semnat:  Numele, Prenumele: WINKELER, Henrik În calitate de: Managing Director

Ofertantul: CAISLEY International GmbH Adresa: Harderhook 31, 46395 Bocholt, Germany