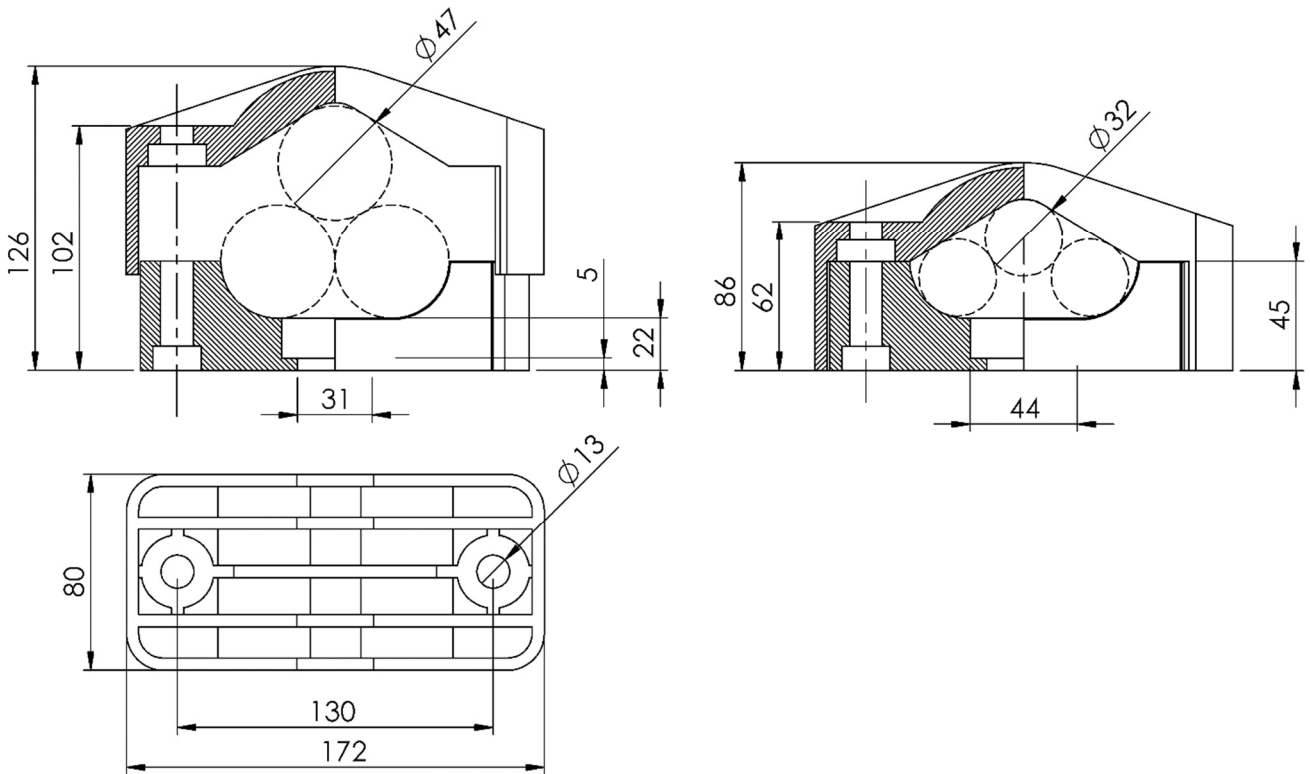


Technical data Sheet - Cable Clamps 3 x Ø 32-47 mm (with the hole in the base).
 Designation - **KO 3 32-47**



Product : according EN 61914 (tested by - 40 °C to 120 °C).
 Material: PA 6 GF 30, UV resistance, Flammability V0 available only optional.
 Color : black
 Weight : 0,49 Kg
 Bolts : M12 - available only optionally on request.