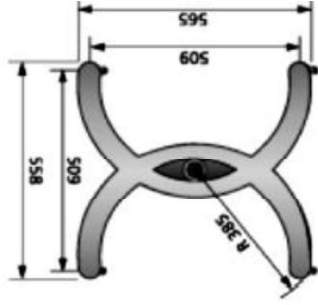


13.1.4 Trolley mounted configuration



**WEIGHTS AND DIMENSIONS**

<b>Base (1)</b>	• Dimensions	565x558x165 mm (WxDxH)
	• Weight	18 kg
<b>Vertical pole (10)</b>	• Height (to spring arm connection)	1700 mm
	• Weight	3.5 kg
<b>Spring arm (9)</b>	• Length	550 mm
	• Rotation	360°
	• Linear vertical excursion	1140 mm
	• Angular vertical excursion	90°
	• Linear horizontal excursion	760 mm
	• Angular horizontal excursion	60°
	• Weight	1.43 kg



**STARLED3 NX**  
Minor surgical lamp

**USER MANUAL**  
Document Code: 5410003  
Name: MU STARLED3 NX\_EN  
Rev: r2101  
Date: 19/05/2021