

2021 EDITION



AGRICULTURAL TIRES

petlas

Headquarters - Factory

Petlas Tire Industry and Trade
Kindam Mahallesi Ankara - Kayseri Caddesi
No: 2/1 Kırşehir / TURKEY
T: +90 386 252 65 50 • F: +90 386 252 65 70

Int. Sales & Marketing

Petlas Tire Industry and Trade Ako Kule
Söğütözü Mh. 2178. Cd. No: 6
06530 Ankara/TURKEY
T. +90 312 309 30 30 • F: +90 312 309 22 66

Petlas Tire USA

1111 E. Lincolnway STE 205
Cheyenne, WY 82001 USA

www.petlas.com

MADE IN TÜRKİYE

petlas
TRACK OF TRUST

Petlas Agricultural Tires are characterized by quality workmanship, leading edge technology, unique tread design and excellent performance, offering a mix of quality and value.

Our success depends on exceeding the expectations of our customers and standing behind everything we do.

Our aim is to build long term relationships with our customers by providing excellent service, quality and delivering our promises.

Premium Quality Agricultural Tires

DESCRIPTION

* For load capacity and inflation pressure figures on different speed rates, please consult the producer company.

**Load capacity on standard speed and standard load.

Our company is entitled to change any information in this catalogue without prior notice.

This catalogue overrides any previous catalogues

All figures are for reference; our company cannot be deemed responsible for printing errors.

***The visual content of the catalogue is only representative. To find the compatible tire for your car, please refer to the car service or authorized dealer.



RANGE OF PETLAS AGRICULTURAL TIRES

Tractor Front



TD 16



TD 17



TD 18



TP 8



TD 25



TD 35



TA 50



TA 60

Tractor Rear



TA 60



TZ 13



TA 300



TA 330

Tractor Radial



TA 110



TA 120
ROW CROP



TA 130



TA 130
IF Series



TA 140

Trailer / Implement



TA 60



VF HLT 45



NT 3



NT 30



PA 20



NB 27



NB 37



UN 1 (3 RIB)



UN 1 (5 RIB)



UN 3



UN 5



UN 7



UN 9



UN 11



STB 3

Radial Harvester / Harvester



TA 130
AGROPER



PB 140
AGROPER



UN 9



BD 60



BD 65



TA 330



UN 1 (5 RIB)

Flotation / Forestry



IMF 18



IMT 18



IMT 08



TD 16

Front tire for 2WD tractors appropriate for using on field and short distance road operations.

Offers long life thanks to its wear-resistant tread compound. Durable shoulders protect the tire effectively by increasing its resistance to any kind of damage. Special tread design keeps the tread free of mud.



■ ALL SIZES

5.50-16	6PR	TT	86A6
6.00-16	6PR	TT	88A6
6.50-16	6PR	TT	91A6
6.50-16	8PR	TT	97A6
7.50-16	6PR	TT	98A6
7.50-16	8PR	TT	103A6
6.00-19	6PR	TT	93A6
6.50-20	8PR	TT	108A6
6.50-20	10PR	TT	115A6
7.50-20	8PR	TT	108A6
7.50-20	10PR	TT	115A6



TD 17

Ideal 2WD tractor front tire with special 3Rib design.

The rib design provides ultimate steering performance during soil tillage operations and on soft and cultivated areas. Specially formulated tread compound and all steel carcass structure offer longevity. Flexible carcass structure prevents sinking. Special tread design provides efficient self-cleaning feature.



■ ALL SIZES

6.00-16	6PR	TT	88A6
7.50-16	8PR	TT	103A6
9.00-16	8PR	TT	111A6
11.00-16	8PR	TT	118A6



TD 18

Front tire for 2WD tractors suitable to be used on field and short distance road operations.

Improved tread compound enable high resistance against wears and cuts. Strong center and shoulder design improves durability towards side impacts and tread base fatigue. Tread pattern and flexible carcass structure provide excellent maneuverability without sinking into the soil. Special tread geometry provides easy steering.



ALL SIZES

6.50-16	6PR	TT	91A6
6.50-16	8PR	TT	97A6
7.50-18	8PR	TT	106A6
7.50-20	8PR	TT	108A6



TP 8

Front tire for 2WD tractors suitable to be used on field and short distance road operations.

Improved tread compound enable high resistance against wears and cuts. Strong center and shoulder design provides high resistance to side impacts and tread base fatigue. Tread pattern and flexible carcass structure provide excellent maneuverability without sinking into the soil. Special tread geometry provides easy steering.



■ ALL SIZES

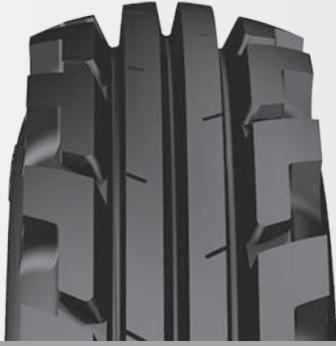
6.00-16	6PR	TT	88A6
7.50-16	8PR	TT	103A6



TD 25

Front tire for 2WD tractors suitable to be used on field and short distance road operations.

Solid tread center structure and strong nylon carcass enhances durability. Durable shoulders protect the tire effectively by increasing its resistance to any kind of damage. The strong and flexible carcass structure that prevents sinking into the soil also ensures long life.



ALL SIZES

6.00-16	6PR	TT	88A6
6.00-16	10PR	TT	98A6
6.50-16	6PR	TT	91A6
6.50-16	8PR	TT	97A6
7.50-16	8PR	TT	103A6



TD 35

Ideal 2WD tractor front tire with special 3Rib design.

The rib design provides ultimate steering performance during soil tillage operations and on soft and cultivated areas. Specially formulated tread compound and all steel carcass structure offer longevity. Flexible carcass structure prevents sinking into the soil. Special tread design provides efficient self-cleaning feature.



■ SIZE

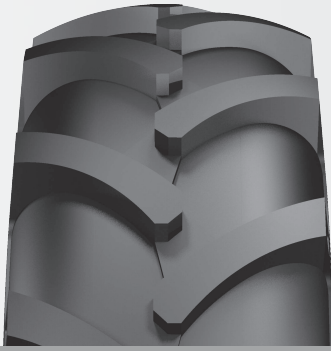
10.00-16 8PR TT 114A6



TA 50

High traction R1 tractor front tire for medium and low powered tractors.

Wide and strong body provides easy grip and high traction. Tread profile provides outstanding durability to tread base fatigue. Highly resistant to cuts and wears. Offers effective self-cleaning feature and grip performance during tillage operations by its special tread geometry.



ALL SIZES

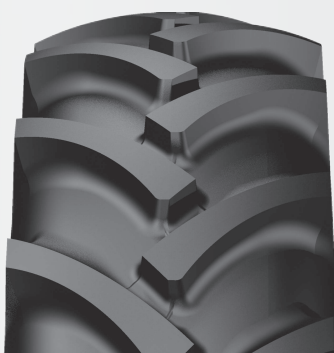
6.5/80-12	6PR	TL	80A6
6.5/80-13	6PR	TT	94A6



TA 60

High traction R1 tractor front tire for medium and low powered tractors.

Offers long service life thanks to its wear resistant tread compound. Tread profile enables high resistance to tread base fatigue. The wide and long lugs provide comfortable drive while improving grip performance. Wide and strong body ensures ultimate grip and high traction. Special tread geometry offers efficient self-cleaning feature.



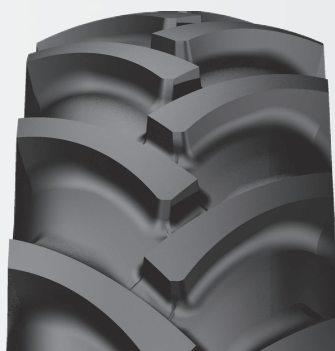
ALL SIZES

5.00-10	4PR	TT	70/58A6
5.00-12	4PR	TT	62/A6
6.5/80-12	6PR	TT	80/A6
7.00-12	6PR	TT	83/A6
10.0/80-12	6PR	TT/TL	98/A6
5.00-15	6PR	TT	88/A6
6.00-16	6PR	TT	88/A6
6.50-16	6PR	TT	91/A6
7.50-16	8PR	TT	103/A6
7.00-18	8PR	TT	106/A6
7.50-18	8PR	TT	106/A6
7.50-20	8PR	TT	108/A6
8.00-20	8PR	TT	113/A6
9.50-20	8PR	TT	107/A6

TA 60

High traction R1 tractor rear tire for medium and low powered tractors.

The wide and long lugs provide comfortable drive while improving grip performance. Offers long service life thanks to its wear resistant tread compound. Wide and strong body provides ultimate grip and high traction. Tread profile enables high resistance to tread base fatigue. Special tread geometry provides efficient self-cleaning feature.



ALL SIZES

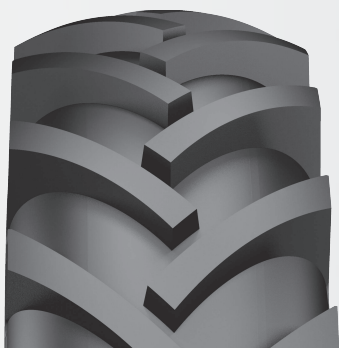
8.3-24	8PR	TT	108A6	16.9/14-30	14PR	TT	144A6
9.5-24	8PR	TT	112A6	18.4/15-30	6PR	TT	134A6
11.2-24	8PR	TT	116A6	18.4/15-30	8PR	TT	139A6
11.2-28	8PR	TT	118A6	18.4/15-30	10PR	TT	145A6
14.9/13-24*	8PR	TT	128A6	18.4/15-30	12PR	TT	149A6
14.9/13-24	4PR	TL	112A6	18.4/15-30	14PR	TT	151A6
14.9/13-24	4PR	TT	112A6	12.4/11-32	8PR	TT	124A6
14.9/13-24	6PR	TT	123A6	16.9/14-34	8PR	TT	139A6
14.9/13-24	8PR	TT	128A6	16.9/14-34	10PR	TT	142A6
14.9/13-24	10PR	TT	134A6	16.9/14-34	12PR	TT	145A6
14.9/13-24	14PR	TT	142A6	16.9/14-34	14PR	TT	148A6
12.4/11-24	6PR	TT	115A6	18.4/15-34	8PR	TT	141A6
12.4/11-24	8PR	TT	120A6	18.4/15-34	10PR	TT	146A6
12.4/11-24	12PR	TT	128A6	18.4/15-34	12PR	TT	151A6
13.6/12-24	8PR	TT	123A6	18.4/15-34	14PR	TT	156A6
18.4/15-26	12PR	TT	146A6	12.4/11-36	8PR	TT	126A6
18.4/15-26	14PR	TT	149A6	12.4/11-36	14PR	TT	139A6
18.4/15-26	12PR	TL	146A6	13.6/12-36	6PR	TT	125A6
12.4/11-28	6PR	TT	117A6	13.6/12-36	8PR	TT	129A6
12.4/11-28	8PR	TT	122A6	13.6/12-38	8PR	TT	131A6
13.6/12-28	6PR	TT	121A6	13.6/12-38	14PR	TT	142A6
13.6/12-28	8PR	TT	125A6	14.00-38	8PR	TT	131A6
14.9/13-28	6PR	TT	125A6	14.00-38	10PR	TT	136A6
14.9/13-28	8PR	TT	130A6	15.5-38	8PR	TT	133A6
16.9/14-28	8PR	TT	135A6	15.5-38	10PR	TT	138A6
16.9/14-28	10PR	TT	139A6	15.5-38	12PR	TT	142A6
16.9/14-28	12PR	TT	143A6	15.5-38	14PR	TT	145A6
14.9/13-30	8PR	TT	131A6	16.9/14-38	8PR	TT	141A6
14.9/13-30	10PR	TT	135A6	16.9/14-38	10PR	TT	144A6
16.9/14-30	8PR	TT	137A6	16.9/14-38	12PR	TT	142A6
16.9/14-30	10PR	TT	139A6	18.4-38	8PR	TT	143A6
16.9/14-30	12PR	TT	143A6	18.4-38	10PR	TT	147A6

* IRRIGATION TIRE

TZ 13

Tractor rear tire for field operations.

Strong nylon carcass structure provides optimum durability. Resistant to cuts and wears thanks to its special compound. High lugs provide excellent traction at all operating conditions. Offers safe handling on steep or hilly grounds.



■ ALL SIZES

12.4/11-28	8PR	TT	122A6
16.9/14-30	10PR	TT	139A6
16.9/14-30	12PR	TT	144A6



TA 300

R1 tractor rear tire.

Special lug design provides maximum traction while simultaneously offering excellent self-cleaning feature. Strong nylon carcass structure provides optimum durability. Open center pattern ensures high resistance to tread base fatigue. Resistant to cuts and wears thanks to its special compound. Ensures handling stability on steep or hilly grounds.



ALL SIZES

9.5-24	8PR	TT	112A6
11.2-24	8PR	TT	116A6
14.9/13-24	8PR	TT	128A6
12.4/11-24	8PR	TT	120A6
12.4/11-24	10PR	TT	124A6
13.6/12-24	8PR	TT	123A6
12.4/11-28	8PR	TT	122A6
13.6/12-28	8PR	TT	125A6
14.9/13-28	8PR	TT	130A6
14.9/13-30	8PR	TT	131A6
16.9/14-30	10PR	TT	139A6
16.9/14-34	8PR	TT	139A6
18.4/15-30	8PR	TT	139A6
18.4/15-30	10PR	TT	145A6
18.4/15-30	12PR	TT	149A6
18.4/15-30	14PR	TT	151A6
18.4/15-34	8PR	TT	141A6
12.4/11-36	8PR	TT	126A6
13.6/12-36	8PR	TT	129A6
16.9/14-38	8PR	TT	141A6

TA 330

R1 tractor rear tire.

Provides superior performance on tough terrains with its specially designed tread pattern. The unique lug design prevents any kind of crop damage and provides easy cleaning feature during field operations. Wide and reinforced body provides perfect grip, high traction and reduced slippage. Exceptional carcass structure provides optimum durability. Tread profile with extra wide tread base ensures perfect resistance to tread base fatigue.



SIZE

30.5L-32 12PR TL 158A8



TA 110

General purpose R1W tractor radial tire.

Wider footprint offers lower soil compaction. Special structure improves flotation on soft terrains and ensures a comfortable ride at all operating conditions. Low rolling resistance leads to maximum fuel efficiency. Unique tread design provides exceptional traction and ensures maximum performance. Special tread compound provides high level of resistance against wear and cuts. Tread profile enhances durability to tread base fatigue. Offers excellent self-cleaning feature.



ALL SIZES

9.5 R20	TL	108A8/105B
280/85 R20 (11.2 R20)	TL	112A8/109B
320/85 R20 (12.4 R20)	TL	119A8/116B
9.5 R24	TL	107A8/104B
280/85 R24 (11.2 R24)	TL	115A8/112B
320/85 R24 (12.4 R24)	TL	122A8/119B
340/85 R24 (13.6 R24)	TL	125A8/122B
380/85 R24 (14.9 R24)	TL	131A8/128B
420/85 R24 (16.9 R24)	TL	137A8/134B
280/85 R28 (11.2 R28)	TL	118A8/115B
320/85 R28 (12.4 R28)	TL	124A8/121B
340/85 R28 (13.6 R28)	TL	127A8/124B
380/85 R28 (14.9 R28)	TL	133A8/130B
420/85 R28 (16.9 R28)	TL	139A8/136B
380/85 R30 (14.9 R30)	TL	135A8/132B
420/85 R30 (16.9 R30)	TL	140A8/137B
460/85 R30 (18.4 R30)	TL	145A8/142B
320/85 R32 (12.4 R32)	TL	126A8
380/85 R34 (14.9 R34)	TL	137A8/137B
420/85 R34 (16.9 R34)	TL	142A8/139B
460/85 R34 (18.4 R34)	TL	147A8/144B
320/85 R36 (12.4 R36)	TL	128A8/125B
340/85 R36 (13.6 R36)	TL	132A8/129B
320/85 R38 (12.4 R38)	TL	143A8/143B
340/85 R38 (13.6 R38)	TL	133A8/130B
380/85 R38 (14.9 R38)	TL	139A8/136B
420/85 R38 (16.9 R38)	TL	144A8/141B
460/85 R38 (18.4 R38)	TL	149A8/146B
460/85 R38 (18.4 R38) RF	TL	149A8/146B
520/85 R38 (20.8 R38)	TL	155A8/152B
520/85 R38 (20.8 R38) RF	TL	155A8/152B

TRACTOR RADIAL

520/85 R42 (20.8 R42)	TL	157A8/157B
520/85 R42 (20.8 R42) RF	TL	162A8
520/85 R46 (20.8 R46)	TL	158A8/155B
650/85 R38	TL	173A8/173B
260/80 R20 (8.00 R20)	TL	106A8/103B
480/80 R38 (18.4 R38)	TL	149A8
480/80 R42 (18.4 R42)	TL	151A8/148B
480/80 R46 (18.4 R46)	TL	158A8/158B
480/80 R50 (18.4 R50)	TL	159A8/159B
200/70 R16	TL	94A8
240/70 R16 (6.00 R16)	TL	104A8/101B
260/70 R16 (6.50 R16)	TL	109A8/106B
260/70 R20 (6.50 R20)	TL	113A8/113B
280/70 R16 (7.50 R16)	TL	112A8/112B
280/70 R18 (7.50 R18)	TL	114A8/114B
280/70 R20 (7.50 R20)	TL	116A8/116B
300/70 R20 (9.50 R20)	TL	110A8/110B
320/70 R20 (11.2 R20)	TL	113A8/113B
360/70 R20 (12.4 R20)	TL	120A8/117B
380/70 R20 (13.6 R20)	TL	132A8
320/70 R24 (11.2 R24)	TL	116A8/113B
360/70 R24 (12.4 R24)	TL	122A8/119B
380/70 R24 (13.6 R24)	TL	125A8/125B
420/70 R24 (14.9 R24)	TL	130A8/127B
480/70 R24 (16.9 R24)	TL	138A8/135B
480/70 R26 (16.9 R26)	TL	139A8/136B
320/70 R28 (11.2 R28)	TL	119A8/116B
360/70 R28 (12.4 R28)	TL	125A8/122B
380/70 R28 (13.6 R28)	TL	127A8/124B
420/70 R28 (14.9 R28)	TL	133A8/130B
480/70 R28 (16.9 R28)	TL	140A8/140B
420/70 R30 (14.9 R30)	TL	134A8/131B
480/70 R30 (16.9 R30)	TL	141A8/138B
520/70 R30 (18.4 R30)	TL	145A8/142B
480/70 R34 (16.9 R34)	TL	143A8/140B
520/70 R34 (18.4 R34)	TL	148A8/145B
480/70 R38 (16.9 R38)	TL	145A8/142B
520/70 R38 (18.4 R38)	TL	150A8/147B
580/70 R38 (20.8 R38)	TL	155A8/152B
580/70 R42 (20.8 R42)	TL	158A8
420/65 R24 (12.4 R24)	TL	126D
440/65 R24 (13.6 R24)	TL	128D/131A8
440/65 R24 (13.6 R24)	TL	135D/138A8
480/65 R24 (14.9 R24)	TL	133D/136A8
480/65 R24 (14.9 R24)	TL	140D/143A8
540/65 R24 (16.9 R24)	TL	140D/143A8
540/65 R24 (16.9 R24)	TL	146D/149A8
440/65 R28 (13.6 R28)	TL	131D/134A8
440/65 R28 (13.6 R28)	TL	138D/141A8
480/65 R28 (14.9 R28)	TL	136D/139A8
480/65 R28 (14.9 R28)	TL	142D/145A8
540/65 R28 (16.9 R28)	TL	149D/152A8
540/65 R30 (16.9 R30)	TL	150D/153A8
540/65 R34 (16.9 R34)	TL	145D/148A8
540/65 R34 (16.9 R34)	TL	152D/155A8
540/65 R38 (16.9 R38)	TL	147D/150A8
540/65 R38 (16.9 R38)	TL	153D/156A8
600/65 R34 (18.4 R34)	TL	151D/154A8
600/65 R34 (18.4 R34)	TL	157D/160A8
600/65 R38 (18.4 R38)	TL	159D/162A8
650/65 R38	TL	163D/166A8

RF: REINFORCED



petlas

TA 120

General purpose R1W row crop tractor and sprayer tire.

Narrow profile protects the crop from damages. Robust carcass structure enables maximum performance under heavy loads. Deep lugs and special tread compound ensure longevity. Special tread compound provides high resistance against wear and cuts. Tread design enhances self-cleaning capability and reduces slippage.



ALL SIZES

210/95 R32 (8.3 R32)	TL	114A8/114B
210/95 R32 (8.3 R32)	TL	120A8/120B
230/95 R32 (9.5 R32)	TL	126A8/126B
270/95 R32 (11.2 R32)	TL	136A8/136B
210/95 R36 (8.3 R36)	TL	116A8/116B
230/95 R36 (9.5 R36)	TL	128A8/128B
270/95 R38 (11.2 R38)	TL	140A8/140B
230/95 R40 (9.5 R40)	TL	122A8/122B
210/95 R44 (8.3 R44)	TL	120A8/120B
230/95 R44 (9.5 R44)	TL	132A8/132B
270/95 R44 (11.2 R44)	TL	142A8/142B
300/95 R46 (12.4 R46)	TL	148A8/148B
230/95 R48 (9.5 R48)	TL	136A2
270/95 R48 (11.2 R48)	TL	144A8/144B
270/95 R54 (11.2 R54)	TL	157A2
300/95 R52 (12.4 R52)	TL	156D
380/90 R46	TL	159D
340/85 R48	TL	151D

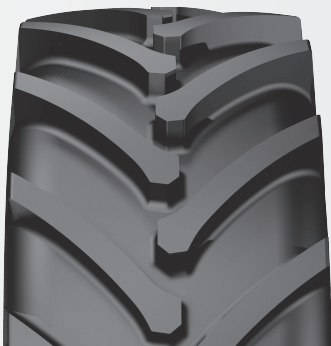


TRACTOR RADIAL

TA 130

R1W tire for high power tractors.

Designed to transfer torque power to the ground effectively on any terrain. Special tread geometry reduces slippage by improving traction which in turn, leads to significant fuel savings. Wider footprint and optimized lug angle contributes to crop productivity by minimizing soil compaction. Elastic structure absorbs impacts and demonstrates better flotation. Strong carcass and high-quality tread compound ensure longer service life and enable maximum performance under heavy loads. Provides driving comfort both on the road and the field.



ALL SIZES

600/70 R28	TL	161D
600/70 R30 (23.1 R26)	TL	158D
600/70 R34	TL	160D
710/70 R38	TL	171D
800/70 R38	TL	178D
620/70 R42	TL	166D
710/70 R42	TL	173D
600/65 R28 (18.4 R28)	TL	154D/157A8
600/65 R42 (18.4 R42)	TL	154D/157A8
650/65 R42 (20.8 R42)	TL	170D



petlas

TA 130 IF Series

R1W tire for high power tractors.

Demonstrates superior performance under heavy loads with lower pressure compared to traditional radial tires. Lower inflation pressure and sidewall flexibility improves driving comfort. Special tread design provides exceptional traction. Highly flexible sidewalls and large footprint offer lower soil compaction. Elastic structure effectively protects the tire by absorbing impacts. Strong carcass and special tread compound ensure longer service life.



ALL SIZES

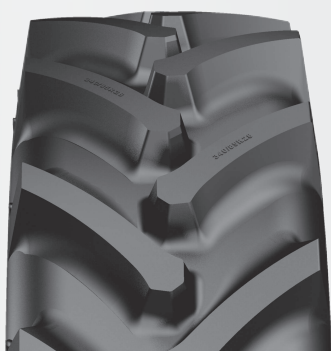
600/70 R30	TL	165D
800/70 R38	TL	184D



TA 140

General purpose R1W tractor front and rear tire.

Offers durability for a wide spectrum of applications. Special tread compound offers longevity by improving the tire resistance against wear and cuts. Wide footprint leads to lower soil compaction. Prevents slipping on all terrains and thus, contributes to steering balance. Elastic structure prevents sinking into the soil and protects the tire by absorbing impacts effectively.



SIZE

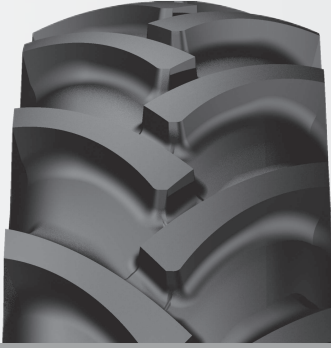
340/85 R28 (13.6 R28) TL 127A8/124B



TA 60

General purpose trailer tire.

Offers long service life thanks to its wear resistant tread compound. Tread profile enables high resistance to tread base fatigue. The wide and long lugs provide comfortable drive while improving grip performance. Wide and strong body ensures ultimate grip and high traction. Special tread geometry offers efficient self-cleaning feature.



■ ALL SIZES

10.0/75-15.3	12PR	TT	114/A6
11.5/80-15.3	12PR	TT	123/A6
11.5/80-15.3	12PR	TL	123/A6



VF HLT 45

Multipurpose VF (Very High Flexion) all steel radial tire designed hold up to heavier loads.

Thanks to VF (Very High Flexion) technology, carries more load with equal pressure levels and same load with less pressure when compared to conventional tires. Tread compound provides resistance to cuts and wears on asphalt, hard soil and concrete roads. Wide footprint provides lower soil compaction. Protects crops effectively with the help of its high flexion feature. Special carcass structure offers high endurance against stubble impacts and fissures.



■ SIZE

VF 285/70 R19.5 TL 150D



NT 3

Traction type trailer tire with high resistance.

Suitable for transport and soil tillage operations. Special tread and carcass structure offers high load capacity. Wide and deeper tread design provides high resistance against cuts and tread fatigue.



ALL SIZES

9.00-16	12PR	TL	125A6
9.00-16	12PR	TT	125A6
9.00-16	14PR	TT	128A6
9.00-16	16PR	TT	131A6
11.5/80-15.3	16PR	TL	141A8



NT 30

Flexible and durable trailer tire.

Special tread and carcass structure offers high load capacity on soft surfaces. Offers high resistance against cuts and stubble puncture thanks to its specially developed tread compound and geometry. Flexible carcass structure prevents sinking into the soil while protecting the tire by absorbing impacts.



■ ALL SIZES

9.00-16	12PR	TT	125A6
9.00-16	14PR	TT	128A6
9.00-16	16PR	TT	131A6



PA 20

Traction type trailer tire.

Suitable for short period transport along with field use. Special tread and carcass structure offer high load capacity. Offers high resistance against lug fatigue and tread wear thanks to its specially developed tread compound and geometry.



■ SIZE

8.25-20 14PR TT 133A6



NB 27

Traction type trailer tire.

Special tread and carcass structure offers high load capacity. Flexible carcass structure prevents sinking into the soil while protecting the tire by absorbing side impacts. Offers high resistance against lug fatigue and tread wear thanks to its specially developed tread compound and geometry.



SIZE

9.00-20 14PR TT 133A6



NB 37

Traction type trailer tire with high resistance.

Reinforced sidewalls provide durability and protect the tire from side impacts. Special tread depth and geometry offers high resistance to cuts and tread wear. Offers high load capacity and outstanding self-cleaning feature.



■ SIZE

7.50-16 12PR TT 121A6



UN1 (3 RIB)

The ideal trailer tire for high load capacity with minimum soil compaction.

Offers high loading capacity with minimum soil compaction thanks to special three-rib tread design. Reinforced carcass structure ensures longevity by improving resistance against cuts and wears. Offers excellent self-cleaning features.



■ SIZE

7.50-16 10PR TT 116A6



UN 1 (5 RIB)

Modern harvester and trailer tire.

Demonstrates low dynamic rotating resistance thanks to its 5 Rib design. Suitable for short period transport and field use. Wide base area prevents slides to sides and sinking into the soil. Special tread design and structure ensures high resistance against cuts and wears.



■ ALL SIZES

10.5/65-16	10PR	TT	123A8
340/55-16	12PR	TL	140A8
10.5/80-18	14PR	TT	142A8
12.5/80-18	14PR	TT	146A8
13.0/65-18	14PR	TT	141A8
10.0/75-15.3	10PR	TT	123A8
10.0/75-15.3	14PR	TL	130A8
11.5/80-15.3	12PR	TT	135A6
11.5/80-15.3	12PR	TL	135A8
11.5/80-15.3	14PR	TL	139A8
12.5/80-15.3	12PR	TL	139A8
12.5/80-15.3	16PR	TL	144A8
400/60-15.5	14PR	TL	145A8
400/60-15.5	16PR	TL	147A8
15.0/55-17	14PR	TL	137A8
19.0/45-17	12PR	TL	141A8
500/50-17	14PR	TL	149A8
10.0/75-15.3	10PR	TL	123A8
10.0/75-15.3	12PR	TL	126A8
11.5/80-15.3	12PR	TL	135A8
12.5/80-15.3	12PR	TL	139A8

UN 3

General purpose trailer tire.

Provides high traction and leads to less soil compaction with its wide base area. Ensures perfect balance on soft terrains by preventing slide to sides. Offers resistance against cuts and wear with specially designed tread geometry. Special tread and carcass structure offers high load capacity.



ALL SIZES

10.0/75-15.3	12PR	TL	126A8
260/70-15.3	12PR	TL	126A8
11.5/80-15.3	12PR	TL	137A8
12.5/80-15.3	12PR	TL	141A8



UN 5

General purpose trailer tire.

Special tread and carcass structure offers high load capacity. Minimizes soil compaction with its wide base area, providing high traction on soft terrains. Ensures perfect balance on soft surfaces by preventing slides to sides. Offers high resistance against cuts and tread wear with unique tread geometry.



■ ALL SIZES

10.0/80-12	10PR	TT	122/A8
10.0/80-12	10PR	TL	122/A8



UN 7

Trailer tire designed for free rolling axle.

Special Low Section Height profile design ensures high performance. Wide tread design provides high flotation capability. Offers heavy load capacity and long service life with its durable carcass structure design. Special tread compound provides outstanding resistance against stubble punctures and cuts.



ALL SIZES

9.5L-14SL	8PR	TL	111B
9.5L-15SL	8PR	TT	112B
9.5L-15SL	8PR	TL	112B
9.5L-15SL	12PR	TL	121B
11L-15SL	8PR	TL	113B
11L-15SL	12PR	TL	121B
12.5L-15SL	12PR	TL	127B

UNDER DEVELOPMENT SIZES

11L-15SL	10PR	118B
12.5L-15SL	8PR	119B
12.5L-15SL	10PR	123B



UN 9

Trailer tire.

Stable central tread section with open shoulder design enhances comfort and improves longevity. Low rolling resistance leads to maximum efficiency in fuel consumption. Strong sidewall construction and durable bead structure provides excellent protection against all kinds of damage. Offers excellent floatation and self-cleaning features.



■ ALL SIZES

16.0/70-20	14PR	TL	154A8/142A8
400/70-20	14PR	TL	154A8/142A8



UN 11

Free rolling tire designed to use on agricultural trailers and balers.

Delivers outstanding durability feature even under low air pressure and heavy load with its strong carcass structure. Protect crops with low soil compaction feature. Offers excellent flotation as rounded shoulders and wider base spread load on the surface. Enables driving comfort and fuel efficiency. Delivers excellent self-cleaning capability thanks to its wide grooves.



ALL SIZES

500/50-17	16PR	TL	152A8/139A8
-----------	------	----	-------------

500/50-17	18PR	TL	157A8/145A8
-----------	------	----	-------------



STB 3

Trailer tire designed for free rolling axle.

Special tread compound provides excellent resistance against stubble punctures and cuts. Durable carcass structure improves longevity. Ensures high performance with its Low Section Height profile design. Delivers high flotation capability thanks to its wide tread design. Special carcass design supports heavy load capacity.



■ SIZE

10.0/75-15.3 12PR TL 126A9



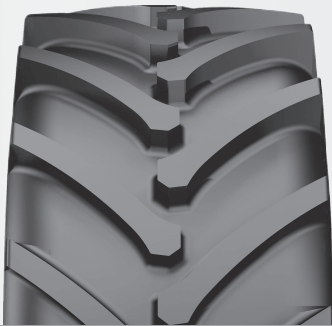
Aramid Belted

RADIAL HARVESTER

TA 130 AGROPER

R1W Harvester tire with aramid belted structure.

Aramid belt technology provides extra protection against stubble damage and ground impacts compared to steel and fabric alternatives. Reinforced bead structure ensures long life by improving the tire's endurance. Special tread design enables exceptional traction and better handling on the field. Wider footprint and optimized lug angle minimize soil compaction and avoid crop damage. Perfect performance under heavy loads with lower pressure compared to traditional radial tire construction. Elastic structure absorbs impacts and yields better flotation. Special tread compound offers high resistance against punctures.



■ ALL SIZES

620/75 R26 (23.1 R26)*	TL	166A8/166B
620/75 R26 (23.1 R26)	TL	166A8/166B
620/75 R30 (23.1 R30)*	TL	169A8/B
620/75 R30 (23.1 R30)	TL	169A8/B
650/75 R32 (24.5 R32)*	TL	172A8/172B
650/75 R32 (24.5 R32)	TL	172A8/172B
800/65 R32 (30.5 R32)*	TL	178A8/178B
800/65 R32 (30.5 R32)	TL	178A8/178B

* ARAMID BELTED



petlas

PB 140 AGROPER

Modern radial harvester tire.

Offers outstanding traction on hard and soft terrains. Low rolling resistance feature improves efficiency in fuel consumption. Strong construction not only improves the tire's endurance, but also provides excellent performance. Offers high load capacity and minimum soil compaction. Special tread compound extends service life regardless of the softness or hardness of the ground.



■ SIZE

400/70 R20 TL 158A8/146A8



UN 9

Harvester rear and trailer tire.

Stable central tread section with open shoulder design enhances comfort and improves longevity. Low rolling resistance leads to maximum efficiency in fuel consumption. Strong sidewall construction and durable bead structure provides excellent protection against all kinds of damage. Offers excellent flotation and self-cleaning features.



■ ALL SIZES

16.0/70-20	14PR	TL	154A8/142A8
400/70-20	14PR	TL	154A8/142A8



BD 60

Harvester tire.

Offers maximum cost efficiency in terms of both field and road performance. Suitable for heavy duty operations without causing any damage to the crops. Offers outstanding comfort and excellent traction throughout its service life thanks to its aggressive lug design. Special tread compound and strong durable carcass structure provide high resistance against cuts and wears. Unique lug geometry keeps the tread pattern free from mud.



■ SIZE

18.4/15-30 16PR TT 153A6



BD 65

Harvester tire.

Strong carcass structure supports high load capacity. Unique lug design and geometry offer outstanding traction and self-cleaning features. Strong durable carcass structure and special tread compound improve resistance against cuts and wears.



■ ALL SIZES

23.1-26	12PR	TT	153A6
23.1-26	14PR	TL	156A6
23.1-26	18PR	TL	162A6
23.1-30	14PR	TL	154A6
23.1-30	12PR	TT	151A6
23.1-30	18PR	TL	160A6
20.8-38	14PR	TT	159A6
20.8-38	14PR	TL	159A6



TA 330

R1 tire designed for harvester applications.

Specially designed tread pattern provides superior traction with minimum soil compaction without causing any damage on the crops. Optimum lug frequency reduces vibration. Specially developed tread compound and lug geometry offer high resistance against lug fatigue and tread wear. Reinforced sidewalls enhance durability against cuts and impacts. Offers high load capacity.



■ SIZE

30.5L-32	18PR	TL	170A6
----------	------	----	-------



UN 1 (5 RIB)

Modern harvester tire.

Demonstrates low dynamic rotating resistance thanks to its 5 Rib design. Suitable for short period transport and field use. Wide tread contact area prevents slides to sides and sinking into the soil. Special tread design and structure ensure high resistance against cuts and wears.



■ SIZE

12.5/80-18 14PR TT 146A8



IMF 18

General purpose flotation tire

Non-aggressive pattern is designed to ensure perfect balance with excellent grip on even the softest terrains and offer larger footprint to minimize soil compaction. Strong tread and shoulder structure enable high load capacity. Special sidewall compound protects the tire by effectively absorbing side impacts.



■ ALL SIZES

12.5/80-15.3	16PR	TL	144A8
12.5/80-15.3 RF	12PR	TL	141A8
400/60-15.5	14PR	TL	145A8
400/60-15.5	16PR	TL	153/149A6
400/60-15.5	18PR	TL	155/151A6
500/60-22.5	16PR	TL	163A8/159B
550/60-22.5	16PR	TL	167A8/163B
600/50-22.5	16PR	TL	165A8/161B

RF: REINFORCED



IMT 18

General purpose forestry tire.

Non-aggressive pattern is designed to ensure perfect balance with excellent grip on even the softest terrains and offer larger footprint which to minimize soil compaction and protect the crops. Reinforced tread and shoulder compound along with durable carcass structure enable high load capacity and improve durability for tough forest conditions. Special sidewall compound protects the tire by effectively absorbing side impacts.



ALL SIZES

400/60-15.5	18PR	TL	155/151A6
500/60-22.5	16PR	TL	163A8/159B
550/60-22.5	16PR	TL	167A8/163B
600/50-22.5	16PR	TL	165A8/161B



IMT 08

General purpose forestry tire.

Absorbs side impacts with its special sidewall compound and grips the soil perfectly, preventing slides to sides. Non-aggressive pattern is designed to ensure perfect balance with excellent grip on even the softest terrains and offer larger footprint to minimize soil compaction. Strong tread and shoulder structure enable high load capacity. Reinforced sidewall compound improves resistance against side impacts.



■ ALL SIZES

500/60-22.5	16PR	TL	159/147 A8
550/60-22.5	16PR	TL	167/155 A8
600/50-22.5	16PR	TL	156/144 A8

