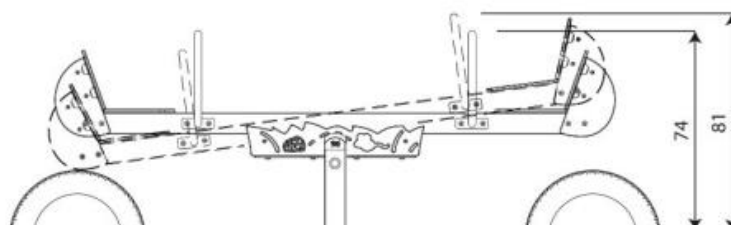


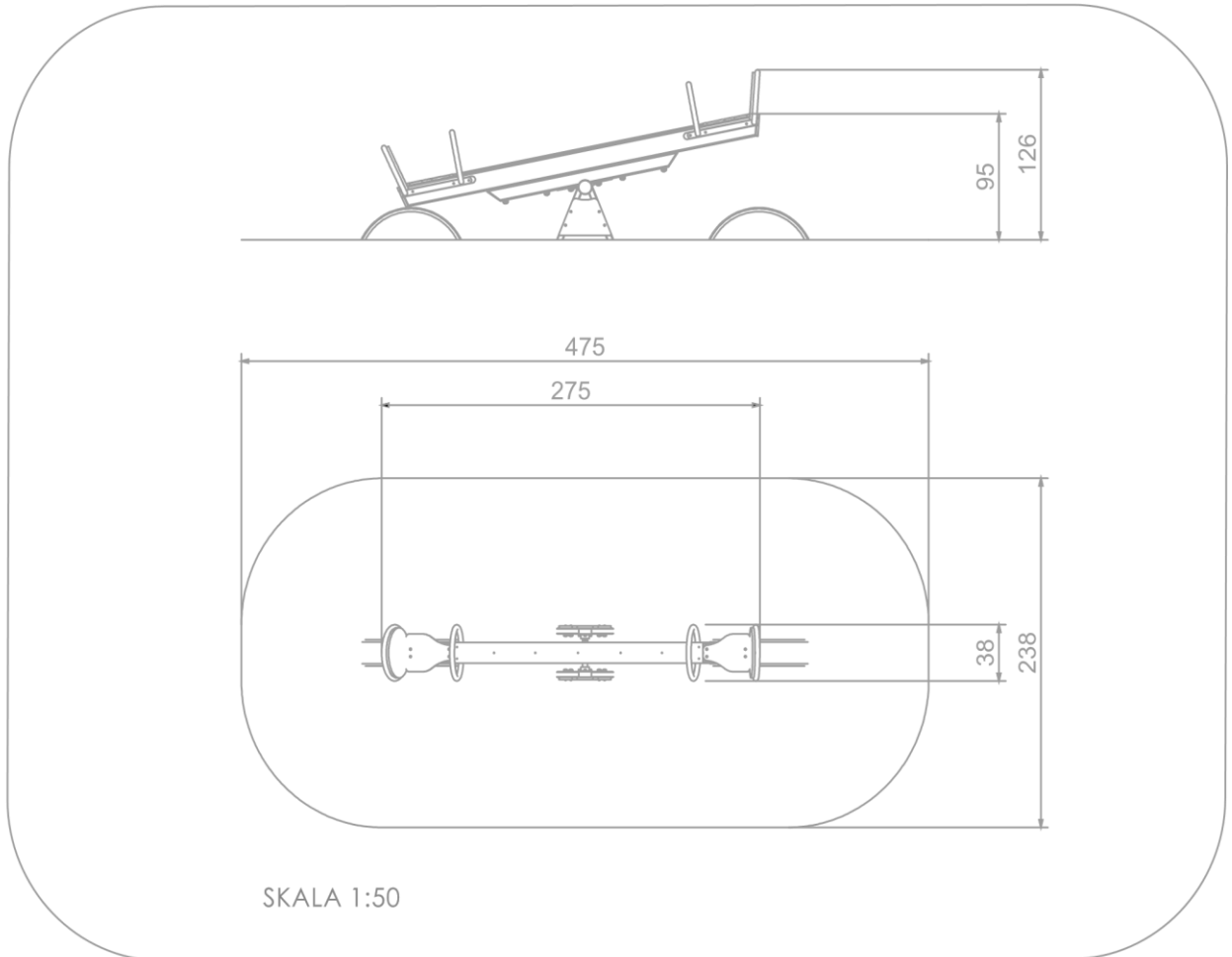


INFORMATION ABOUT THE PRODUCT

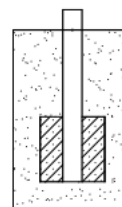
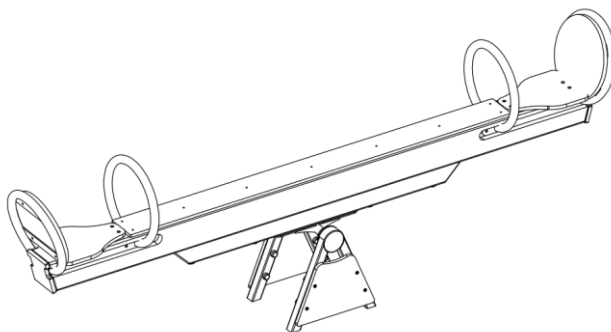
Dimensions	38 x 275 cm
Safety zone	238 x 475 cm
Safety zone area	11 m ²
Overall height	126 cm
Free fall height	95 cm
Amount of users	2
Product complies with EN 1176-1:2017-12	YES
Availability of spare parts	YES
Age range	3-12

According to EN 1176-1:2017-12 norm, the product requires applying a safety surface according to the product's free fall height.

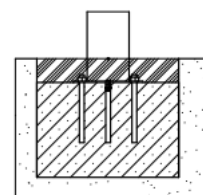




MATERIAŁY:

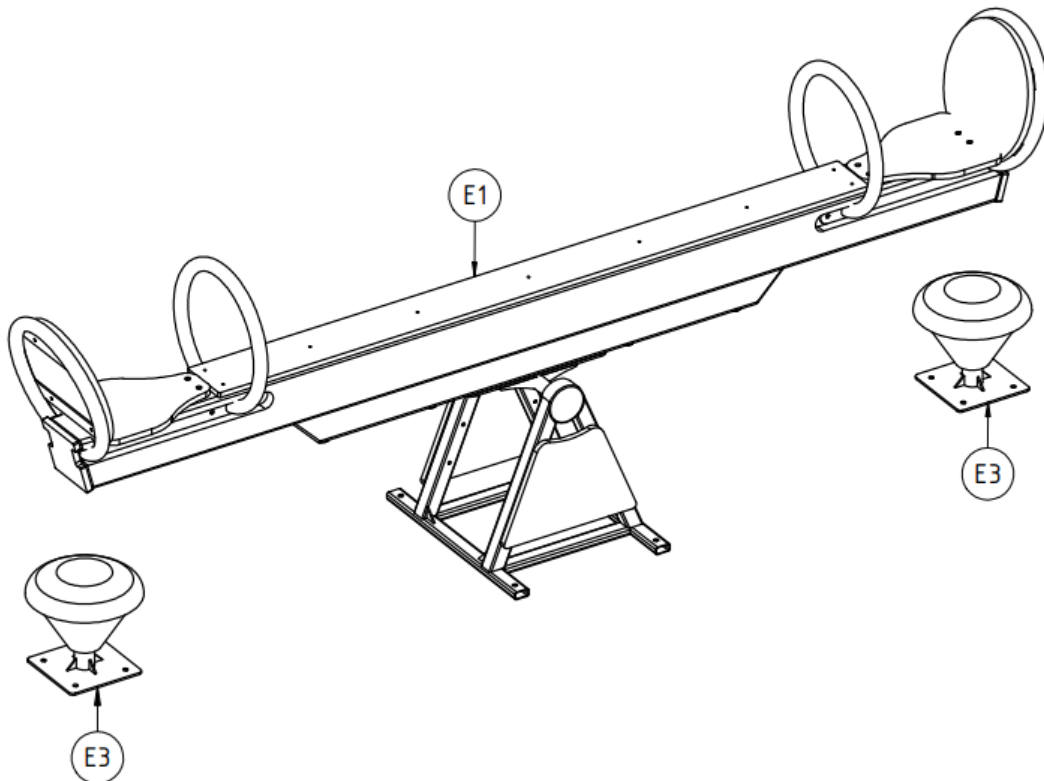
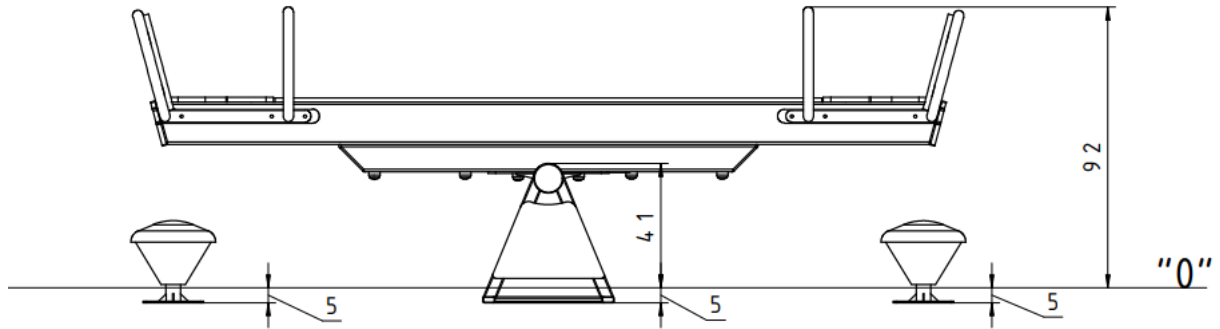


8013N





8013F

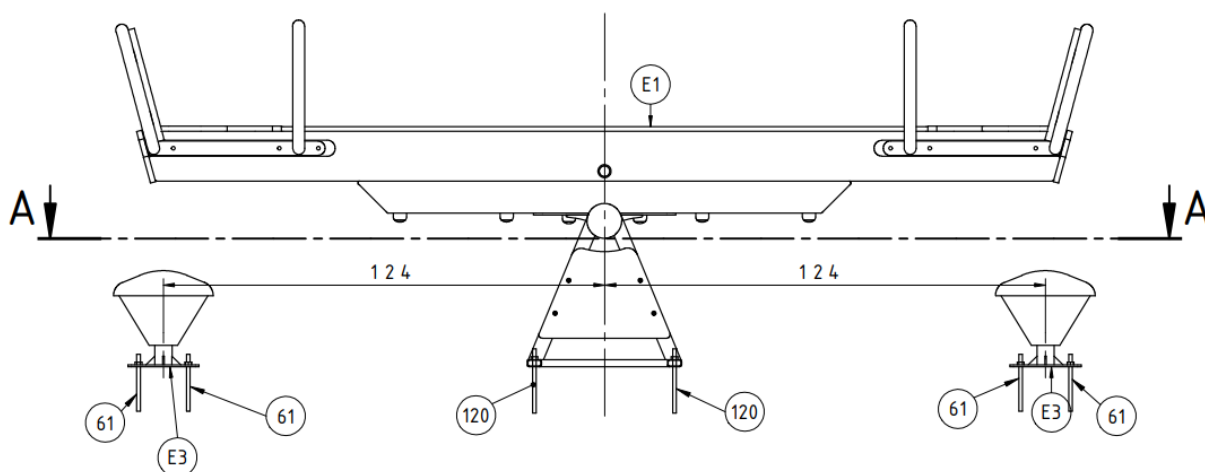
Dimension	Safety zone dimension	Overall height	Free fall height	The product complies with EN 1176-1: 2017	Age range
38 x 275 cm	238 x 475 cm (11 m ²)	126 cm	95 cm	Yes	3 - 12



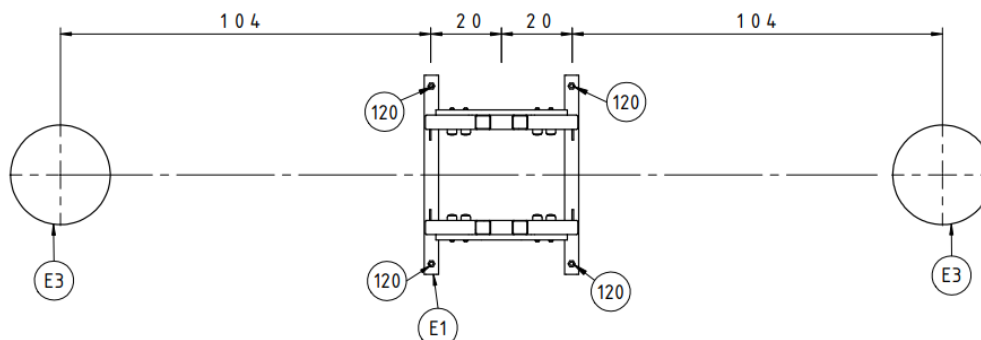
Dimension	Safety zone dimension	Overall height	Free fall height	The product complies with EN 1176-1: 2017	Age range
38 x 275 cm	238 x 475 cm (11 m ²)	126 cm	95 cm	Yes	3 - 12

① 8013F

Nr	Σ	Element		
61	8		-	KL105
120	4		-	KL140



A-A (1 : 18)



Dimension	Safety zone dimension	Overall height	Free fall height	The product complies with EN 1176-1: 2017	Age range
38 x 275 cm	238 x 475 cm (11 m ²)	126 cm	95 cm	Yes	3 - 12