



CYCLONE

FUNCTIONAL EMERGENCY & TRAUMA STRETCHER



USER MANUAL & TECHNICAL SPECIFICATIONS

Dear user,

Thank you for choosing SCHRODER products. This manual includes the using instructions for CYCLONE Functional Emergency & Trauma Stretcher. Please read this manual carefully before using the product.

CONTENTS

1. INSTRUCTIONS FOR OPERATING AND USING	4
1.1 DEFINITION OF SYMBOLS & MAIN COMPONENTS	4
A. Symbols & their definition	4
B. Definition of Main Components	5
1.2.1. Emergency Stretcher Movement Adjustments	6
1.2.1.1 Stretcher upward movement	7
1.2.1.2 Stretcher downward movement	7
1.2.1.3 Trendelenburg Movement	7
1.2.1.4 Reverse Trendelenburg Movement	7
1.2.1.5 Backrest Up	7
1.2.1.6 Backrest Down	7
1.2.2 OPERATION OF SIDERAILS	8
Side Rail Operation Instructions:	8
A) Folding of Side Rails:	8
B) Raising of Siderails:	9
1.2.3. X-Ray Film on the Stretcher	9
1.2.3 Stretcher Transfer	9
1.2.4 ACCESSORIES ASSEMBLY	11
1.2.4.1 IV Pole	11
1.2.4.2. Pushing Bars	11
1.2.4.3.Paper Roll Hanger (Optional)	12
1.2.4.4.Safety Belt (Optional)	13
1.2.4.5. Brakes	13
1.2.4.6.Mattress	14
2. General Care & Cleaning Instructions	14
Cleaning Instructions:	14
3. Transportation & Cargo Instructions	15
4. Warranty & After Sales Service	15
3. CYCLONE FUNCTIONAL EMERGENCY STRETCHER	16

1. INSTRUCTIONS FOR OPERATING AND USING

Please read the instructions before using the stretcher. This manual contains important information regarding usage and care. Personnel to use this stretcher are kindly requested to read the manual to be informed of the possible risks that could be faced during operation.

1.1 DEFINITION OF SYMBOLS & MAIN COMPONENTS

A. Symbols & their definition

Symbols are used to facilitate the manuals use. Those Symbols are defined below:

A.1 Symbols & their definition



This symbol means Attention / Warning / Be Careful & it is used for the safety of the patient and the healthcare personnel.

B. Definition of Main Components

CYCLONE Functional Emergency Stretcher with its special design is suitable for patient comfort and safety. CYCLONE is designed to be used in emergency service.

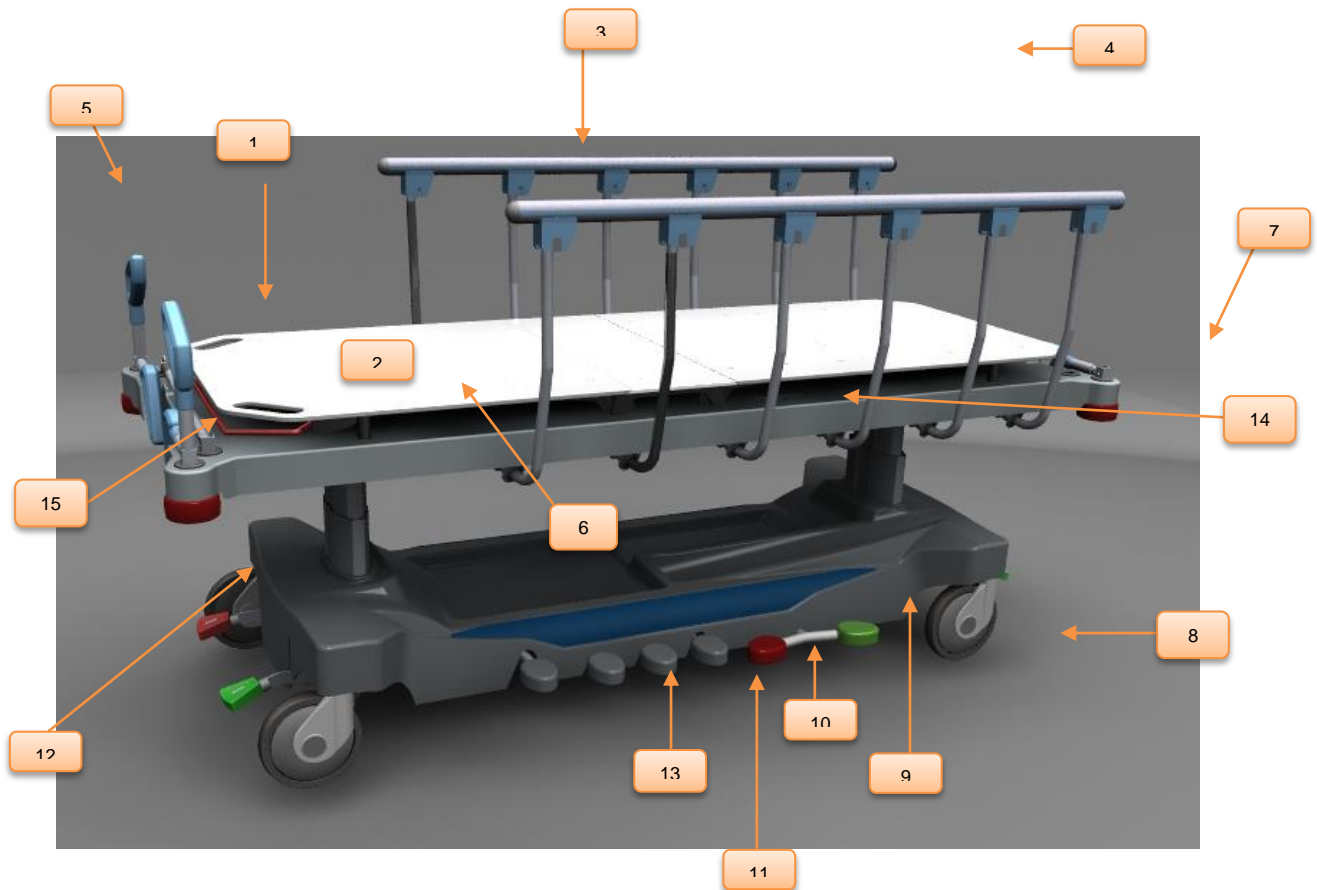


Figure 1: Definition of Main Components

1	Backrest	6	X-ray Translucent Compact laminate platform	11	Trendelenburg Pedal
2	Mattress platform	7	Protective Bumpers	12	Castor Central Brake Pedal
3	Side Rails	8	Castor	13	5 th castor
4	IV Pole	9	Height Adjustment Pedal	14	X-ray cassette carrier handle
5	Pushing Bars	10	Reverse Trendelenburg Pedal	15	Paper Roll hanger

1.2. USING INSTRUCTIONS

First, place the stretcher where you wish and lock the castors. Make sure that the stretcher and the accessories are placed in room temperature. Clean & disinfect the stretcher and bring it to the desired position using foot pedals.



Before placing the patient on the stretcher, please check the risk factors listed below:

- ✓ Risk of Getting your hand Caught up in the stretcher
- ✓ Risk of Falling from the Stretcher
- ✓ Patients who having difficulty using the stretcher
- ✓ Curious Patients
- ✓ Children
- ✓ Mentally Disabled Patients

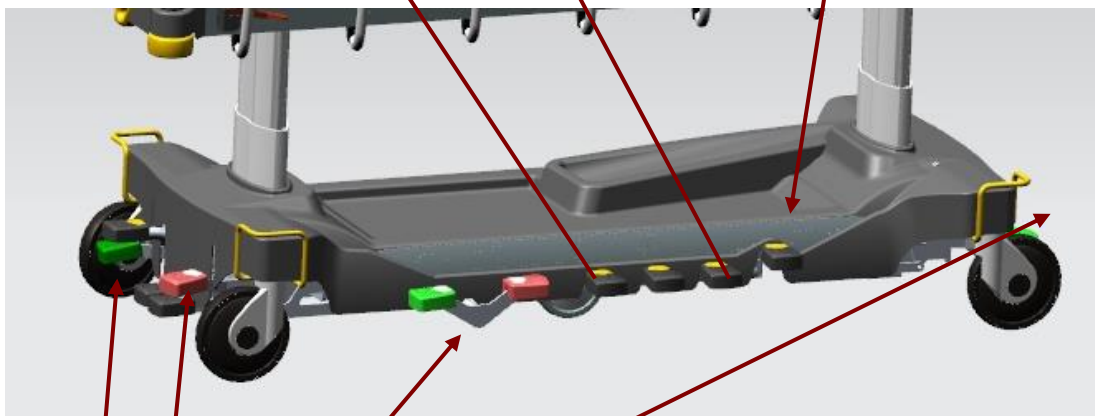
1.2.1. Emergency Stretcher Movement Adjustments



Figure 2: Control Pedals

Figure 2: Movement Adjustment Pedals of the Stretcher

Control Pedals are placed at the stretcher's side and they are used to bring the stretcher to the best position for the patient.



Central lock and fifth castors activation pedals

1.2.1.1 Stretcher upward movement

For the stretcher's height adjustment please see figure 2. Press on the height pedal like a pump to bring the stretcher to the desired height.

1.2.1.2 Stretcher downward movement

To lower the stretcher's height, see figure 2. Press both trendelenburg and reverse trendelenburg pedals at the same time to lower the stretcher to the desired position.

1.2.1.3 Trendelenburg Movement

For Trendelenburg movement see figure 2. Press trendelenburg pedal until you bring the stretcher to the desired position.



During trendelenburg and reverse trendelenburg movement patient should never be left unmonitored.

1.2.1.4 Reverse Trendelenburg Movement

For reverse trendelenburg movement see figure 2. Press reverse trendelenburg pedal until you bring the stretcher to the desired position.



During hemodynamic trauma and serious respiratory conditions lack of reverse trendelenburg position will put patient's life at risk.



Trendelenburg and reverse trendelenburg positions should only be applied by authorized personnel.

1.2.1.5 Backrest Up

To lift stretcher's backrest upward push the gas spring bar upward until you reach the desired position.



Figure 3: Backrest Adjustment

1.2.1.6 Backrest Down

To bring the stretcher's backrest downward push the gas spring bar upward and at the same time pull the backrest downward until you reach the desired position.

1.2.2 OPERATION OF SIDERAILS

CYCLONE Functional Emergency Stretcher has two side rails. Side rails are designed to help reduce the risks of the patient's accidental fall.

NOTE: While moving the side rails please pay attention that they are moving smoothly. If they are not moving smoothly don't force their movement.



Using a mattress that is thicker than the one recommended might result in the patient's falling off the stretcher & might lessen the side rails efficiency. In such case the patient should be monitored closely. Schroder shall not take any responsibility for the problems that might arise from not abiding by the instructions in this manual.



When the patient is placed on the stretcher the side rails should be locked up.



Should the patient's state of awareness or wakefulness is disturbed (agitation, confusion, disorientation, weariness) and be observed by his close one or by monitors, operation instructions must be strictly followed.

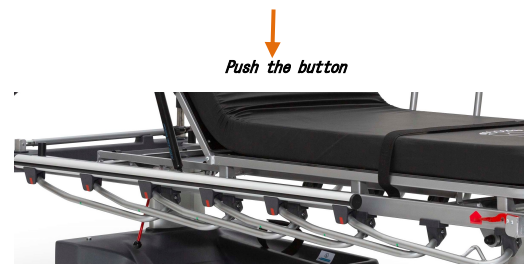
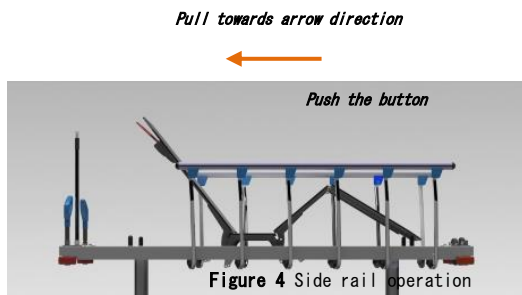


Should the patient be unconscious, restraining straps should be used.

Side Rail Operation Instructions:

A) Folding of Side Rails:

Push the button indicated by arrow in figure 4 and pull the side rail into arrow direction simultaneously. Thus, you will obtain the folded side rail as in figure 5.



B) Raising of Siderails:

Hold the siderail and pull it towards arrow direction in figure 6 until it locks into place.



Figure 6 Rasing of Side Rails

1.2.3. X-Ray Film on the Stretcher

In order to take X-ray film of the patient on the stretcher perform the following steps:

1th Lift the Stretcher's Backrest upward by following the procedure as explained in 1.2.1.5 page 7

2nd Place the X-ray cassette to the x-ray film carrier as in the figure 7

3rd Move the x-ray cassette carrier holding from the handle and pull towards the arrow direction and bring it to under the required place of the body where the x-ray film will be taken as in the figure 8.



Figure 7 Placing X-ray Cassette

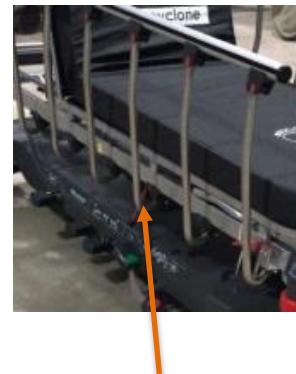


Figure 8 Movements of X-ray cassette carrier

1.2.3 Stretcher Transfer

In patient on stretcher position the side rails must be locked up.



To facilitate stretcher transfer bring the stretcher to an adequate height. Make sure that accessories such as IV pole don't get stuck while passing through doors and corridors.



During stretcher transfer make sure that accessories like IV pole don't get bumped into anything. In such cases the stretcher or accessory could be damaged.

Stretcher During Transfer;	Stretcher in Store;
Height should be lowered to the minimum	Height should be lowered to the minimum

Castors should be locked and all mobile pieces should be fixed	Castors should be locked and mobile pieces fixed
Should be protected from water	Should be protected from water
Should be kept in -10° to +50° temperature	Should be kept in -10° to +50° temperature
Humidity should be between %20 & %80 (30°)	Humidity should be between %20 & %80 (30°)
Pressure should be between 500hPa & 1060hPa	Pressure should be between 500hPa & 1060hPa



Stretchers should never be stacked during transfer or store.

1.2.4 ACCESSORIES ASSEMBLY

1.2.4.1 IV Pole

CYCLONE Functional Emergency Stretcher has one IV pole. See figure 9 illustrates the location of the IV pole on the stretcher.



Figure 9 IV pole

- Height of the IV pole can be adjusted to a desired level after loosening the plastic screw
- To put down the IV pole pull it up a little and put it on its place on the head end of the stretcher while IV pole is minimum length.
- IV Pole can be brought to a vertical position by pulling upward until it fix into its socket.

1.2.4.2. Pushing Bars



Figure 10: Foldable Pushing Bars

Pushing bars can be foldable by pulling upward as in the figure 10

1.2.4.3.Paper Roll Hanger

Paper Roll Hanger can be removed from its socket by lifting upward and pulling toward the arrow direction as in figure 11.



Figure 11 Paper roll hanger

1.2.4.4. Safety Belt

Pull the safety belt from its rolled-box and lock it by placing the clips to the socket at the other side of the stretcher.



Figure 12: Safety Belt

1.2.4.5. Brakes

The pedal has three functions as central lock, unlock and directional lock. Each function is explained as below:

1st position of the pedal in figure 10; locks all the castors simultaneously. The stretcher is fixed in its location.

2nd position of the pedal in figure 10; unlocks all the castors. The stretcher moves freely in all directions.

3rd position of the pedal in figure 10; activates directional lock mechanism. In this position, the stretcher moves in linear direction easily.

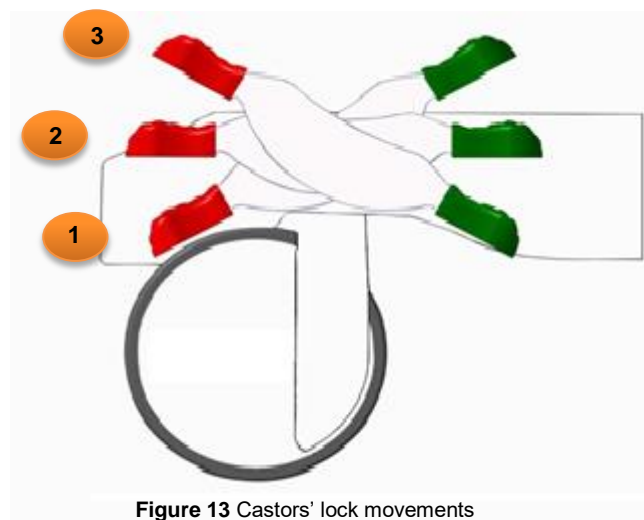


Figure 13 Castors' lock movements

1.2.4.6. Mattress

- Place the mattress on the stretcher bed.
- Only use mattress advised by our company. Should you choose to use a mattress other than the one advised, please make sure that it conforms to the stretcher & does not impair the quality & Safety of the stretcher functions.
- Mattress thickness should be 80mm. thicker mattress shall interfere with the side rails functions.
- Mattress to fit the stretcher lying area is 76x195 cm.

2. General Care & Cleaning Instructions



General care & cleaning instructions explained in this manual should be followed. Otherwise, patients and healthcare personnel could be injured and the stretcher could be damaged.



Not complying with the general care & cleaning instructions explained in this manual may result in the patient's injury & the stretcher's damage.

Cleaning Instructions:

- a) Place the stretcher where it should be cleaned & lock the castors.
- b) Clean the stretcher with a soft damp cloth using conventional disinfectant. (Never use chemicals such as bleaching and thinner. Do not use too much water.)
- c) Dry well before use.



Make sure that the stretcher is locked during the cleaning process. Bring the stretcher to the highest position.



Don't use high pressure water hose to clean the stretcher. Don't use any steam cleaning machines. Don't use water over 60°. Especially while cleaning the hydraulic pump don't use much water. Failure to abide by or neglecting the instructions explained above shall impair the stretcher's functions & leave it out of warranty.



Misuse of the stretcher might damage it and injure patient or healthcare personnel. Please pay attention to the wrong usage examples listed below:

- Using the stretcher in places other than emergency service, operation room & monitor room.
- Using the stretcher in high pressure room.
- Use of the stretcher by someone who has not read the manual or someone who is unqualified.
- Operating the stretcher function by several people at the same time.
- Placing a weight higher than 300 kg on the stretcher.

- Using an accessory other than the ones advised by the manufacturer.
- Operating and storage in a way which is not defined.
- Using the stretcher in a place where there is a risk of explosion.
- Using the stretcher on very soft or unsuitable floor.
- Moving the stretcher over an inclination higher than 10° (with patient on or off).
- Using the stretcher in places where there are inflammable gases or in places that are steamy.
- Using the stretcher in places where the temperature is higher than the recommended.
- Failure to abide by the instructions explained in the manual.

3. Transportation & Cargo Instructions

- Product should not be stacked without packing
- Should be protected from direct sunlight and rain
- Package should be secured
- Should be protected from bumps

4. Warranty & After Sales Service

- The following shall not be covered by warranty:
- Maintenance of the below mentioned items by unqualified people (or faulty maintenance)
- Mechanic Systems
- Any Faulty Maintenance
- Use of accessories or pieces by unauthorized people
- Noncompliance with general care & cleaning instructions
- Non compliance with the instructions specified in the manual.

3. CYCLONE FUNCTIONAL EMERGENCY & TRAUMA STRETCHER

- Hydraulic height adjustment supported with columns, from 58 to 91 cm. (without mattress), height adjustable by bilateral pedals
- Trendelenburg and Reverse Trendelenburg positions by bilateral pedals
- Backrest adjustment assisted by gas spring
- Anti-static and anti-bacterial mattress made of soft, flexible foam, cm 76x195x12,5h, provided with fireproof washable and sanitizable cover, impermeable to liquids, provided with fixing system to sleeping surface
- X-Ray Translucent, compact laminate mattress platform
- X-Ray Cassette holder on whole mattress platform
- 2 sections mattress platform , 1 joint
- Compartment for Oxygen tank until 5 Kg. and patient's things
- Foldable shelf positionable in the foot area, cm. 45x33, safe load 10 kg. (optional)
- Auto regression system
- Fully Foldable Stainless Steel side rails, rapid lowering below the padded surface, high resistance to very high stresses
- Anatomical fully foldable Pushing bars (pair), located in the head area, pushing bar located in the foot area
- Patient Textile Restraining straps, removable and washable, velcro closure (pair) (optional)
- Protective corner bumpers (castors type)
- Electrostatic epoxy coated steel main frame (white and black colors available)
- Four 360° Swivel Castors with central braking mechanism and steer control, braking of all wheels activated on each side
- Foldable IV Pole Stand, four hooks, two sections, removable and reclining, suitable also for syringe pumps
- ABS Covered sub-frame for easy cleaning and disinfection
- 5th Retractable Castor for easy maneuvering (Ø 125 mm) , located in the central area, activated by bilateral pedals (optional)
- Paper Roll hanger positionable both on the side of the head or foot (optional)

TECHNICAL DETAILS	
Length:	220cm
Width:	84cm
Backrest angle:	0°-86°
TR/RTR angle:	0°-16°
Height range (without mattress):	58-91cm
Castor diameter:	200mm
Mattress surface:	76x195cm
5th Caster diameter	125mm
Mattress thickness:	12,5cm
Weight:	130kg
Safe working load capacity:	300kg

MANUFACTURER
PROMA MEDIKAL LTD. STI.
SIRASOGUT MAH. GAZIANTEP CD. NO : 3
Sahinbey/ Gaziantep / TURKEY
Tel : +90 850 202 77 50
Faks : +90 342 230 15 83
E-Mail : info@schroder.com.tr
Web : www.schroder.com.tr