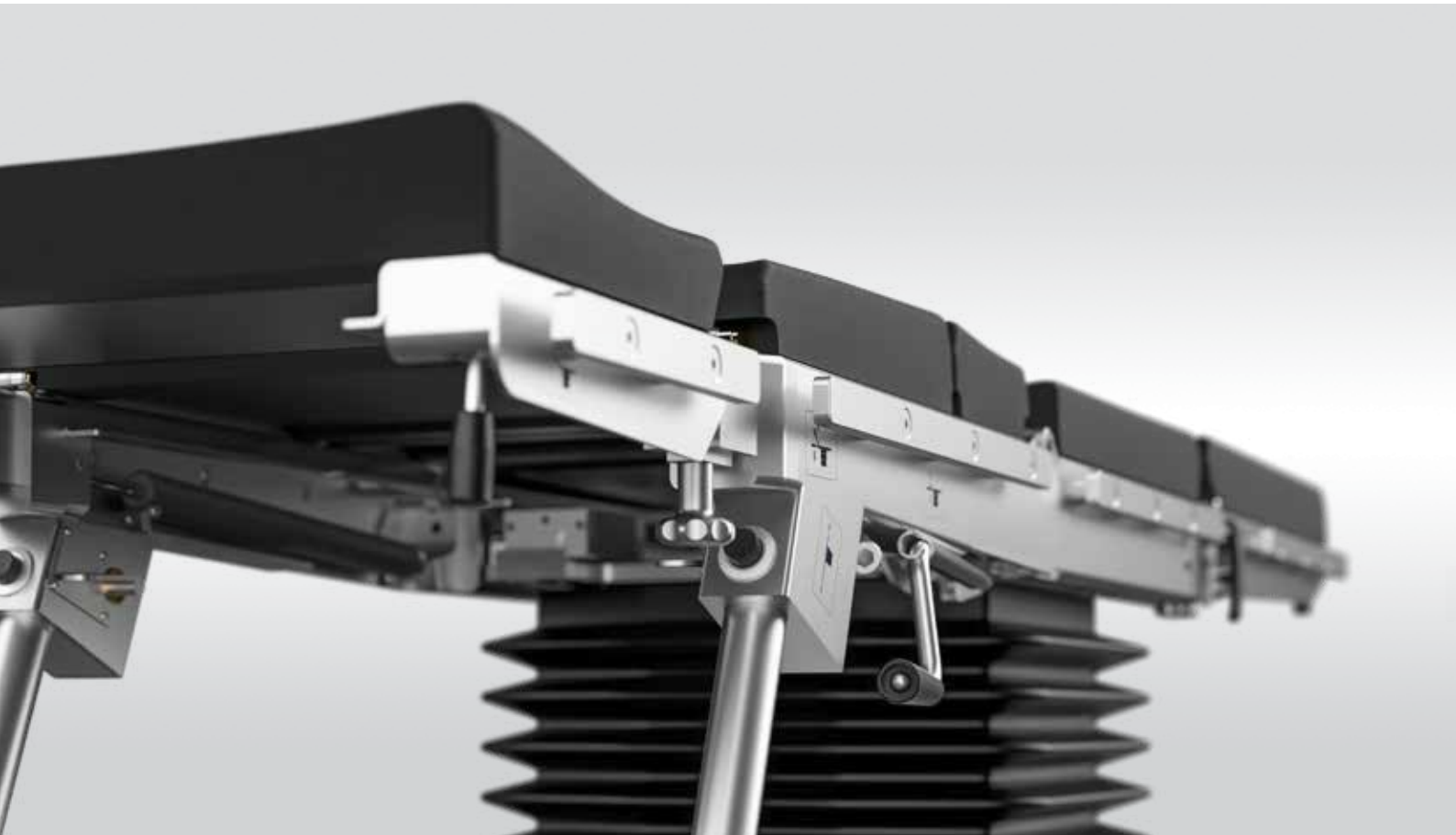




## Operating Tables

FENIX OT-01

VIVAX OT-02



**Quality**  
**Cost Effectiveness**  
**Versatility**

Outstanding quality for reasonable price, versatility and functionality ensure operational comfort for everyday surgical work. Optional table tops and bases, together with wide range of additional accessories make it suitable for general and specialist surgical procedures.

Adjustment possibilities and ranges meets the requirements demanded by a modern universal operating tables.





Operating table VIVAX with optional "Super mobile" base



Operating table VIVAX with standard "T" base

## Design

Standard "T" base with 5 antistatic castors, (4 rear castors in 2 pairs and directional one in the front), with foot operated central brake.

Optionally available base "Super mobile" for enhanced manoeuvrability and better access to the operating field, thanks to 4 antistatic castors diam. 125 mm. Driving system with foot operated central brake and directional castor.

The elements of the table top, base and column covers are made of matt polished stainless steel, which makes the surfaces smooth and hygienic. The covers are impact resistant, easy to clean, prevent fluid ingress, minimizing infection risk.

High quality, ergonomically profiled, anti-static mattresses made of polyurethane foam of thickness 50 mm. Easy removable, with antibacterial protection, seamless, ensure maximum hygiene and prevent against cross contamination.

Table tops for general surgeries:



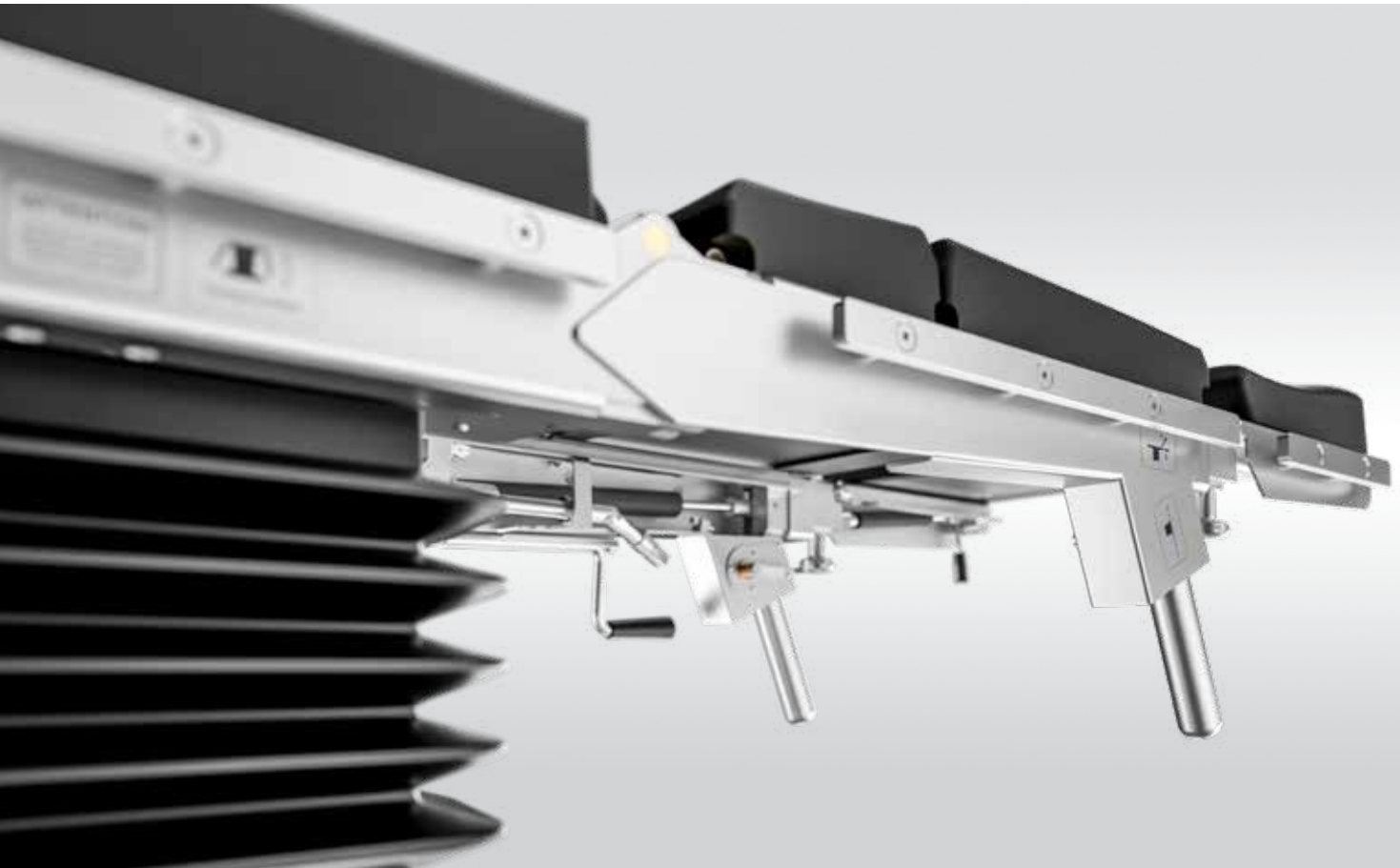
Modular table top



5 section table top



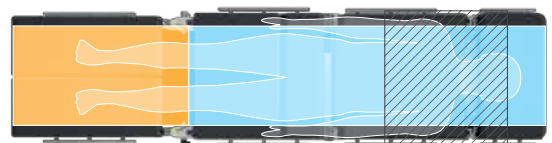
4 section table top



### Imaging Flexibility

Multisectional (4,5 or 6 sectioned) table tops, full-length C-Arm radio translucent.

Superior imaging is ensured by full length X-ray cassette tunnel (except foot sections), with possibility of inserting the cassette from both sides, headrest and footrests interchangeable and longitudinal slide (350 mm).



- X-ray cassette tunnel and access to C-arm
- Access to C-arm only
- Table column - no access to C-arm

Schemes description

Table top moved to the head side, interchanged head and foot sections

# OT-01 / OT-02

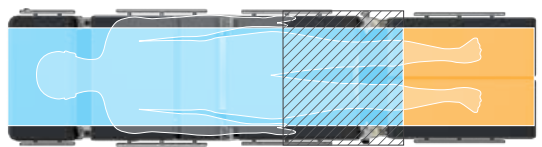
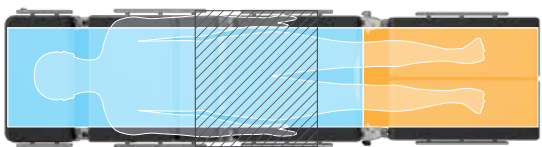


Table top moved to the foot side

Table top moved to the head side



*Trendelenburg position*



*Elevated backrest, lowered footrests position*

## Features

- Battery powered, with charger built-in the base.
- Unique software providing smooth and precise table movements.
- Superior electro- hydraulic system, with technical solutions of the world leading micro-hydraulics provider.

## Controls

- Robust corded handset with visual battery level indication, ideal for simple, intuitive control.
- Optional wireless handset.
- Control panel placed on table side cover.
- Foot controller.
- Wall control panel (OPERA system).



INFIMED OPERA Control System

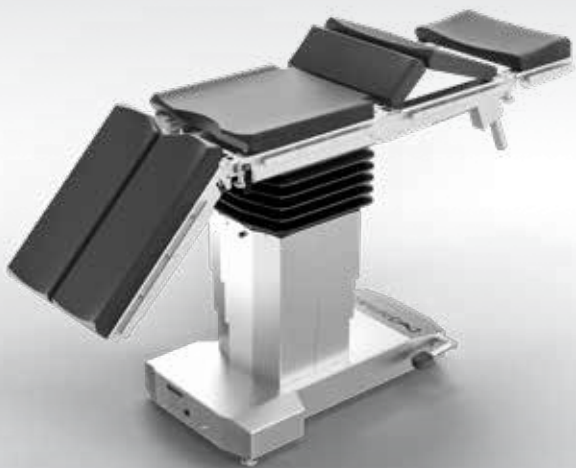


Side Panel Preview



Remote Control





*Kidney bridge position*



*Beach chair position*

- Optional override control system, mechanic-hydraulic, used in case of corded hand control damage, failure of drive or main control system.
- Range of table movements controlled via electro-hydraulic drive:
  - Height adjustment,
  - Table top tilts: lateral and longitudinal (Trendelenburg and Rev- Trendelenburg),
  - Back rest section and kidney bridge (option),
  - Longitudinal slide (option)
  - Central brake (option).
- Adjustment angles of 40° Trendelenburg/ Rev Trendelenburg and and 30° tilt make it ideal solution for minimally invasive procedures.
- Range of table movements controlled mechanically or gas spring supported:
  - Backrest section and kidney bridge,
  - Footrest sections,
  - Headrest sections,
  - Longitudinal slide.



Control panel placed on table side cover



## Specialized angiography operating table VIVAX OT-02

### Application:

Operations with simultaneous radiolucency of the operating field: intraoperative radiology and angiography, heart and vascular surgery.

### Main Features:

- Standard “T” base with central brake.
- Carbon fibre table top, ensuring maximum X-ray transparency and unrestricted access for C-arm
- Range of table movements controlled via electro-hydraulic drive:
  - Height adjustment
  - Table top tilts: lateral and longitudinal (Trendelenburg and Rev-Trendelenburg)
  - Longitudinal slide (option)
  - Lateral slide (option)
- Range of table movements controlled mechanically or gas spring supported:
  - Central brake





# OT-02



## Specialized bariatric operating table VIVAX OT-02

Application: Bariatric operations of patients weighing up to 450 kg.

### Main Features:

- Standard "T" base with central brake.
- Table-top with increased width, using special extensions, in order to support heavy patients.
- Range of table movements controlled via electro-hydraulic drive:
  - Height adjustment
  - Table top tilts: lateral and longitudinal (Trendelenburg and Rev-Trendelenburg)
  - Back rest section
  - Longitudinal slide
  - Kidney bridge (for 5,6 sections table-tops),
  - Central brake
- Range of table movements controlled mechanically or gas spring supported:
  - Footrest sections
  - Headrest section





## Specialized orthopaedic operating table VIVAX OT-02

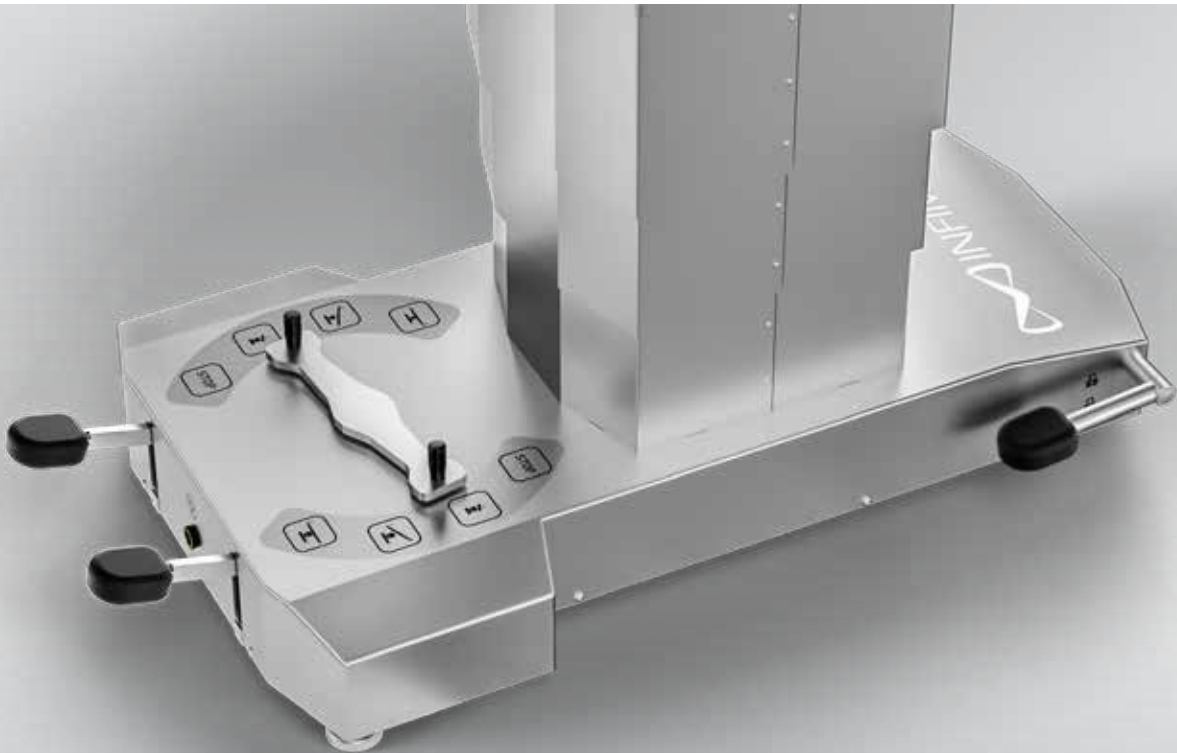
Application: Orthopaedic, traumatology, shoulder surgeries.

### Main Features:

- Standard "T" base with central brake.
- Table-top with fully detachable shoulder sections for unrestricted surgical access, with horseshoe headrest.
- Orthopaedic attachment fixed in place of the footrest sections.
- Range of table movements controlled via electro-hydraulic drive:
  - Height adjustment
  - Table top tilts: lateral and longitudinal (Trendelenburg and Rev-Trendelenburg)
  - Back rest section and longitudinal slide (option)
- Range of table movements controlled mechanically

- Range of table movements controlled mechanically or gas spring supported:
  - Back rest section
  - Headrest section
  - Central brake





## Controls

- OT-01 is the economically attractive, mechanic-hydraulic alternative to the OT-02.
- Powered by hydraulic system, operated via foot position selector and foot levers.
- Range of table movements controlled hydraulically:
  - Height adjustment,
  - Table top tilts: lateral and longitudinal (Trendelenburg and Rev-Trendelenburg).
- Range of table movements controlled mechanically or gas spring supported:
  - Back rest section and kidney bridge,
  - Footrest sections,
  - Headrest sections,
  - Longitudinal slide (option).



Examples of additional accesories for operating tables *			
			
<b>EB-01</b> One position clamp	<b>EB-02</b> Multi position clamp	<b>EB-05</b> Arm support	<b>ES-07</b> Holder for additional equipment
			
<b>EB-03</b> Knee support	<b>EB-04</b> Angle arm support	<b>EB-06</b> Thigh holder	<b>EB-07</b> Side-shoulder support
			
<b>EB-08</b> Side support	<b>EB-09</b> Anesthetic frame	<b>EB-10</b> Anesthetic frame with adjustable width	<b>EB-11</b> Infusion holder
			
<b>EB-12</b> Hand/shank holder	<b>EB-13</b> Support for meniscus operation	<b>ES-09</b> Holder for tubes	<b>ES-12</b> Chest support

# Additional Accesories

Examples of additional accesories for opearating tables *		
		
ES-01 Leg strap ES-02 Thigh strap	ES-03 Abdominal strap	ES-04 Hand/wrist strap
		
ES-05 Gyencological bowl	ES-06 Urological bowl	ES-08 Holder for arm operations
		
ES-10 Tray for additional accesories	ES-11 X-ray tray	ES-14 Pubic support
		
ES-15 Leg support, not-divided ES-21 Leg support, divided	ES-16 Proctological attachment	EM-01 Mattress for spine surgeries

Examples of additional accesories for operating tables *			
			
<b>EO-30</b> Attachement for shoulder operations	<b>ES-13</b> Attachment for knee operations	<b>EO-12</b> Trolley for installation of orthopedic attachment	
			
<b>EO-01</b> Orthopaedic attachment with two extension devices and support roll	<b>EO-20</b> Attachment for hand operating	<b>EO-13</b> Mobile stand for additional equipment of orthopedic attachment	
			
<b>EO-02</b> Bar suport <b>EO-03</b> Leg support	<b>EO-04</b> Support for plastering	<b>EO-05</b> Heel holder <b>EO-06</b> Foot support	<b>EO-09</b> Hip support for side position.
			
<b>EN-01</b> Specialistic head rest with adjustable track	<b>EN-02</b> Specialistic head rest, horseshoe	<b>EN-03</b> Orthopedic head rest	



# Technical parameters

Technical parameters of operating tables INFIMED VIVAX	OT-02 standard	OT-02 angiography version	OT-02 bariatric version
Total length of the table with 4, 5 sections, modular, orthopedic and bariatric table tops	2100 mm	-----	2100 mm
Total length of the table with 6 sections table top	2300 mm	-----	2300 mm
Total length of the table carbon fibre table top	-----	2200 mm	-----
Table top width (without / with side rails)	500 mm / 560 mm	600 mm	780 mm/ 840 mm
Standard height adjustment, with mattress 50 mm (electro-hydraulic)	730 mm – 1080 mm	-----	730 mm – 1080 mm
Extended height adjustment with mattress 50 mm (electro-hydraulic)	700 mm – 1150 mm	-----	700 mm – 1150 mm
Height adjustment, without mattress (electro-hydraulic), with longitudinal and lateral slide	-----	800 mm – 1150 mm	-----
Height adjustment, without mattress (electro-hydraulic), with longitudinal slide	-----	730 mm – 1080 mm	-----
Height adjustment, without mattress (electro-hydraulic), fixed	-----	660 mm – 1010 mm	-----
Lateral tilts adjustment (electro-hydraulic)	± 30°	± 20°	± 30°
Trendelenburg / reverse-Trendelenburg adjustment (electro-hydraulic)	± 40°	± 20°	± 40°
Backrest adjustment (pneumatic)	- 45° ; +85°	-----	-----
Optional backrest adjustment (electro-hydraulic)*	- 35° ; +85°	-----	- 35° ; +85°
Footrest adjustment (pneumatic)	- 90° ; +25°	-----	- 90° ; +25°
Footrest abduction (mechanic)	180°	-----	180°
Headrest adjustment (pneumatic)	± 45°	-----	± 45°
Kidney bridge adjustment (mechanic) Optional kidney bridge adjustment (electro-hydraulic)*	~120 mm	-----	~120 mm
Longitudinal slide (mechanic) Optional longitudinal slide (electro-hydraulic)*	350 mm	350 mm	350 mm
Lateral slide (electro-hydraulic)*	-----	210 mm	-----
Table mass	250 kg	250 kg	270 kg
Maximum dynamic / static working load	250 / 300 kg	250 kg	450 / 540 kg
Built in battery power Built in charger power	24 V 230V ~ 50/60Hz	24 V 230V ~ 50/60Hz	24 V 230V ~ 50/60Hz
Working time between battery charging	Up to 65 operations	Up to 65 operations	Up to 65 operations
Lifetime	10 years	10 years	10 years
Degree, class of protection, application part type	IP-X4 / I / B	IP-X4 / I / B	IP-X4 / I / B
Technical parameters of operating tables INFIMED FENIX	OT-01		
Total length of the table with 4 and 5 sections tabletop	2100 mm		
Total length of the table with 6 sections tabletop	2300 mm		
Tabletop width	500 mm		
Total tabletop width (with side rails)	560 mm		
Height adjustment (hydraulic) with mattress 50 mm	700 – 1000 mm		
Lateral tilts adjustment (hydraulic)	± 30°		
Trendelenburg / reverse-Trendelenburg adjustment (hydraulic)	± 30°		
Backrest adjustment (pneumatic)	- 45° ; +85°		
Footrest adjustment (pneumatic)	- 90° ; +25°		
Footrest abduction (mechanic)	max 180°		
Headrest adjustment (pneumatic)	± 45°		
Kidney bridge adjustment (mechanic), available in 5 or 6 section tabletop	~120 mm		
Optional longitudinal slide (mechanic)	350 mm		
Table mass	240 kg		
Maximum dynamic / static working load	200 /240 kg		

\* additional options



European Union  
European Regional  
Development Fund



For special requirement of the customer it is possible to produce the product with changed technical parameters which do not diminish its safety.

The details given in this catalogue are correct at the time of going to press. Infimed Sp. z o.o., however, reserves the right to improve shown equipment.

**adres** INFIMED Sp. z o.o.  
ul. Kabaty 1,  
34-300 Żywiec,  
Polska  
**tel/fax** +48 33 861 40 96  
**email** office@infimed.pl  
**www** www.infimed.pl

**NIP** 553-251-29-67  
**REGON** 243274947  
**KRS** 0000463933

Sąd Rejonowy w Bielsku-Białej, VIII Wydział  
Gospodarczy Krajowego Rejestru Sądowego.  
Wysokość Kapitału Zakładowego: 500 000 PLN

**bank** Bank Spółdzielczy  
w Węgierskiej Górze  
**SWIFT** POLUPLPR

78 8131 0005 0016 2492 2000 0010 PLN  
PL02 8131 0005 0016 2492 2000 0020 EUR  
PL23 8131 0005 0016 2492 2000 0030 USD



[www.infimed.pl](http://www.infimed.pl)