



Catheter mount range

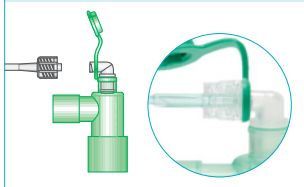


Airway Management ▪ Patient Connections

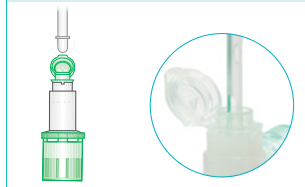
A guide to our ports and caps

For added safety all Intersurgical port caps are fixed to the connectors, to prevent loss or misplacement in use.

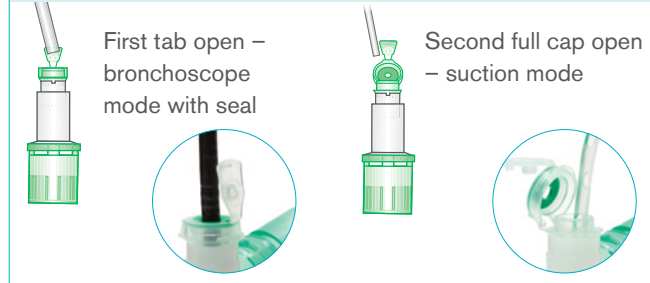
Luer ports
For secure attachment of gas sampling lines with luer lock fittings



7.6 mm port and flip top cap
For insertion of all standard 7.6 mm probes or for suctioning



Double flip top cap with seal
Bronchoscopy and suction ports in one patient connection



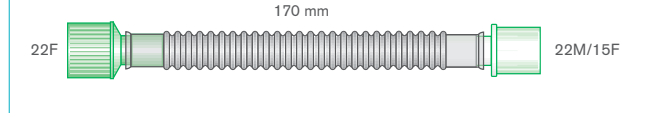
First tab open – bronchoscope mode with seal

Second full cap open – suction mode

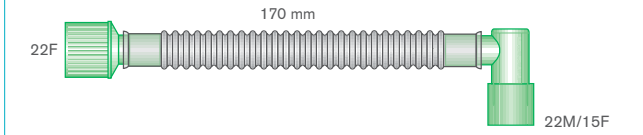
Flexible catheter mounts

A range of flexible catheter mounts available with a variety of elbow connections and ports for all applications. For added safety all Intersurgical port caps are tethered to the connectors, to prevent loss or misplacement in use.

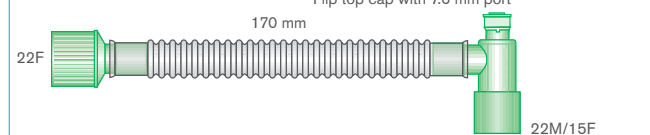
[Make an enquiry](#) [Watch the video](#)



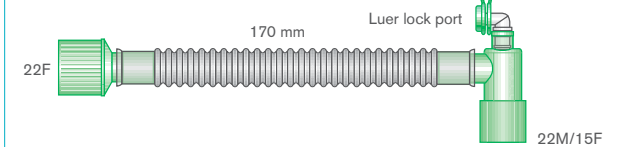
Code	3511000
Box Qty.	50
Compressible Volume	44 ml



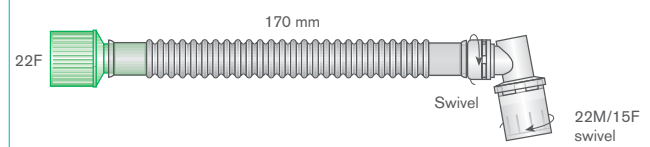
Code	3501000 (S*)
Box Qty.	50 (85*)
Compressible Volume	45 ml



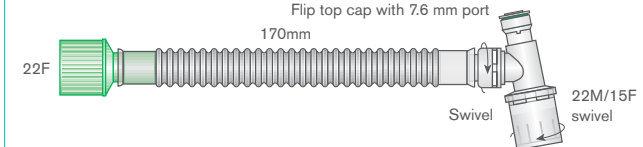
Code	3508000
Box Qty.	50
Compressible Volume	49 ml



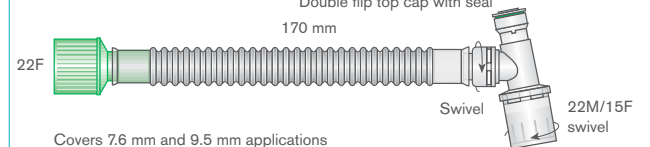
Code	3515000
Box Qty.	40
Compressible Volume	50 ml




Code	3506000
Box Qty.	50
Compressible Volume	48 ml



Code	3516000 (S*)
Box Qty.	50 (85*)
Compressible Volume	47 ml



Code	3505000 (S*)
Box Qty.	50 (85*)
Compressible Volume	48 ml

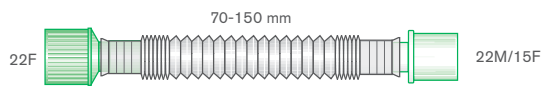
 Sterile option available

(S*) Add an S to the seven digit code number for the sterile version of this product eg. 3501000S (sterile box quantity is shown in brackets).



Superset™ catheter mounts

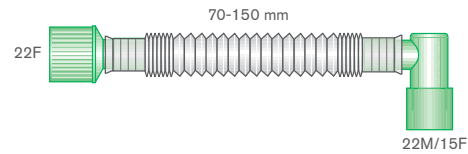
Superset catheter mounts have a concertina design to allow for complete positioning control. The design allows the adjustment of compressible volume and the adjustment of length from 70 mm to 150 mm, excluding connectors. The range is available with fixed and double swivel elbows and a variety of ports for all applications. For added safety all Intersurgical port caps are fixed to the connectors, to prevent loss or misplacement in use.

[Make an enquiry](#)
[Watch the video](#)


Code 3504000 (S*)

Box Qty. 75 (75*)

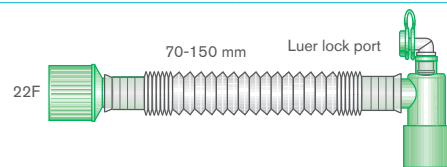
Compressible Volume 22-43 ml



Code 3502000 (S*)

Box Qty. 75 (40*)

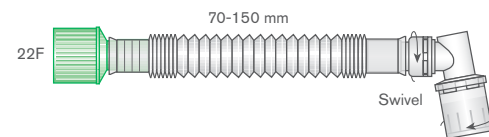
Compressible Volume 23-44 ml



Code 3514000 (S*)

Box Qty. 75 (40*)

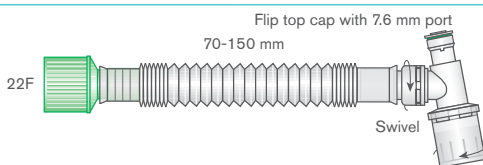
Compressible Volume 26-47 ml



Code 3512000

Box Qty. 75

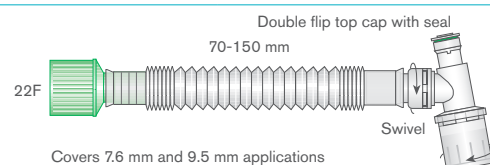
Compressible Volume 27-47 ml



Code 3520000 (S*)

Box Qty. 75 (40*)

Compressible Volume 23-47 ml



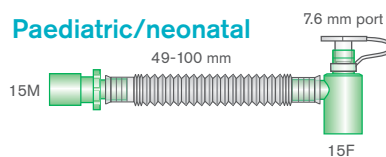
Covers 7.6 mm and 9.5 mm applications

Code 3521000 (S*)

Box Qty. 75 (40*)

Compressible Volume 26-50 ml

Paediatric/neonatal

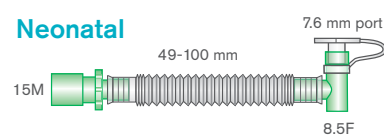


Code 3535000

Box Qty. 15

Compressible Volume 13-16 ml

Neonatal



Code 3534000

Box Qty. 25

Compressible Volume 10-13 ml

 Sterile option available

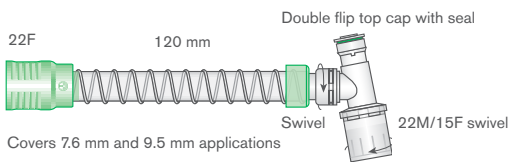
(S*) Add an S to the seven digit code number for the sterile version of this product eg. 3504000S (sterile box quantity is shown in brackets).

Smoothbore catheter mounts

A range of Smoothbore catheter mounts providing good flow characteristics, lower tubing compliance and clear, crush-resistant tubing. Available in a variety of lengths with double swivel elbows and double flip top caps. For added safety all Intersurgical port caps are fixed to the connectors, to prevent loss or misplacement in use.

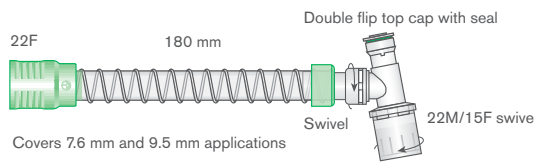
[Make an enquiry](#)

[Watch the video](#)



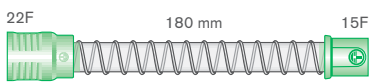
22F 120 mm Double flip top cap with seal Swivel 22M/15F swivel
Covers 7.6 mm and 9.5 mm applications

Code	5120000 (S*)
Box Qty.	50 (85*)
Compressible Volume	30 ml



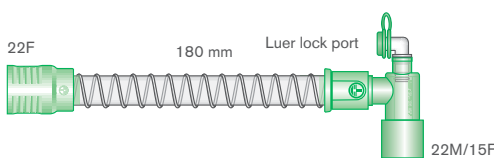
22F 180 mm Double flip top cap with seal Swivel 22M/15F swivel
Covers 7.6 mm and 9.5 mm applications

Code	5180000 (S*)
Box Qty.	50 (85*)
Compressible Volume	37 ml



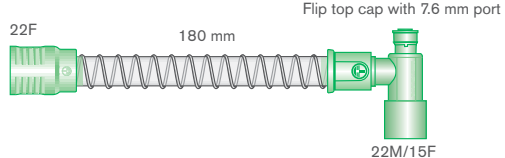
22F 180 mm 15F

Code	5180104 (S*)
Box Qty.	50 (85*)
Compressible Volume	25 ml



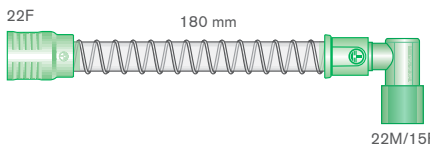
22F 180 mm Luer lock port 22M/15F

Code	5180114 (S*)
Box Qty.	50 (85*)
Compressible Volume	36 ml



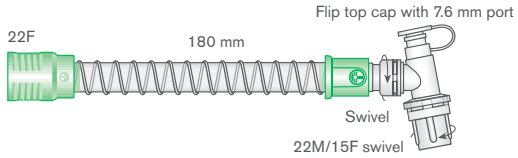
22F 180 mm Flip top cap with 7.6 mm port 22M/15F

Code	5180193 (S*)
Box Qty.	50 (85*)
Compressible Volume	35 ml



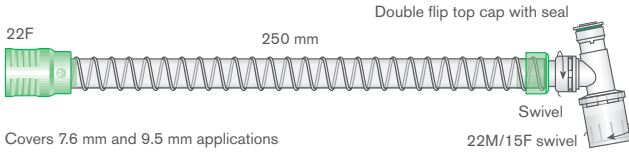
22F 180 mm 22M/15F

Code	5180197 (S*)
Box Qty.	50 (85*)
Compressible Volume	35 ml




22F 180 mm Flip top cap with 7.6 mm port Swivel 22M/15F swivel

Code	5180199 (S*)
Box Qty.	50 (85*)
Compressible Volume	35 ml



22F 250 mm Double flip top cap with seal Swivel 22M/15F swivel
Covers 7.6 mm and 9.5 mm applications

Code	5250000 (S*)
Box Qty.	50 (50*)
Compressible Volume	51 ml

 Sterile option available

(S*) Add an S to the seven digit code number for the sterile version of this product eg. 5120000S (sterile box quantity is shown in brackets).

IS12.30 • Issue 2 07.24



Intersurgical Ltd, Crane House, Molly Millars Lane, Wokingham, Berkshire, RG41 2RZ, UK
T: +44 (0)118 965 6300 info@intersurgical.com www.intersurgical.com



The manufacturer Intersurgical Ltd is certified to ISO 14001:2015, ISO 9001:2015, ISO 13485:2016 and MDSAP

Please think before you print
Save energy and paper.
If you must print this information sheet please print it double sided.