

OFERTA TEHNICĂ

Nr	Denumirea	**Referința producătorului	Cantitatea	Term. de livrare	Term. de garantie
1	Limitatoare de supratensiune 0,4 kV	LV surge arrester NNO 10/440 - 0,5m + Safety tie	un. 759	50 zile	24 luni

Producator: **IZOELEKTRO d.o.o.

Fisa tehnica Limitatoare de supratensiune 0,4 kV

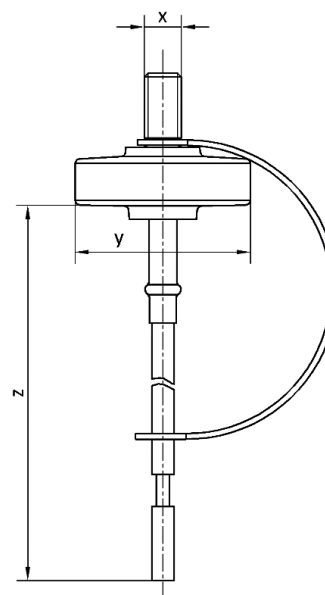
CARACTERISTICI TEHNICE SOLICITATE	Offered by IZOELEKTRO d.o.o.
Descărcător din oxid metallic 0,4 kV	440 V
Standard IEC 61643-11 (ГОСТ IEC 61643-11-2013)	IEC 61643-11
Tensiunea nominală a circuitelor de utilizare, (V)	0,4 kV
Frecvența nominală, (Hz)	50
Învelișul	Silicone
Materialul armaturii de contact	Brass
Învelișul rezistent la atacurile păsărilor	Yes
Curentul nominal de descărcare, kA	10
Clasa de descărcare	2
Clasa tensiunii rețelei, kV	0,4
Tensiunea maximală de serviciu continua U_c , kV	440
Supratensiunea temporară admisibilă (TOV) 103s	440
Tensiunea reziduală pe descărcător cu unda 8/20ps, kA	1800
Tensiunea reziduală pe descărcător cu unda 4/10ps, kA	1500

Technical information

In	10 kA	Nominal discharge current
Ur	440 V	Rated voltage
Up	< 1,8 kV	Voltage protection level
W	3200 J	Energy absorption
t_A	< 25 ns	Response time
x	M8 mm	Screw
y	∅38 mm	Diameter
z	0,5 m	Earthing conductor

General data

Fuse	300 AgL	Main Backup fuse
T	-60 +85°C	Ambient temperature range
IP	67	Ingress protection level
Coat	silicone	Arrester housing
Colour	grey	Coat
Class	II	IEC
IEC	61643-1; 61643-11	



1. **Livrarea:** SRL Electrocon va efectua livrarea in conditiile DDP Bălți, **depozit Central SA "RED-Nord"-**

Autoritatea Contractantă: SA "RED-Nord" Moldova, 3100, m. Bălți, str. Ștefan cel Mare, 180 „A”

Numărul procedurii de achiziție: ID 21179139 din 28 febr 2024, 31200000-8

Denumirea Licităției: Limitatoare de supratensiune 0,4 kV

or. Bălți, str. Ștefan cel Mare, 180 „A”, conform INCOTERMS 2010 și a cerințelor stabilite de către Organizator. SRL Electrocon suporta toate cheltuielile și riscurile legate de aducerea marfii în acest loc, inclusiv a taxelor vamale, a altor taxe și speze oficiale care se plătesc la import, precum și a costurilor și riscurilor de îndeplinire a formalităților vamale.);

2. **Descarcarea materialelor:** - va fi efectuată de către SA "RED-Nord", depozit Central - or. Bălți, str. Ștefan cel Mare, 180 „A”;

3. **Cerinte de ambalare:** - materialele vor fi ambalate conform cerințelor și normelor ce asigură integritatea mărfii și transportarea în siguranță a acesteia.

4. **Termenul de îndeplinire a contractului:** 50 zile;

5. **Eliberarea mărfii:** - se va face în MDL, la cursul oficial al BNM în ziua perfectării documentelor fiscale;

6. **Termenul de achitare** – 30 zile din momentul primirii bunurilor.

Data: 25 martie 2024

SRL „ELECTROCON”



(semnatura și ștampila)

LV surge arrester NNO 10/440 - 0,5m black

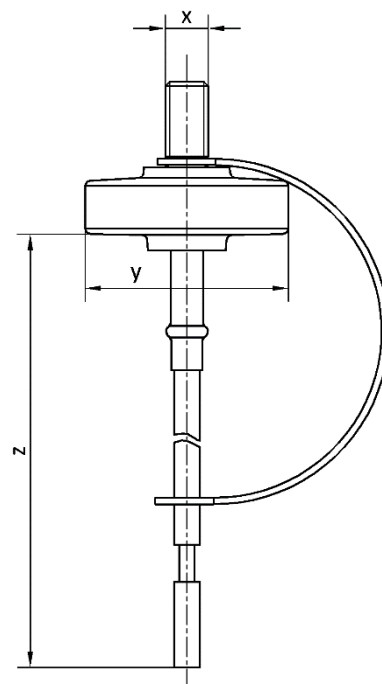
Code: 0012000206066

Technical information

In	10	kA	Nominal discharge current
Ur	440	V	Rated voltage
U_p	< 1,8	kV	Voltage protection level
W	3200	J	Energy absorption
t_A	< 25	ns	Response time
x	M8	mm	Screw
y	Ø38	mm	Diameter
z	0,5	m	Earthing conductor

General data

Fuse	300 AgL	Main Backup fuse
T	-60 +85°C	Ambient temperature range
IP	67	Ingress protection level
Coat	silicone	Arrester housing
Colour	grey	Coat
Class	II	IEC
IEC	61643-1; 61643-11	



Competitive advantages

- surge arresters for indoor and outdoor installation,
 - ingress protection level IP 67,
 - silicone coating,
 - certificate from an accredited laboratory,
- Very visible separate conductor after working disconnecting device, mounted on arrester.
- **At the customer's request we produce surge arresters:**
 - with any earthing conductor length,
 - with any end fitting on earthing conductor,
 - with any colour of earthing conductor,
 - as a factory set by customer's choice.

DECLARATION OF CONFORMITY1) No.: **2/2017**

2) Issuer's name and address

Izoelektro d. o. o.
Limbuška cesta 2
2341 Limbuš, Slovenija

3) Object of the declaration (name, type, producer)

Name:	Low Voltage Surge Arresters and Connectors	
Type:	NNO 5/280	NNO 5/440
	NNO 10/280	NNO 10/440
	NNO P1	NNO P2
	NNO P3	NNO P4
	NNO P5	NNO P6

Producer: **Izoelektro d. o. o.**
Limbuška cesta 2
2341 Limbuš, Slovenija

4) Additional information

Documents No.	Title	Edition/Date of issue
8621/NZL/NBR/15	NNO 280 Test report No. 8621-NZL-NBR-15	IEI Warsaw / 16.04.2015
8602/NZL/NBR/15	NNO 440 Test report No. 8602-NZL-NBR-15	IEI Warsaw / 12.03.2015
400/NZL/NBW/2014/O	NNO Test report No. 400-NZL-NBW-2014-O	IEI Warsaw / 20.02.2015
178/NZL/NBW/2014/O	NNO Test report No. 178-NZL-NBW-2014-O	IEI Warsaw / 06.06.2014

5) The object of the declaration described above is in conformity with the requirements of the following standards

Standard/date of issue:

IEC 61643-11:2011
PN-EN 60112:2003+A1:2010
PN-EN 60695-10-2:2014
PN-EN 60659-2-10:2013
PN-EN 60659-2-11:2005

6) Signed for and on behalf of

Izoelektro d.o.o.
Peter Pungerčar

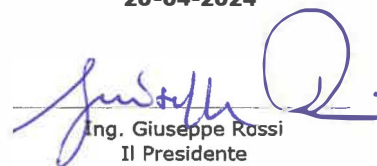
Function

CEO7) Place and date of issue
Limbuš, 06. 01. 2017


IZOELEKTRO
 Limbuška c. 2, 2341 Limbuš, Slovenija, EU
 Signature

CERTIFICATO DI ACCREDITAMENTO

Accreditation Certificate

ACCREDITAMENTO N.
ACCREDITATION N. **0030L REV. 03**EMESSO DA
ISSUED BY **DIPARTIMENTO LABORATORI DI PROVA**SI DICHIARA CHE
WE DECLARE THAT **CESI S.p.A.**
Sede/Headquarters:
Via Rubattino 54 - 20134 Milano MIÈ CONFORME AI REQUISITI
DELLA NORMA **UNI CEI EN ISO/IEC 17025:2018**MEETS THE REQUIREMENTS
OF THE STANDARD **ISO/IEC 17025:2017**QUALE
AS **Laboratorio di Prova**
Testing LaboratoryData di 1^a emissione
1st issue date
27-02-1992Data di modifica
Modification date
23-04-2020Data di scadenza
Expiring date
20-04-2024Dott.ssa Silvia Tramontin
Il Direttore di Dipartimento
The Department DirectorDott. Filippo Trifiletti
Il Direttore Generale
The General DirectorIng. Giuseppe Rossi
Il Presidente
The President

L'accreditamento attesta la competenza tecnica del Laboratorio relativamente al campo di accreditamento riportato nell'Elenco Prove allegato al presente certificato di accreditamento.

Il presente certificato non è da ritenersi valido se non accompagnato dagli Elenchi Prove, che possono variare nel tempo. La validità dell'accreditamento può essere verificata sul sito web (www.accredia.it) o richiesta al Dipartimento di competenza. I requisiti di sistema riportati nella norma ISO/IEC 17025 sono scritti in un linguaggio attinente alle attività di laboratorio e sono generalmente in accordo con i principi della norma ISO 9001 (si veda il comunicato congiunto ISO-ILAC-IAF dell'Aprile 2017).

The accreditation certifies the technical competence of the laboratory limited to the scope detailed in the attached Enclosure. The present certificate is valid only if associated to the annexed schedule, that may vary in the time. Confirmation of the validity of accreditation can be verified on website www.accredia.it or by contacting the relevant Department. The management system requirements in ISO/IEC 17025 are written in language relevant to laboratories operations and generally operate in accordance with the principles of ISO 9001 (refer joint ISO-ILAC-IAF Communiqué dated April 2017).

CERTIFICATO DI ACCREDITAMENTO

Accreditation Certificate

ACCREDITAMENTO N.
ACCREDITATION N.**0030L REV. 03**EMESSO DA
ISSUED BY**DIPARTIMENTO LABORATORI DI PROVA****CESI S.p.A.**

Sedi operative/Branch Offices:

- Sede A: Via Rubattino 54 - 20134 Milano MI
- Sede B: Via Nino Bixio 39 - 29100 Piacenza PC
- Sede C: Via Pastrengo 9 - 24068 Seriate BG

The logo for SIQ, consisting of the letters 'SIQ' in a bold, blue, sans-serif font. The 'I' and 'Q' are connected. The logo is centered between two thick, horizontal blue bars.

Certifikat / Certificate

for
Management System

IZOELEKTRO d.o.o.

Limbuška cesta 2, 2341 Limbuš, Slovenia

Development, production and sale of power supply equipment

*adequately operates and maintains a management system
which meets the requirements of the standard*

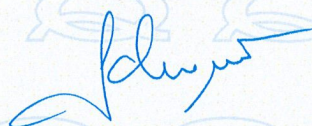
ISO 14001:2015

Certificate No. / Certification date

E-238 / 2007-12-19

Issue **08 / 2022-12-20** *Valid until:* **2026-01-31**

*Director of SIQ Ljubljana
Gregor Schoss*

A handwritten signature in blue ink, appearing to read 'Gregor Schoss', written over a faint blue circular watermark.

SIQ is a member of



**SLOVENSKA
AKREDITACIJA**
SIST EN ISO/IEC 17021-1
CS-001



SIQ Ljubljana, Mašera-Spasičeva ulica 10, 1000 Ljubljana, Slovenija



Certifikat / Certificate

*for
Management System*

IZOELEKTRO d.o.o.

Limbuška cesta 2, 2341 Limbuš, Slovenia

Development, production and sale of power supply equipment

*adequately operates and maintains a management system
which meets the requirements of the standard*

ISO 9001:2015

Certificate No. / Certification date

Q-262 / 2000-05-23

Issue 08 / 2021-12-22 Valid until: 2024-12-31

Director of SIQ Ljubljana

Gregor Schoss



**SLOVENSKA
AKREDITACIJA**
SIST EN ISO/IEC 17021-1
CS-001



SIQ Ljubljana, Mašera-Spasičeva ulica 10, 1000 Ljubljana, Slovenija

March 18, 2024

CERTIFICATE OF DISTRIBUTOR

To Whom It May Concern

Izoelektro d.o.o., a company incorporated under the laws of the Republic of Slovenia and having its registered office at "Limbuška cesta 2, 2341 Limbuš, Slovenia", informs all concerned that "Electrocon" Ltd, a company incorporated under the laws of the Republic of Moldova and having its registered office at "19 Maria Dragan str., MD-2052 Cishinau, Republic of Moldova", has been appointed as the official distributor for Izoelektro products for the country of Moldova. This appointment is valid until the end of 2024.

Sincerely,

IZOELEKTRO d.o.o.

Jure Pungerčar,

Head of Commercial Department



IZOELEKTRO

Limbuška c. 2, 2341 Limbuš, Slovenija, EU

Declaration number: **01/2014**

REACH / SVHC Declaration

Full name and address of the supplier and the manufacturer:

IZOELEKTRO d.o.o.,
Limbuška cesta 2,
2341, Limbuš,
Slovenija

We herewith declare that our products comply with the requirements of European regulation on the registration, evaluation, authorization and restriction of chemicals No. 1907/2006 (REACH).

In cooperation with our suppliers of components and materials we guarantee that the content substances noted in the ECHA document Candidate List of Substances of Very High Concern for Authorisation (SVHC-list) will never exceed the permitted values concentration of 0.1%.

Background for the declaration:

Izoelektro d.o.o. is a down-stream user not manufacturing chemicals. We are working upon basis of the registrations made by our suppliers. Izoelektro d.o.o. does not intentionally add substances to the raw-materials delivered by the suppliers.

Place and date: Limbuš, 26.05.2015

Signature:


IZOELEKTRO
Limbuška c. 2, 2341 Limbuš, Slovenija, EU
Milan Petek,
Product manager

Date: 18.03.2024

WARRANTY PERIOD OF OFFERED PRODUCTS


We state that the offered LV surge arresters in the offer have the following warranty period:

LV voltage surge arresters NNO 10/440:

- warranty period 24 months,

Name of company: Izoelektro d.o.o.
Address of company: Limbuška cesta 2
2341 Limbuš
SLOVENIA

Signature of authorized person:

Peter Pungerčar,
Director

IZOELEKTRO
Limbuška c. 2, 2341 Limbuš, Slovenija, EU

"Electrocon" Ltd

Our sign: 24E-008/TK

Date: 22.03.2024

19 Maria Dragan str.
MD-2052 Cishinau
Republic of Moldova

Subject: Statement of silicone

We, the company Izoelektro d. o. o. with our head office at Limbuška cesta 2, 2341 Limbuš, state that our outer shell is manufactured from a polymer based on rubber and silicone by injection method. The percentage of silicone polymer is more than 30%. We also state that ethylene propylene rubber (EPDM) nor ethylene propylene is not used in our silicone composition to silicone polymer joints.

Tadej Kovač, M.E.E.,

development

IZOELEKTRO

Limbuška c. 2, 2341 Limbuš, Slovenija, EU

Kovač