

EN



Movement by Perfection



The Royal League in ventilation, control and drive technology



Product documentation

Type  
FN080-SDA.6N.V7

Article number  
138298

## Product documentation

ZIEHL-ABEGG Contact  
Hauzenberger, Erich / ZA Austria  
hauzenberger@ziehl-abegg.at  
+43 7229 94149 29  
ZIEHL-ABEGG Subsidiary  
ZIEHL-ABEGG Ges.m.b.H.  
Poststraße 70  
A-4061 Pasching  
Österreich  
Tel +43 7229 94149  
www.ziehl-abegg.at  
info@ziehl-abegg.at

Type  
FN080-SDA.6N.V7

Article number  
138298



### Table of Contents

1.	Recitals	3
2.	Product Specification - Technical Data	4
3.	Characteristic Curve	6
4.	Drawing	7
5.	Connection Diagram	8
6.	EU-Declaration of Conformity	9

### 1. Recitals

The Product Specifications contained in this document are final, unless otherwise stated by a separate provision in the "ZIEHL-ABEGG deviation list document" with respect to information provided by the customer (cp. separate Chapter: Attachment).

Other regulations between the parties, regardless of time, form or content, are not part of the subject matter of the contract and the agreement on characteristics/of features (Product Specifications) between the parties.

Compliance with the following specifications is mandatory to ensure the functionality and safety of the product. If the following specifications given especially but not limited for operating conditions, transport, storage, mounting, start-up, maintenance and repair are not observed, the product may not operate safely and may cause a hazard to the life and limb of users and third parties.

Deviations from the following requirements may therefore lead both to the loss of the statutory material defect liability rights and to the liability of the buyer for the product that has become unsafe due to the deviation from the specifications.

## 2. Product Specification - Technical Data

<b>Article number</b>	138298
<b>Type key</b>	FN080-SDA.6N.V7
<b>Designation</b>	Axial fan with sickle blades
<b>Fan design</b>	without add-on parts.
<b>Rated values</b>	3~400V D/Y 50Hz P(1) 1.80/1.15kW 3.9/2.2A $\Delta I=5\%$ 900/700/min COSY 0,68 65°C Hz
<b>Electrical connection</b>	Terminal box K62
<b>Conformity</b>	ErP2026-Status: Non compliant
<b>ErP Data</b>	Measurement category ErP: A Air flow q(v) on Eta opt: 16595 m3/h Pressure increase p(fs) on Eta opt: 142 Pa Input power P(1) on Eta opt: 1830 W Efficiency H(statA): 36.8 % Efficiency grade: $N(\text{actual}) = 41.5 / N(\text{target}) = 40^*$ *ErP 2015
<b>Thermal class</b>	THCL155
<b>Painting motor</b>	Fan unpainted
<b>Material rotor</b>	Aluminium
<b>Painting rotor</b>	Rotor unpainted
<b>Material blades/impeller</b>	Aluminium
<b>Painting impeller</b>	Blades unpainted
<b>Connection diagram</b>	wiring diagram: 1360-108XA
<b>Fitting position</b>	H/Vu/Vo
<b>Motor protection</b>	thermal contact
<b>Type of protection</b>	IP54
<b>Impregnation</b>	Moisture and hot climate protection
<b>Quality of bearings</b>	ball bearing with long-time lubrication
<b>Colour motor</b>	Fan unpainted.
<b>Rating plate</b>	1x fixed
<b>Condens. drain holes</b>	Condensation drain holes stator/rotor open
<b>Miscellaneous</b>	
<b>Terminal box mount</b>	Mounted on Stator
<b>Number of blades</b>	7
<b>Operating manual</b>	L-BAL-F001
<b>Weight</b>	29.20 kg
<b>Min. operating temperature</b>	-40°C***
<b>Disclaimer CT20/DOE</b>	This product is currently not tested for compliance with U.S. DOE and CT20 regulations. The Purchase constitutes confirmation that the products intended use is exempt as per 10 CFR Part 431.174 paragraph A(3), or is for use in markets unaffected by these standards, as our customer we recommend you to verify local compliance prior to use.

**Article number**  
**138298**

# The Royal League

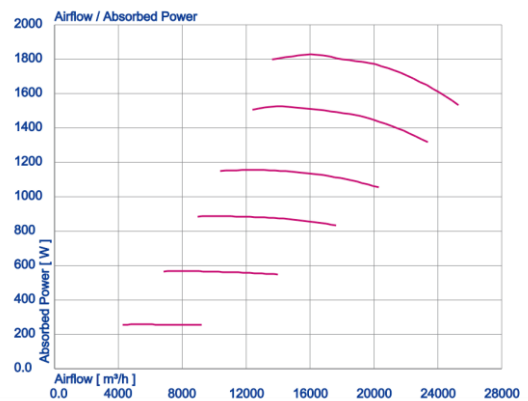
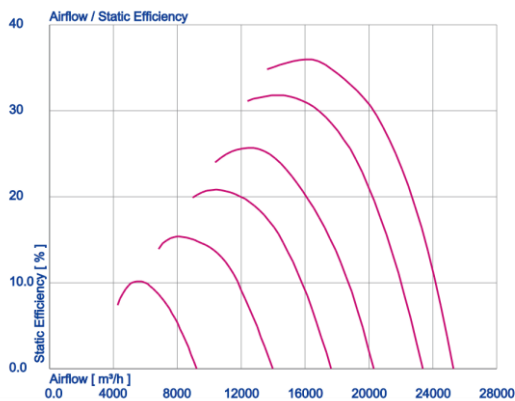
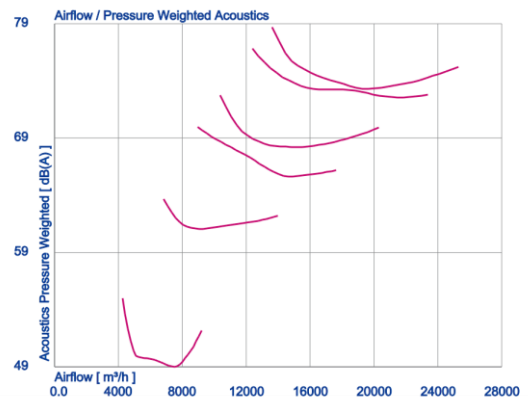
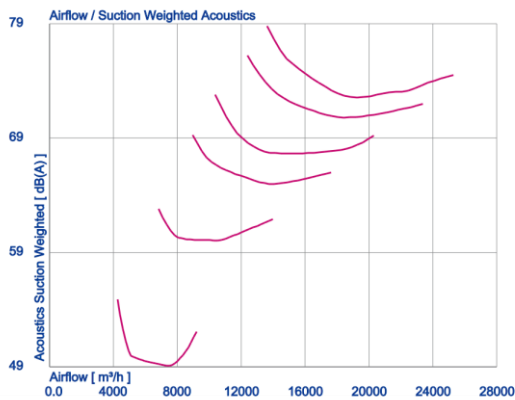
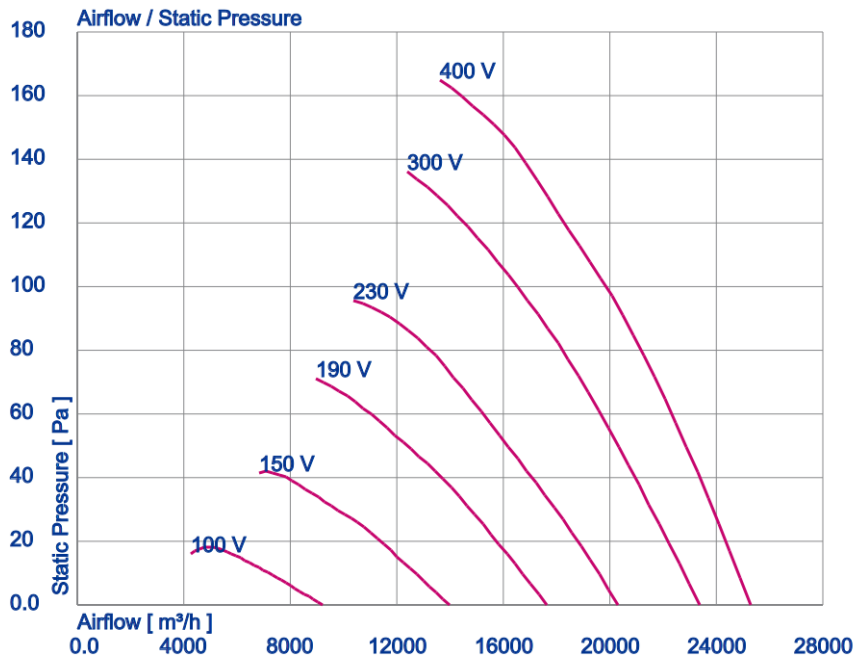
## Die Königsklasse

\*\*\* Operation mode: Continuous operation with occasional starts (S1) according to DIN EN 60034-1:2011-02. Occasional starting between -40 °C and -25 °C is permissible. Continuous operation below -25 °C only with special bearings for refrigeration applications on request.

### 3. Characteristic Curve

3~400V 50Hz  
according to ISO5801

Measured in full nozzle without guard grille in air flow direction V in installation type A

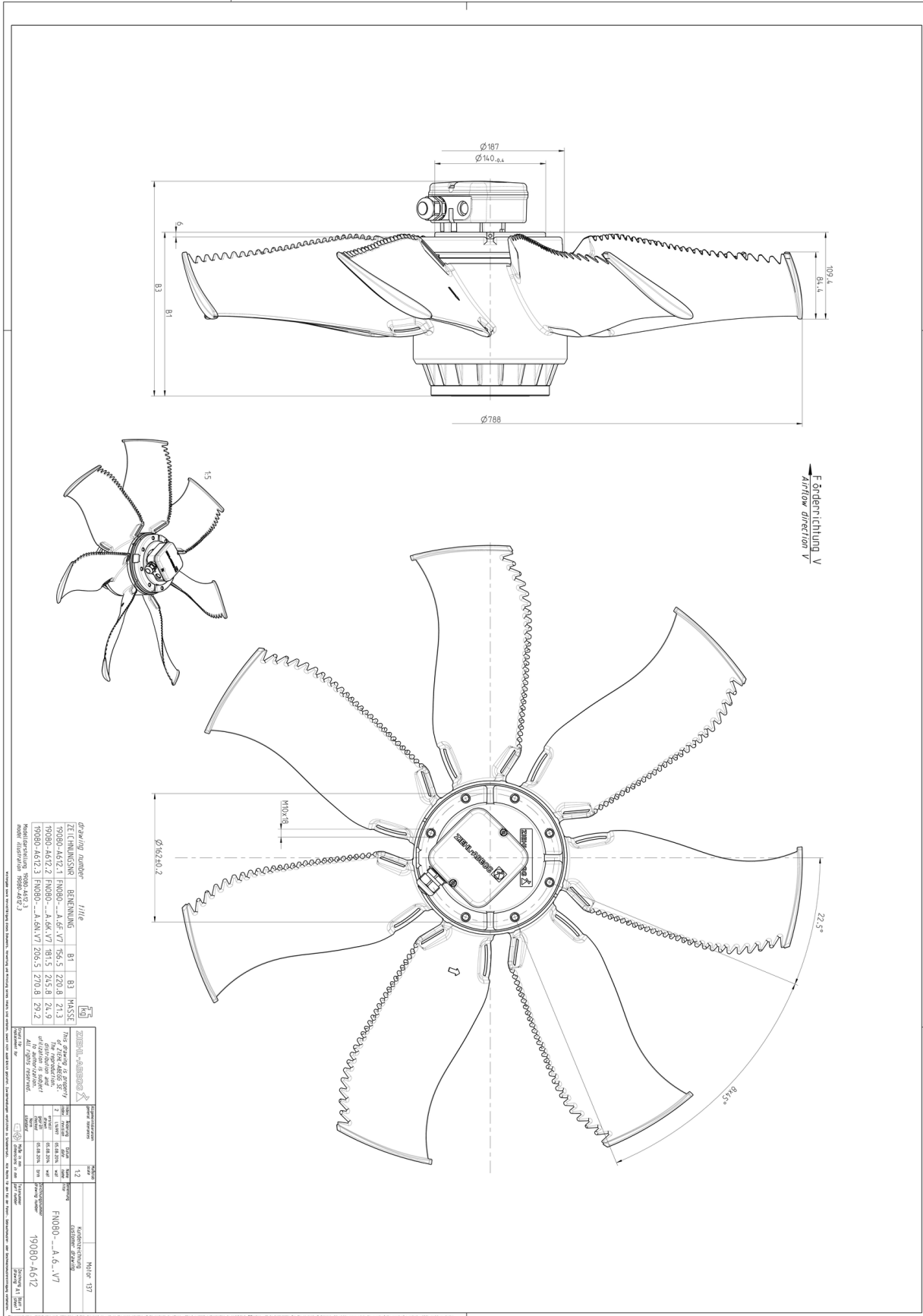


# The Royal League

## Die Königsklasse

Article number  
138298

### 4. Drawing



Dimensions in mm

The illustrations shown make no claim to completeness and are for orientation purposes only.

www.ziehl-abegg.com

Movement by Perfection | Bewegung durch Perfektion

7 | 10

© ZIEHL-ABEGG SE

All rights reserved. Confidential and proprietary document, not to be disclosed or used except in accordance with applicable agreements. No disclosure to third parties, if not expressly agreed by ZA SE.

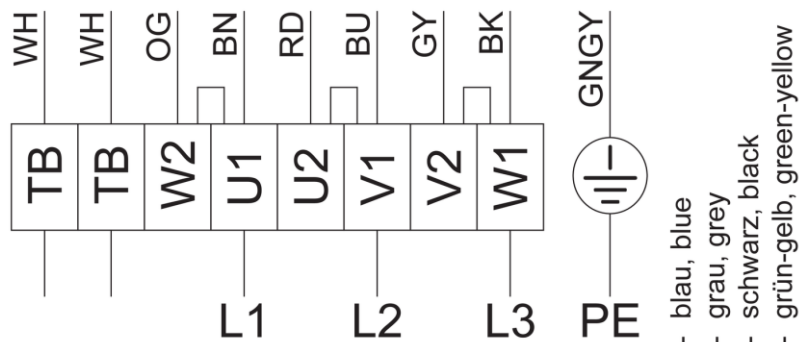
### 5. Connection Diagram

3~ Motor mit 2 Drehzahlen ( $\Delta$ /Y-Umschaltung) und Thermostatschalter (falls eingebaut). Ohne Brücke bei Verwendung von Drehzahlumschalter.

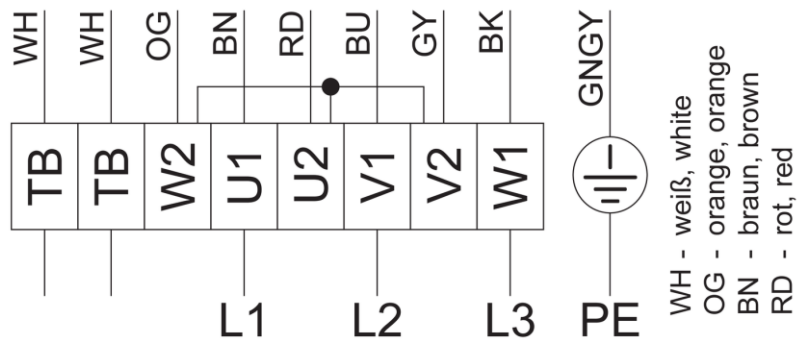
3~ motor, 2 speeds ( $\Delta$ /Y switch over) with thermostatic switch (if built in). Without bridge when using speed change-over switch.

Hohe Drehzahl /  $\Delta$ -Schaltung  
High speed /  $\Delta$ -connection

108XA-05



Niedere Drehzahl / Y-Schaltung  
Low speed / Y-connection



## 6. EU-Declaration of Conformity

### EU declaration of conformity

- Translation -  
(english)  
ZA75-GB 2024/43 Index 020

**Manufacturer:** ZIEHL-ABEGG SE  
Heinz-Ziehl-Straße  
74653 Künzelsau  
Germany

The manufacturer is solely responsible for issuance of the declaration of conformity.

#### The products:

- External rotor motor MK.., MW..
- Axial fan DN.., FA.., FB.., FC.., FE.., FF.., FG.., FH.., FL.., FN.., FP.., FS.., FT.., FV.., SG.., VN.., VR.., ZC.., ZF.., ZG.., ZN..
- Centrifugal fan ER.., GR.., HR.., RA.., RD.., RE.., RF.., RG.., RH.., RK.., RM.., RR.., RZ.., WR..

#### Motor type:

- Asynchronous internal or external rotor motor
- Asynchronous internal or external rotor motor with integrated frequency inverter
- Electronically commutated internal or external rotor motor
- Electronically commutated internal or external rotor motor with integrated EC controller

The above mentioned products of this declaration fulfil all relevant provisions of the following Directives of the Union:

- EMC Directive 2014/30/EU
- Low Voltage Directive 2014/35/EU
- ErP Directive 2009/125/EC, in conjunction with Regulation (EU) no. 327/2011

#### The following harmonized standards have been applied:

- EN 60034-1:2010 + AC:2010
- EN 60204-1:2018
- EN 60529:1991 + A1:2000 + A2:2013 + AC:1993 + AC:2016 + AC:2019
- EN 61000-6-2:2005 + AC:2005
- EN 61000-6-3:2007 + A1:2011 + AC:2012

#### The following additional standards were applied:

- EN IEC 61000-6-2:2019
- EN IEC 61000-6-3:2021

Compliance with the ErP Directive 2009/125/EC does not refer to external rotor motors MK.., MW..

All ErP-relevant information comprises measurements which are determined using a standardised measurement set-up. More details can be obtained from the manufacturer.

Compliance with the EMC Directive 2014/30/EU refers only to those products when they are connected by mounting / operating instructions. If these products are integrated into a system or supplemented with other components (e.g. sensing controls) and operated, the manufacturer or operator is responsible of the overall system for compliance with the EMC Directive 2014/30/EU.

Künzelsau, 22.10.2024  
(Location, date of issue)

ZIEHL-ABEGG SE  
Moritz Krämer  
Director Product Development  
Ventilation Technology  
(name, function)



(signature)

ZIEHL-ABEGG SE  
Jürgen Albig  
Global President  
Product Unit Ventilation  
(name, function)



(signature)

**ZIEHL-ABEGG** 

### EC Declaration of Incorporation

- Translation -  
(english)  
ZA87-GB 2024/43 Index 014

as defined by the EC Machinery Directive 2006/42/EC, Annex II B

**The design of the partly completed machine:**

- Axial fan DN..., FA..., FB..., FC..., FE..., FF..., FG..., FH..., FL..., FN..., FP..., FS..., FT..., FV..., SG..., VN..., VR..., ZC..., ZF..., ZG..., ZN...
- Centrifugal fan ER..., GR..., HR..., RA..., RD..., RE..., RF..., RG..., RH..., RK..., RM..., RR..., RZ..., WR...

**Motor type:**

- Asynchronous internal or external rotor motor
- Asynchronous internal or external rotor motor with integrated frequency inverter
- Electronically commutated internal or external rotor motor
- Electronically commutated internal or external rotor motor with integrated EC controller

Complies with the requirements in Appendix I, Articles 1.1.2, 1.1.5, 1.4.1, 1.5.1 in EC Machinery Directive 2006/42/EC.

The manufacturer is **ZIEHL-ABEGG SE**  
Heinz-Ziehl-Straße  
D-74653 Künzelsau

**The following harmonized standards have been applied:**

EN 60204-1:2018	Safety of machinery – Electrical equipment of machines – Part 1: General requirements
EN ISO 12100:2010	Safety of machinery – General principles for design – Risk assessment and risk reduction
EN ISO 13857:2019	Safety of machinery – Safety distances to prevent hazard zones being reached by upper and lower limbs
Note:	Compliance with EN ISO 13857:2019 relates only to the installed contact protection if it is part of the scope of delivery.

The special technical documents in accordance with Appendix VII B have been created and are available in full.

The following persons are authorized to compile the technical documents, address see above.

Upon reasonable request, the special documents shall be transmitted to the public authority. The transfer can be made electronically, on data carriers or on paper. All property rights remain with the aforementioned manufacturer.


**Start-up of this incomplete machine is prohibited until it is ensured that the machine in which it has been installed complies with the provisions of the EC Machinery Directive.**

Künzelsau, 22.10.2024  
(Location, date of issue)

ZIEHL-ABEGG SE  
Moritz Krämer  
Director Product Development  
Ventilation Technology  
(name, function)

  
(signature)

ZIEHL-ABEGG SE  
Jürgen Albig  
Global President  
Product Unit Ventilation  
(name, function)

  
(signature)

