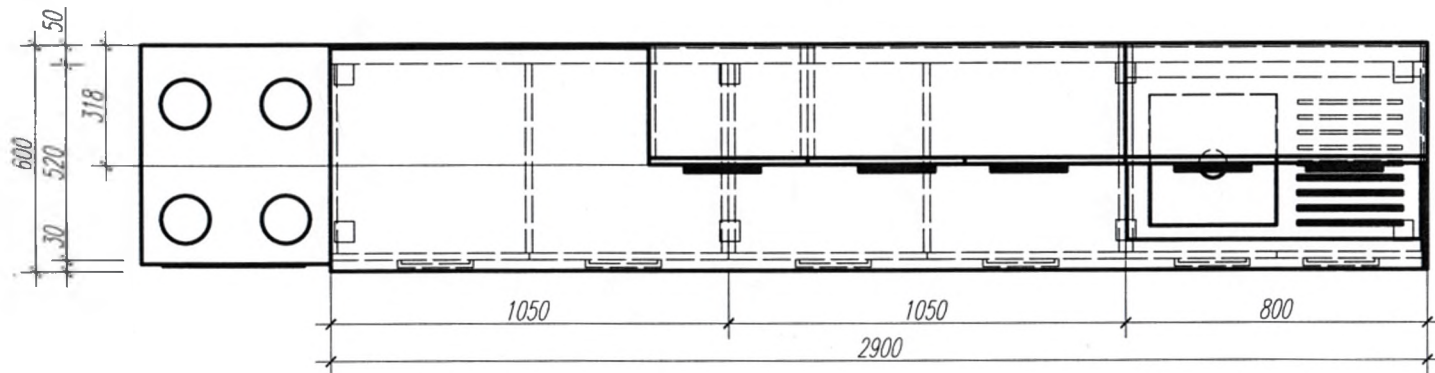
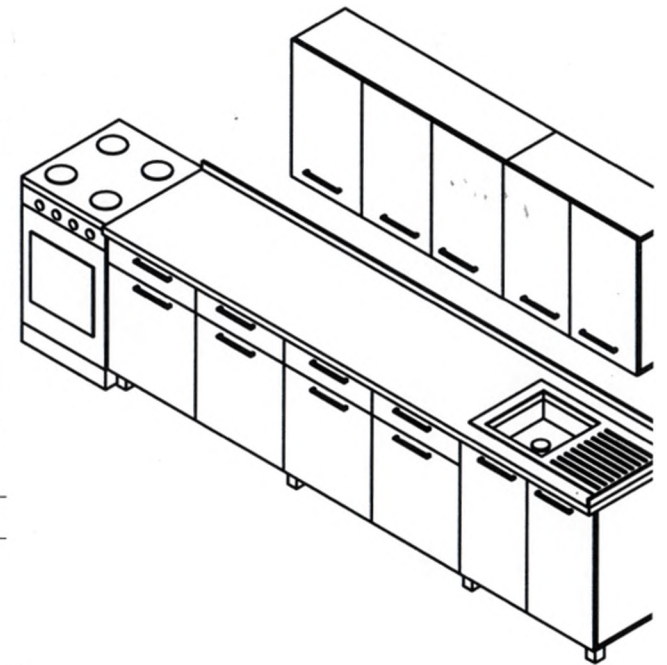
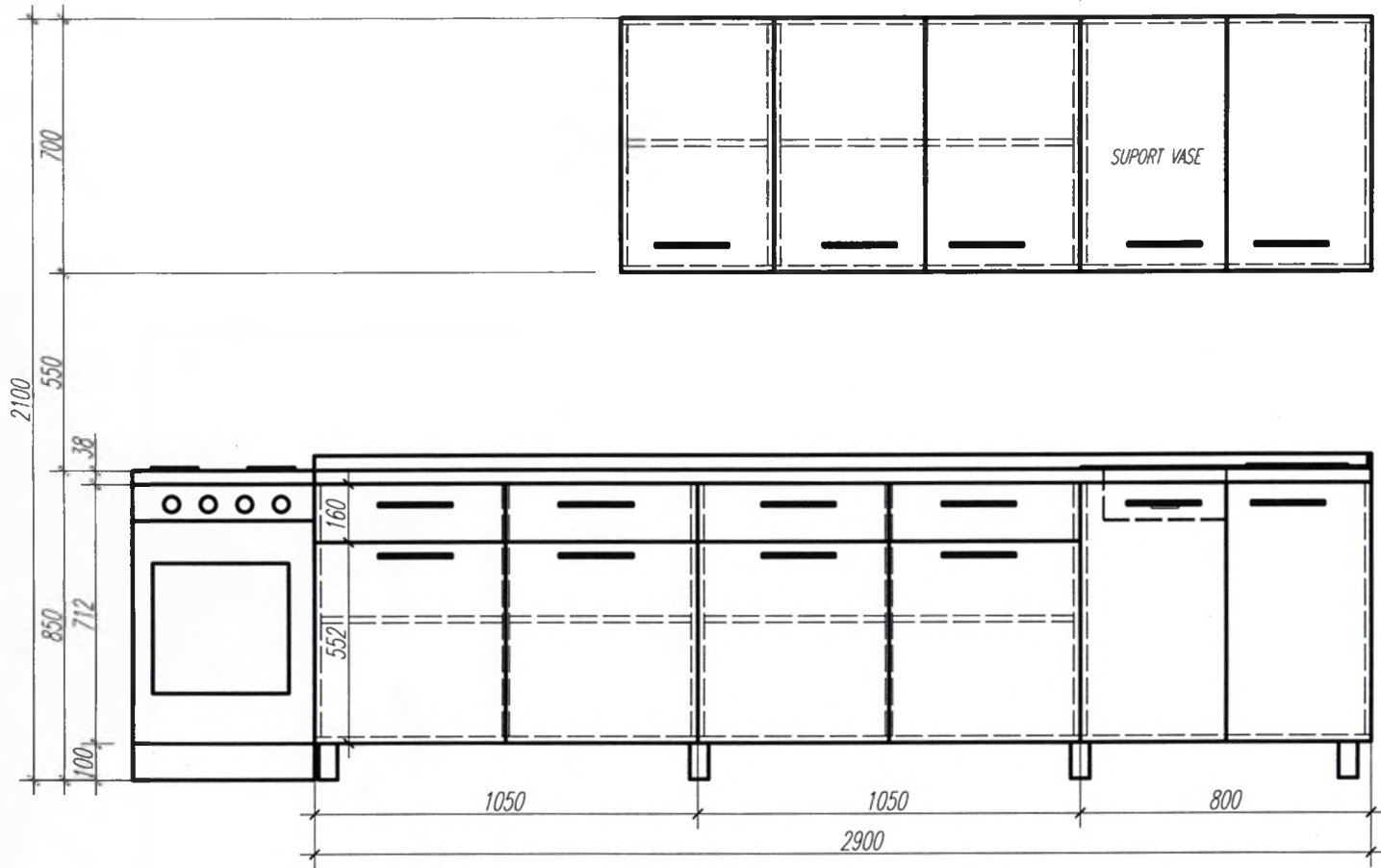
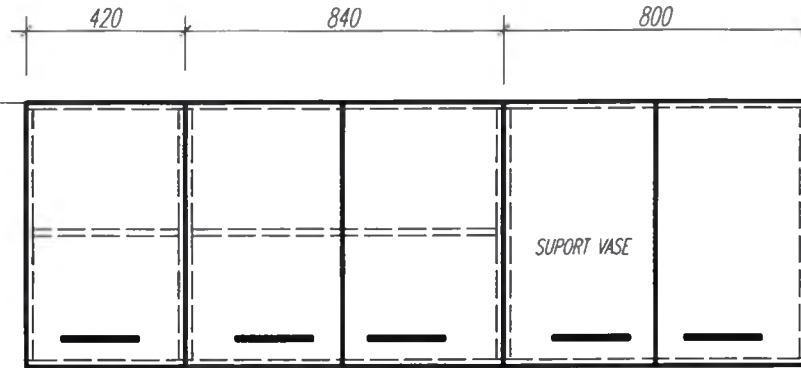


client: USMF cam.8

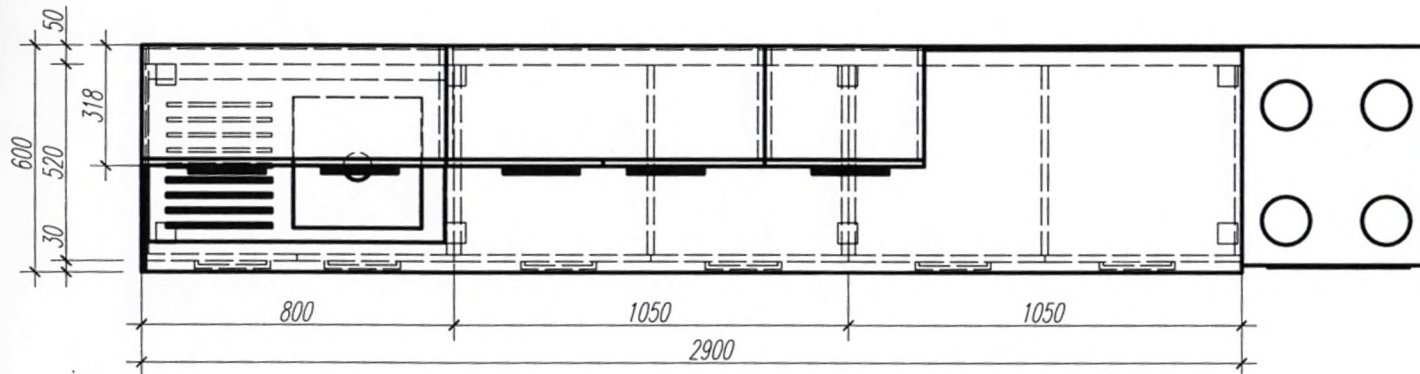
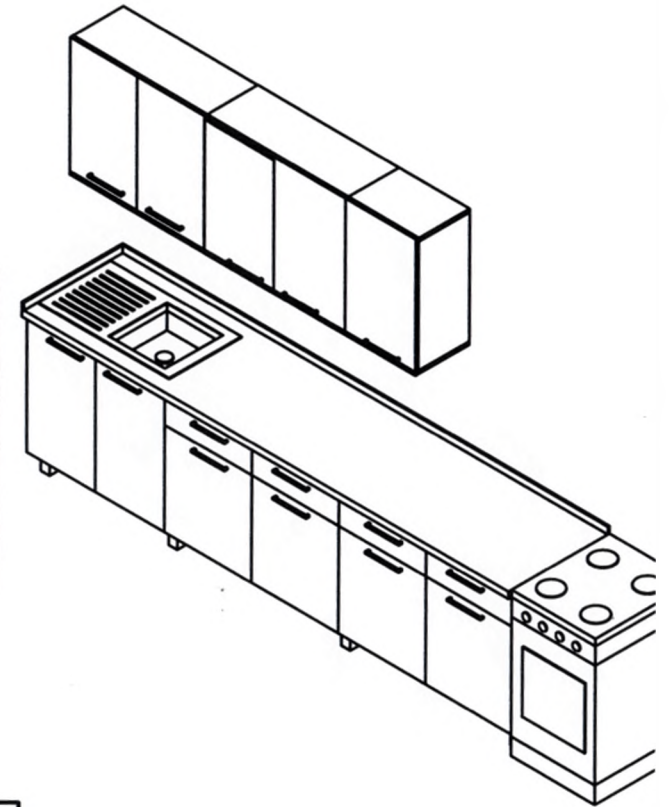
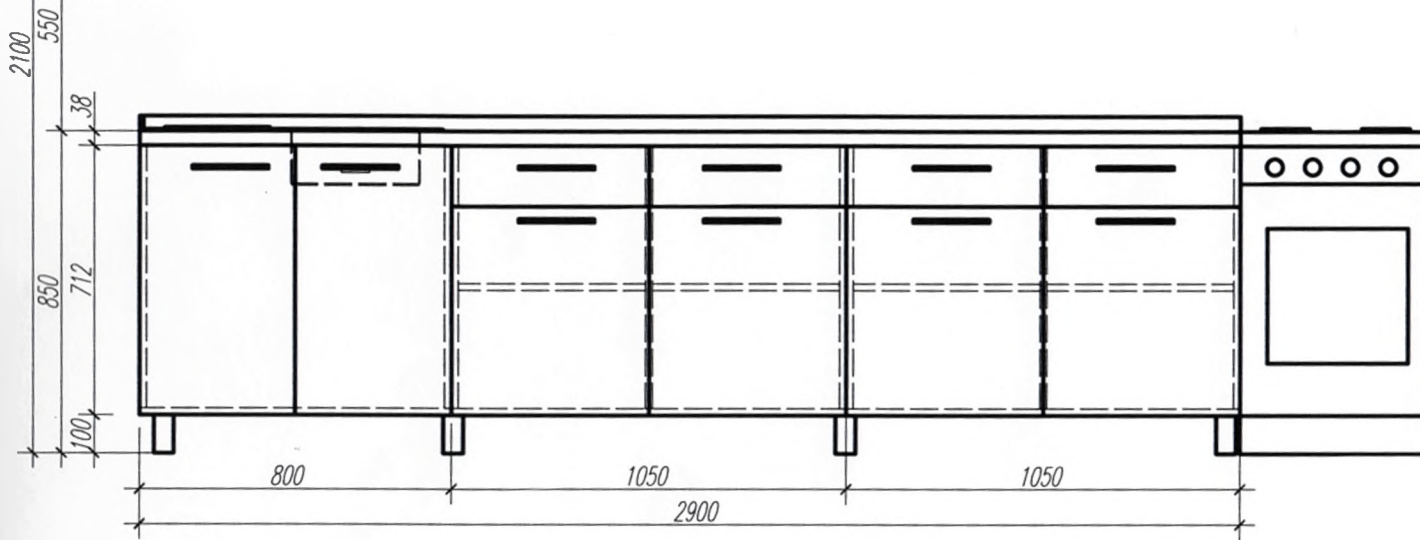
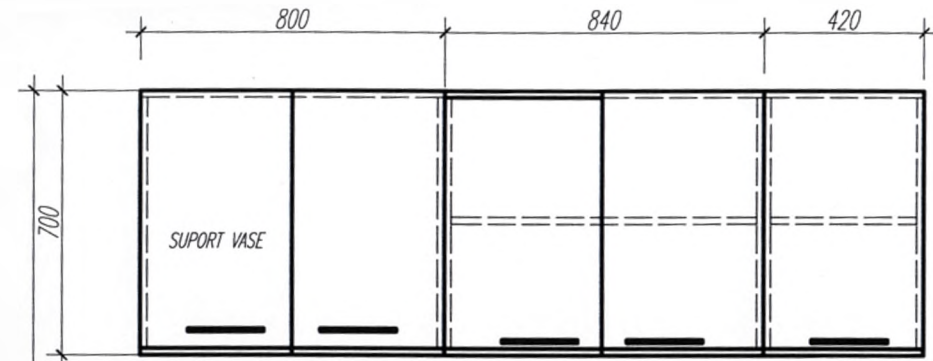
Bucatarie et.1; L=3400 (8,7m)



1 bucata

client: USMF cam.8

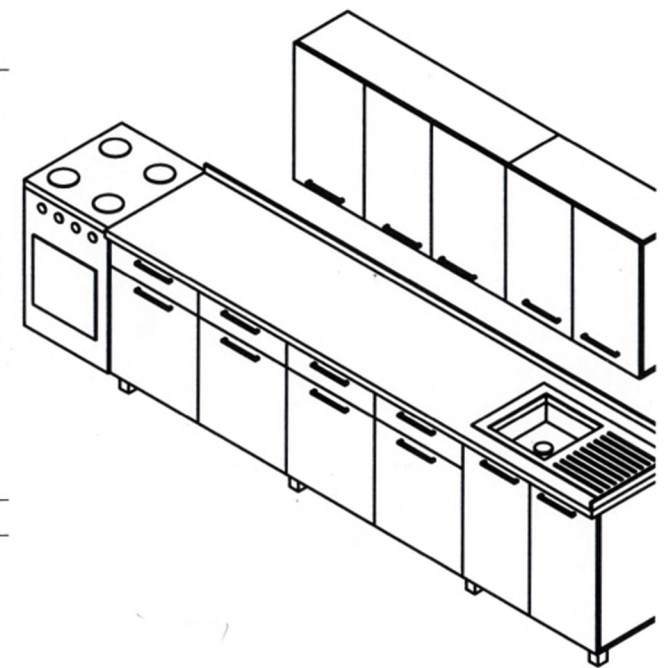
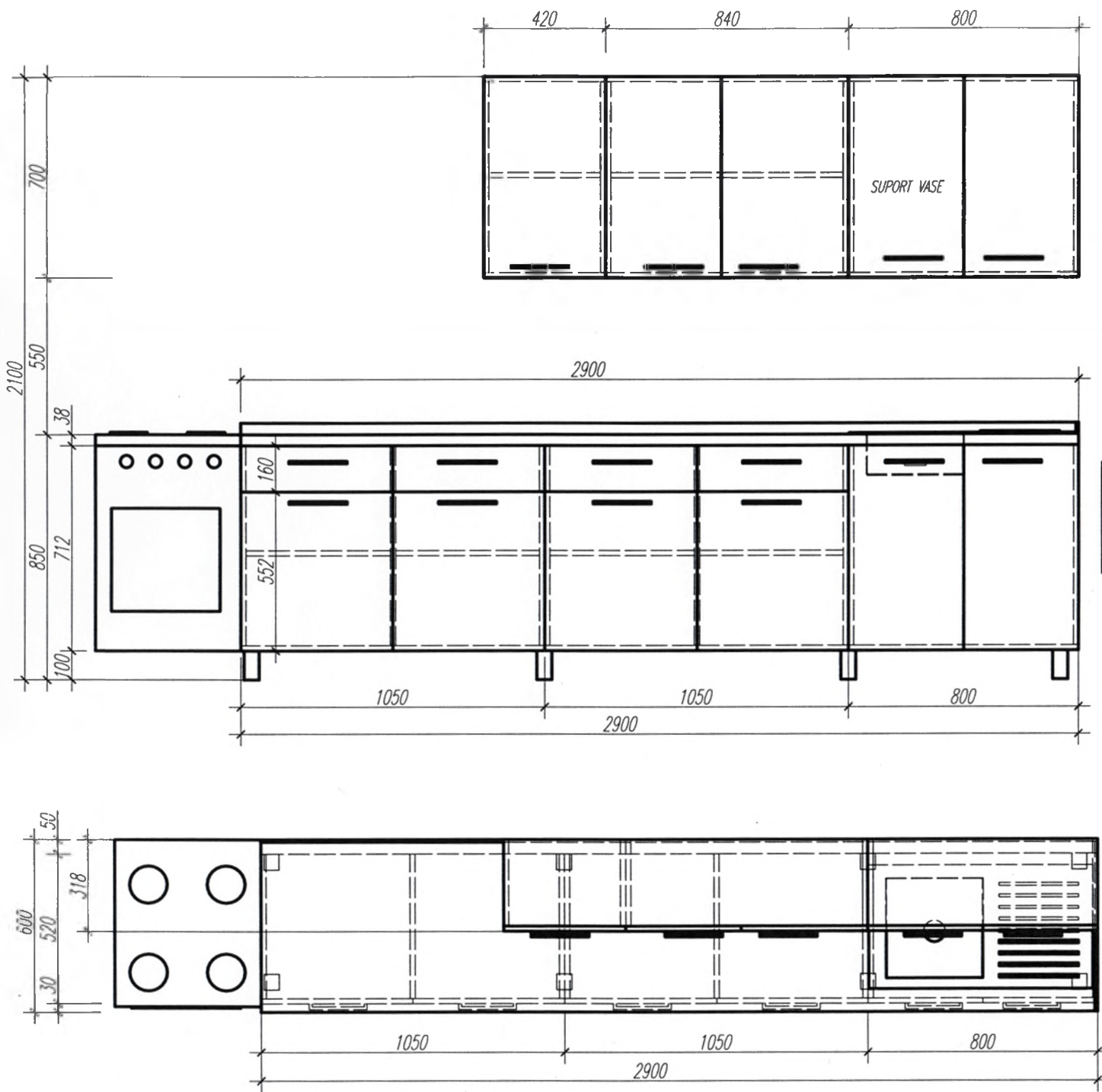
Bucatarie et.2-3-4-5; L=3400 (8,8m)



4 bucati



client: USMF cam.8  
 Bucatarie et.2-3-4-5; L=3400 (8,8m)



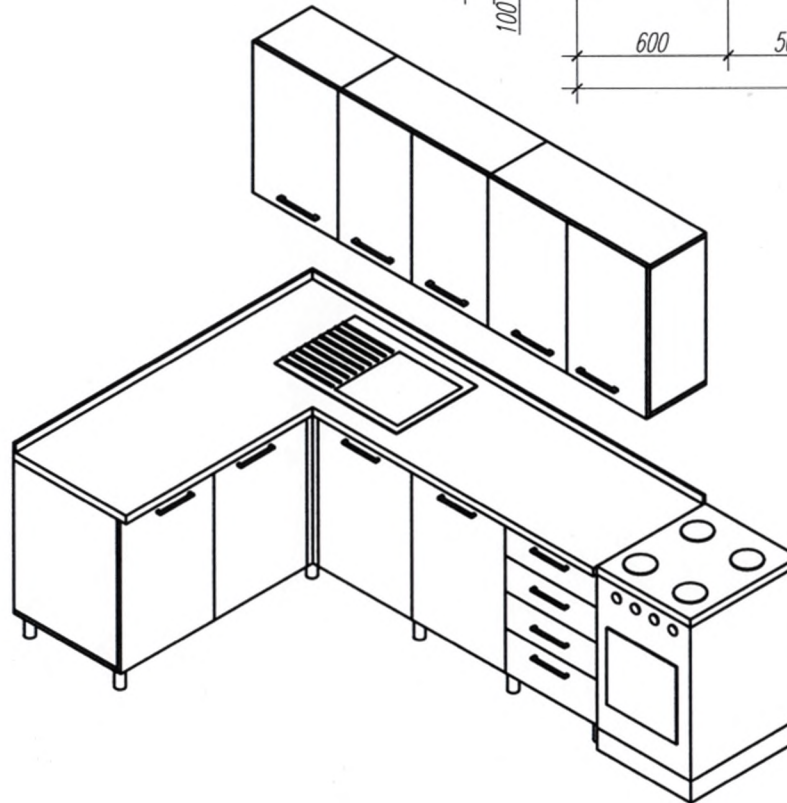
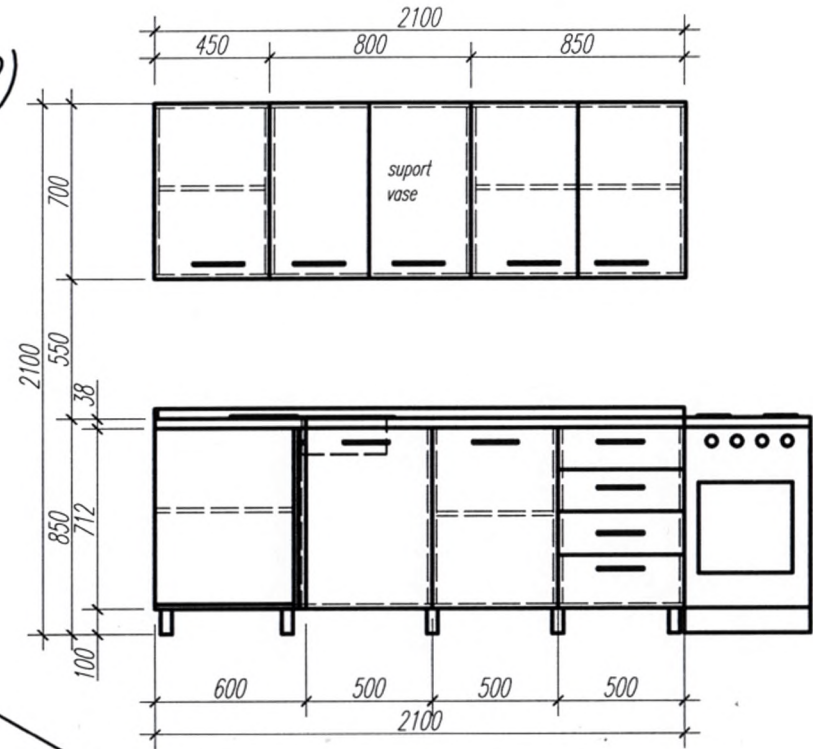
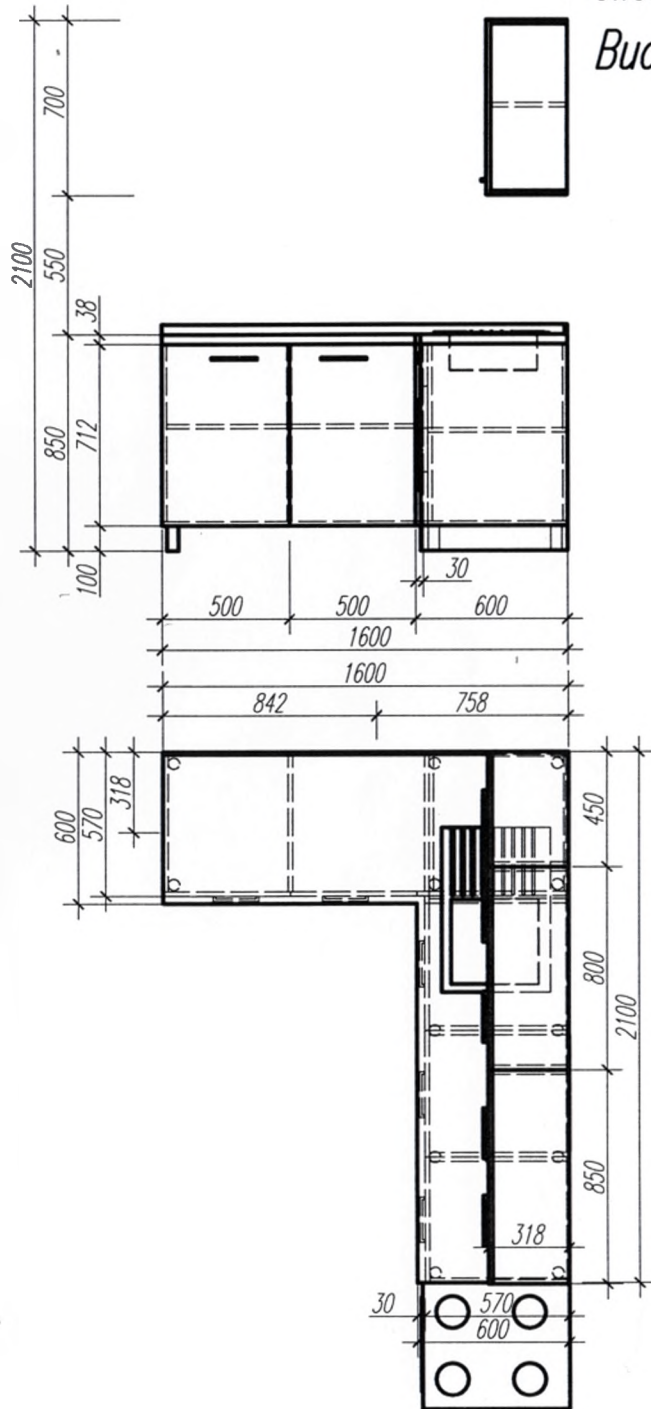
4 bucati





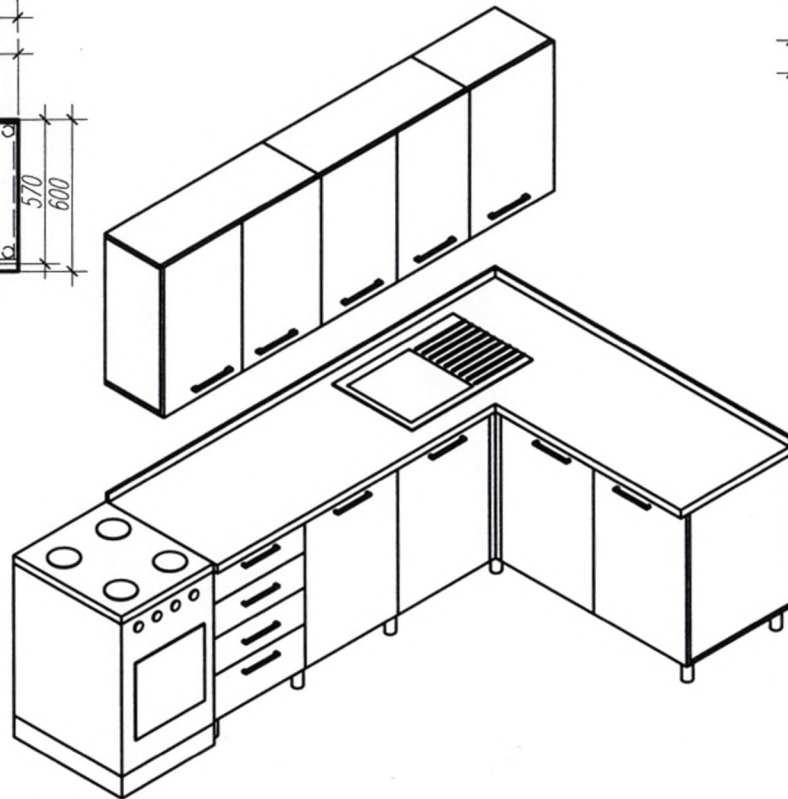
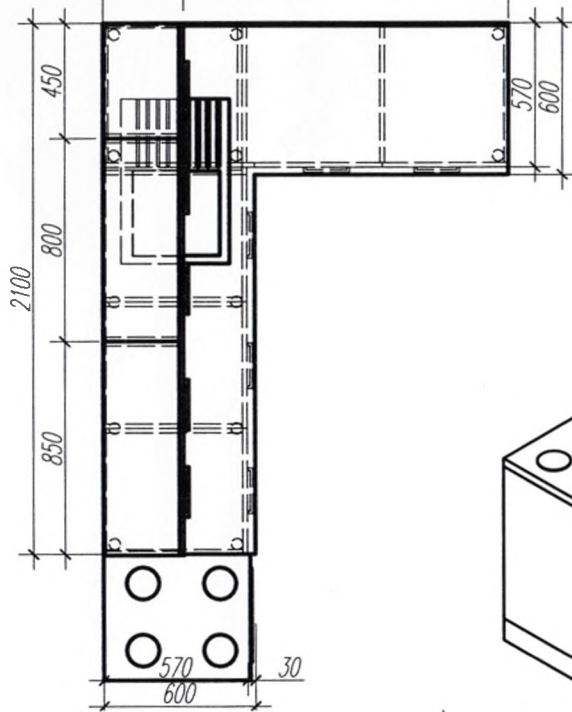
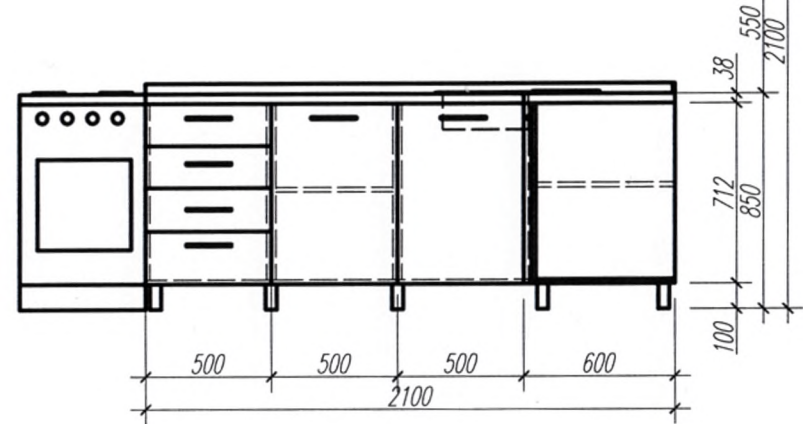
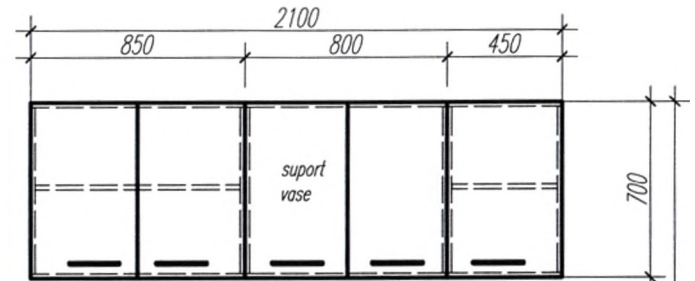
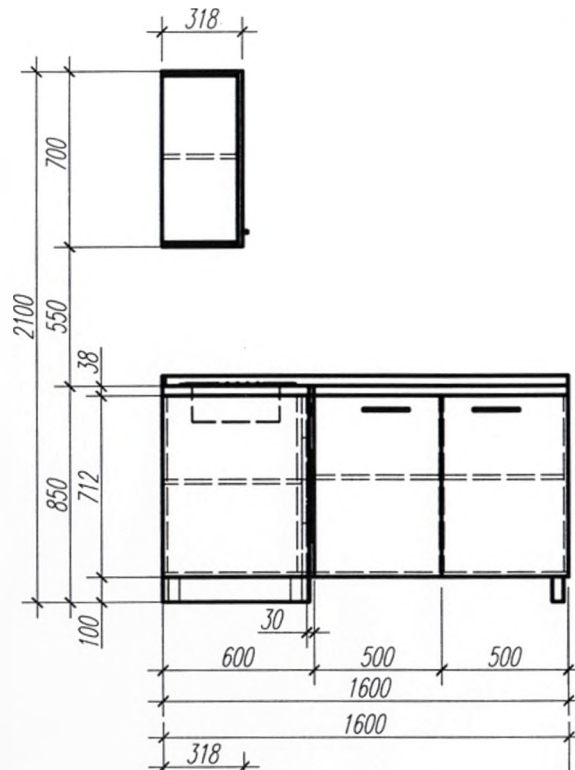
318 client: USMF cam.8

Bucatarie et.2-3-4-5 (10m2)



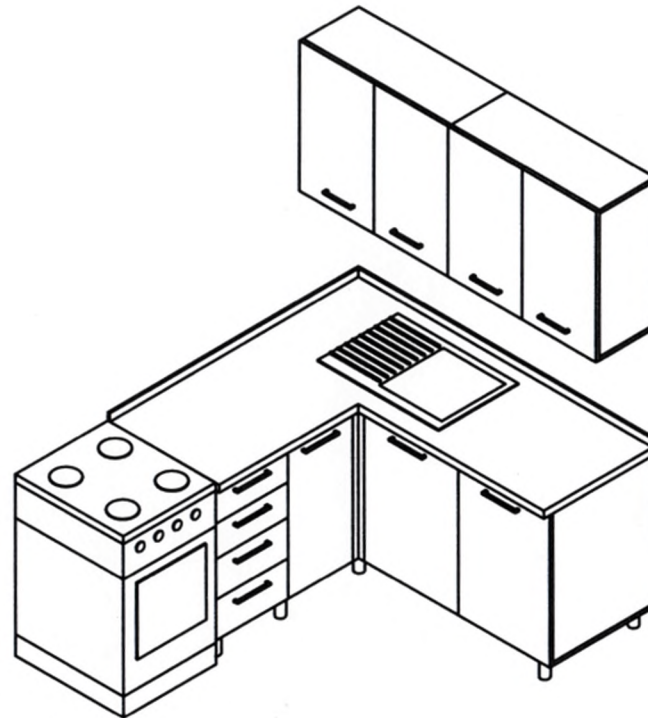
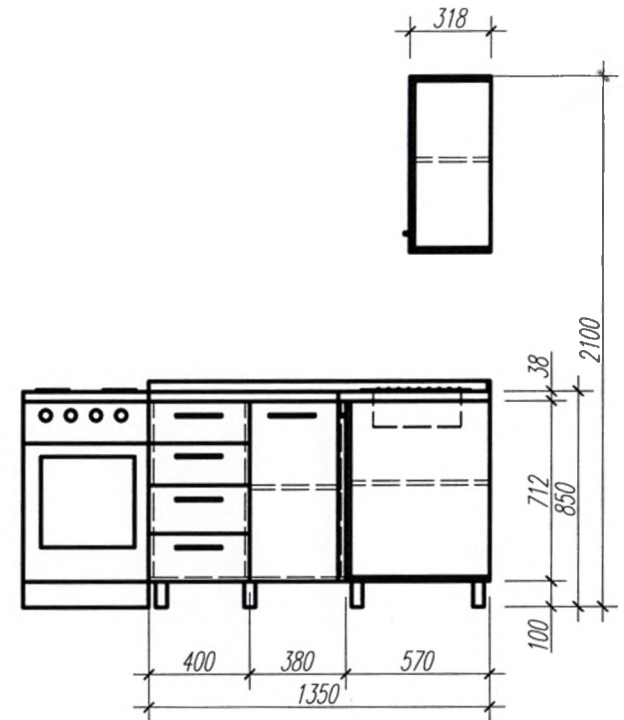
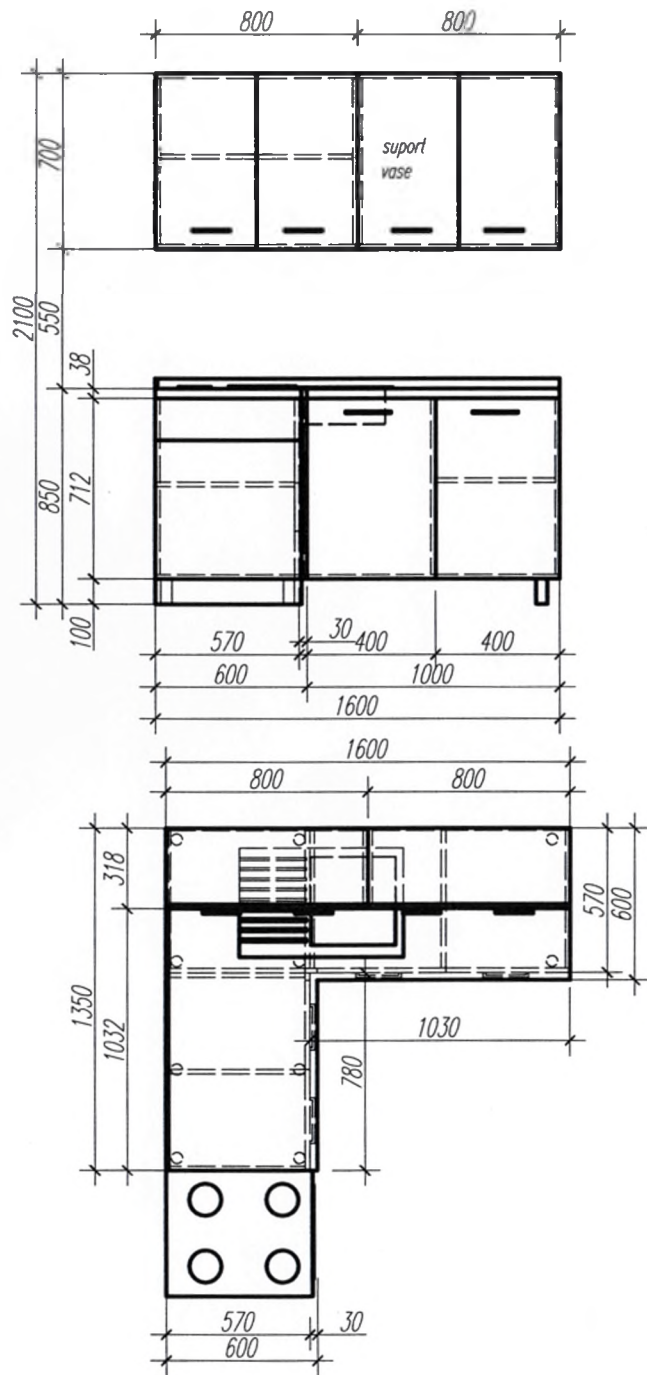
4 bucati

client: USMF cam.8  
 Bucatarie et.2-3-4-5 (10m<sup>2</sup>)



4 bucati ✓

client: USMF cam.8  
Bucatarie et.1 (6,7m)

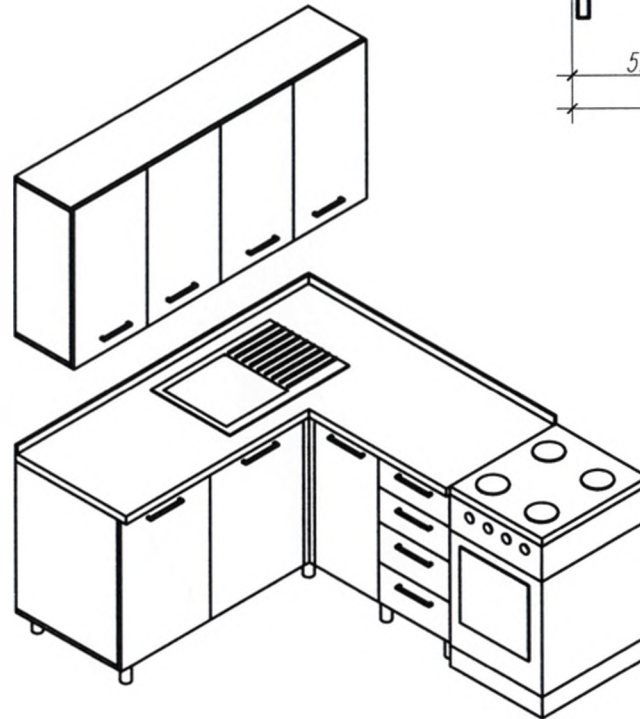
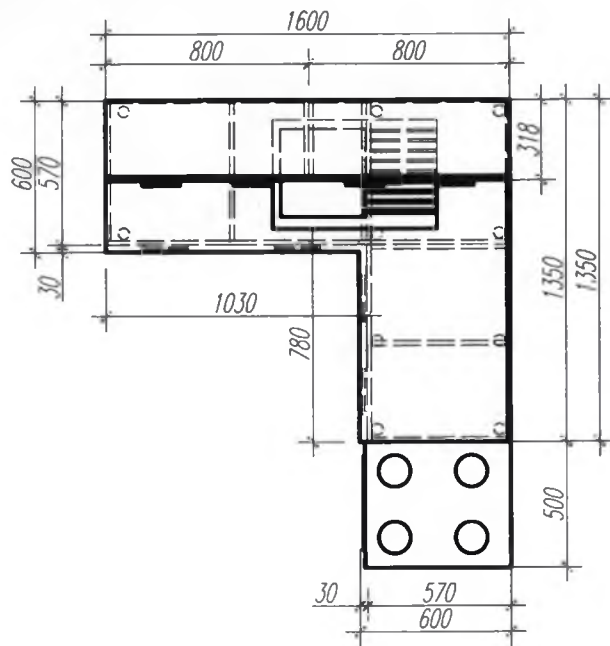
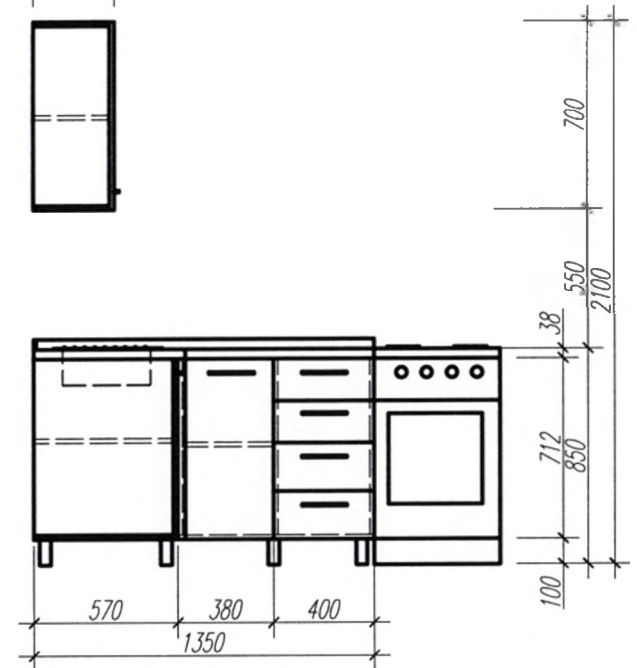
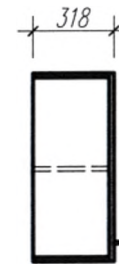
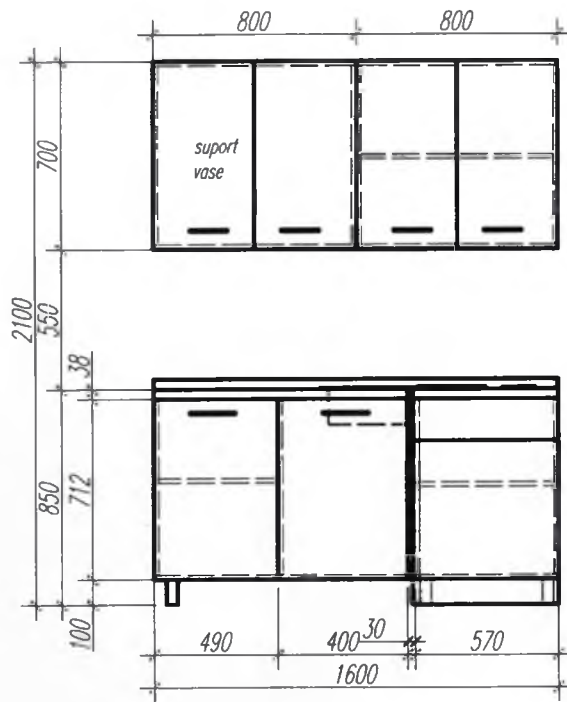


pl. p.

1 bucata



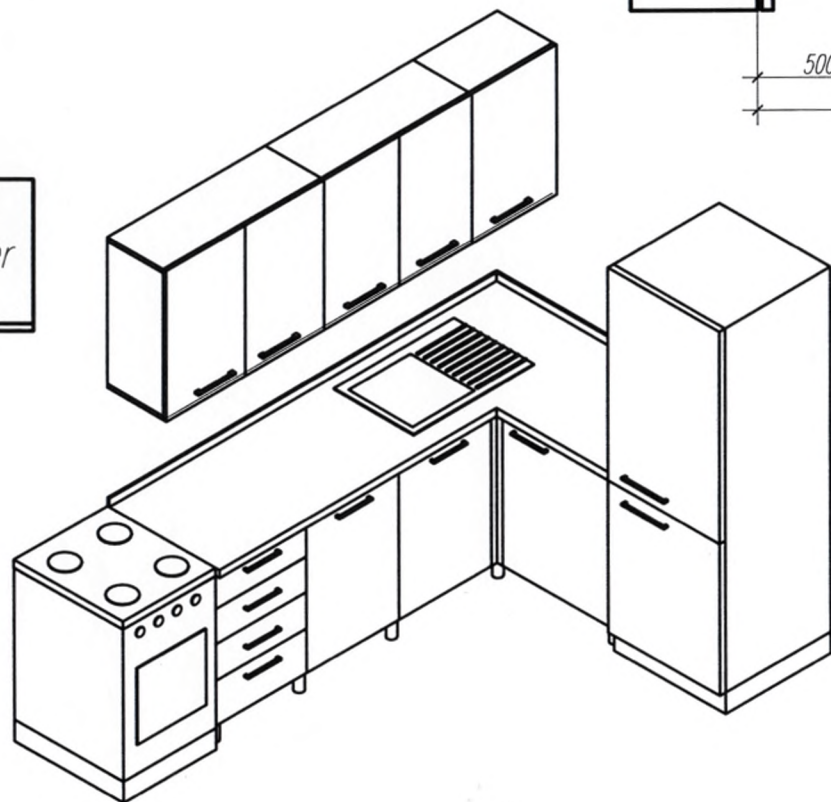
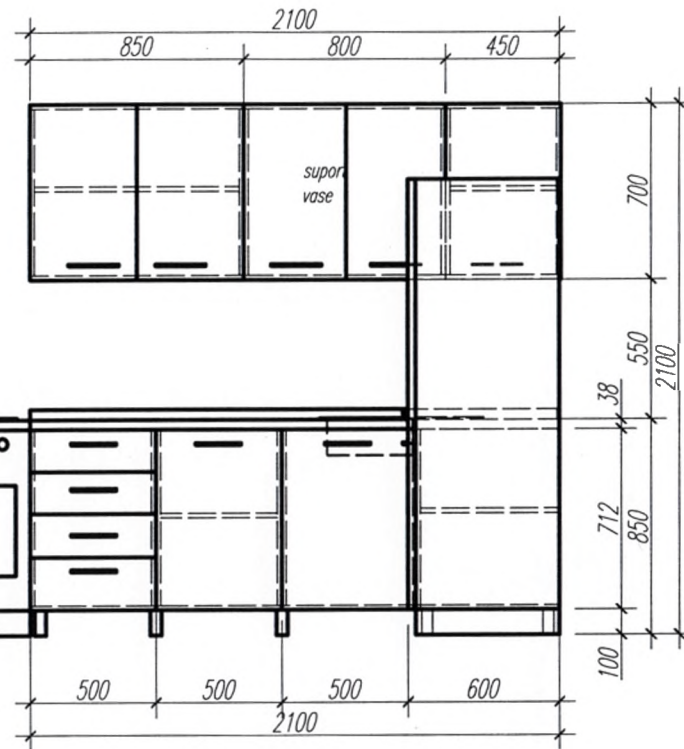
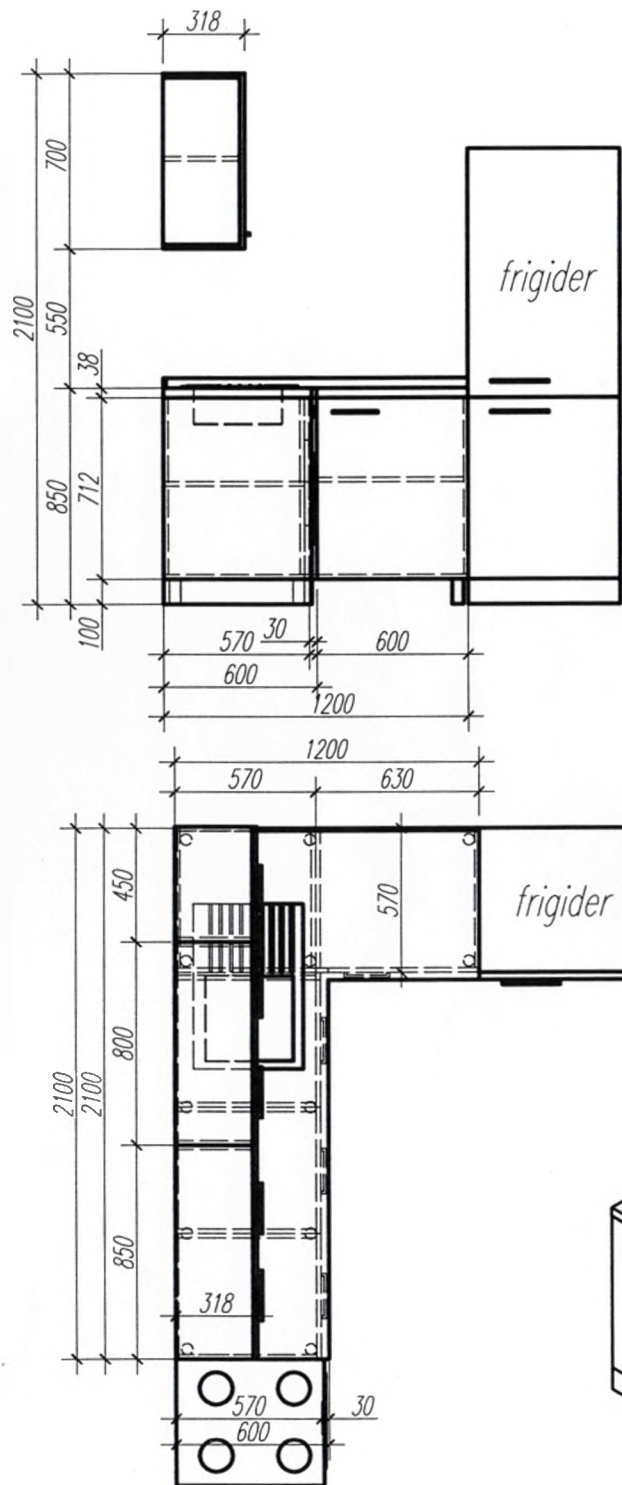
client: USMF cam.8  
Bucatarie et.1 (6,7m)



pe. 9.

1 bucata

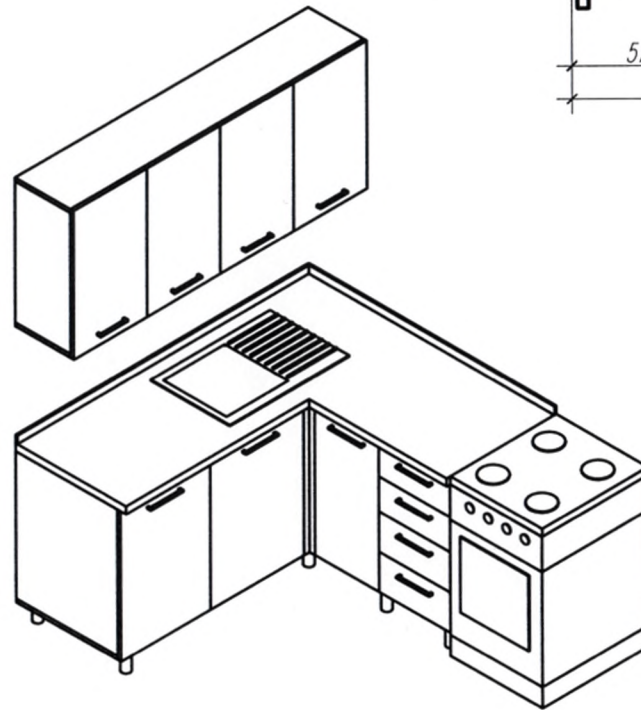
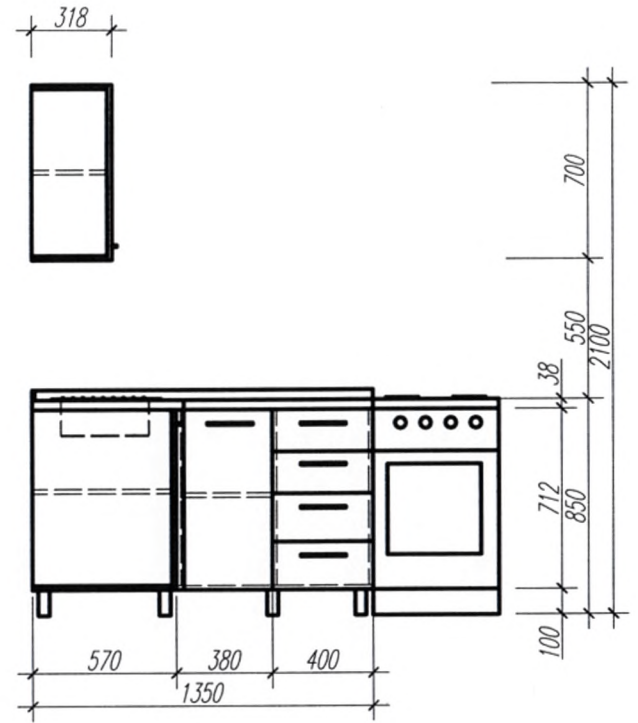
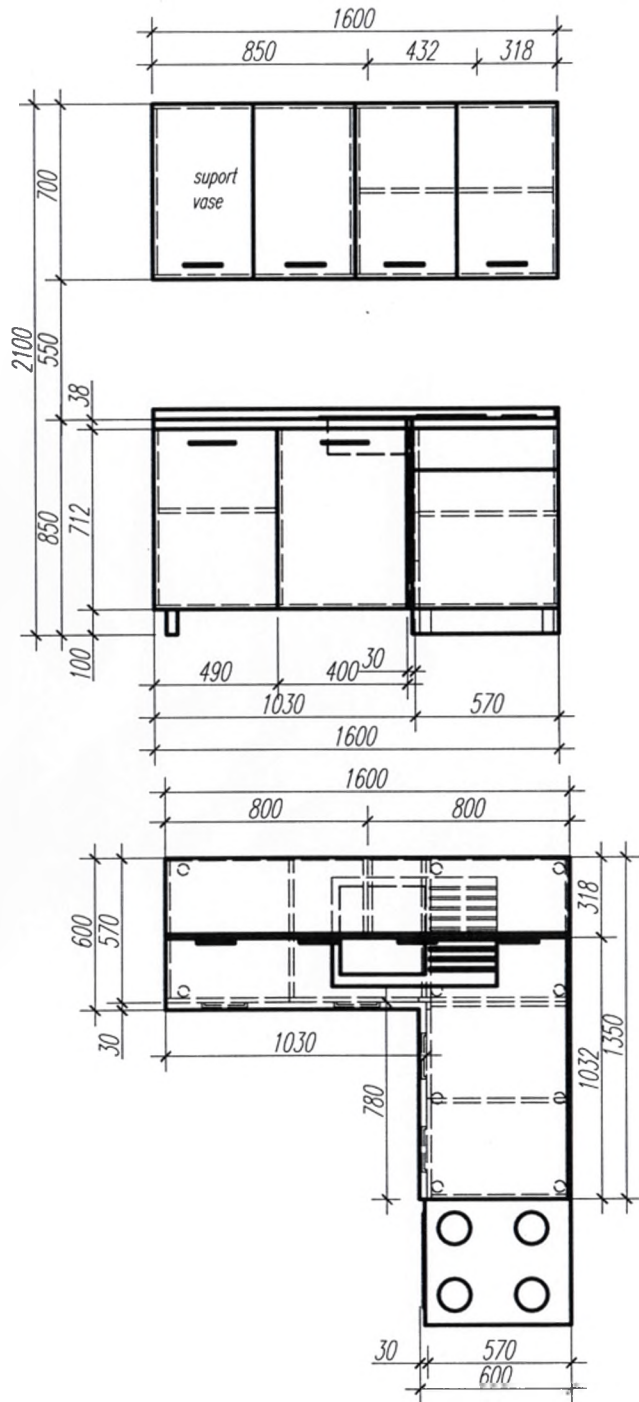
client: USMF cam.8  
Bucatarie et.1 (8,3)



1 bucata



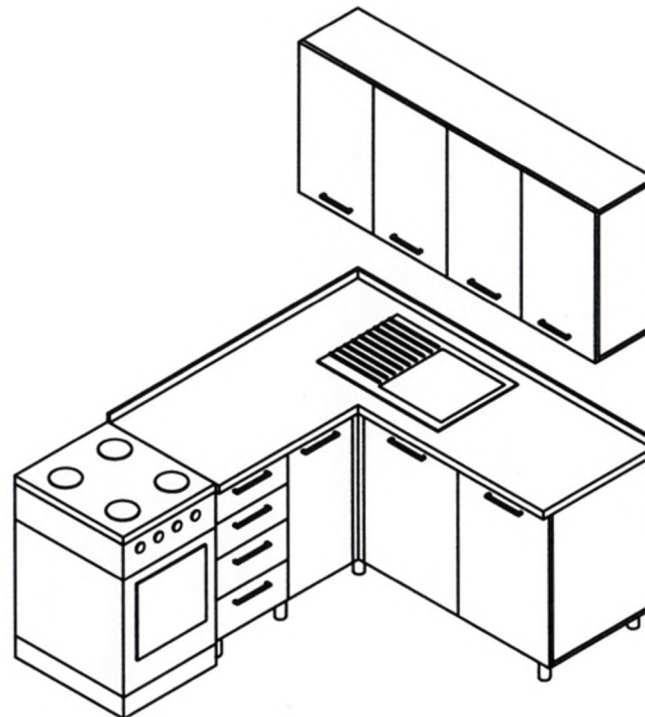
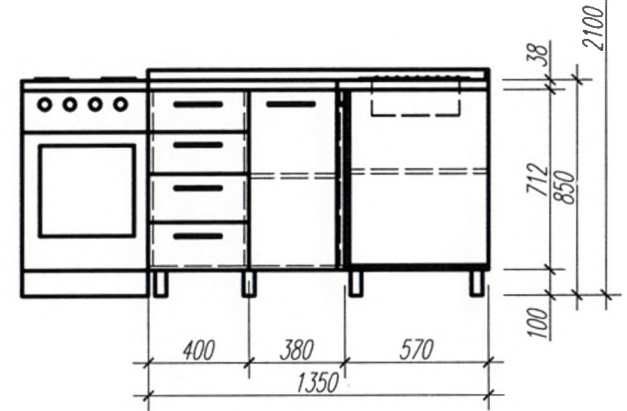
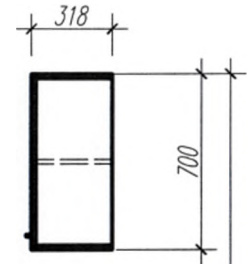
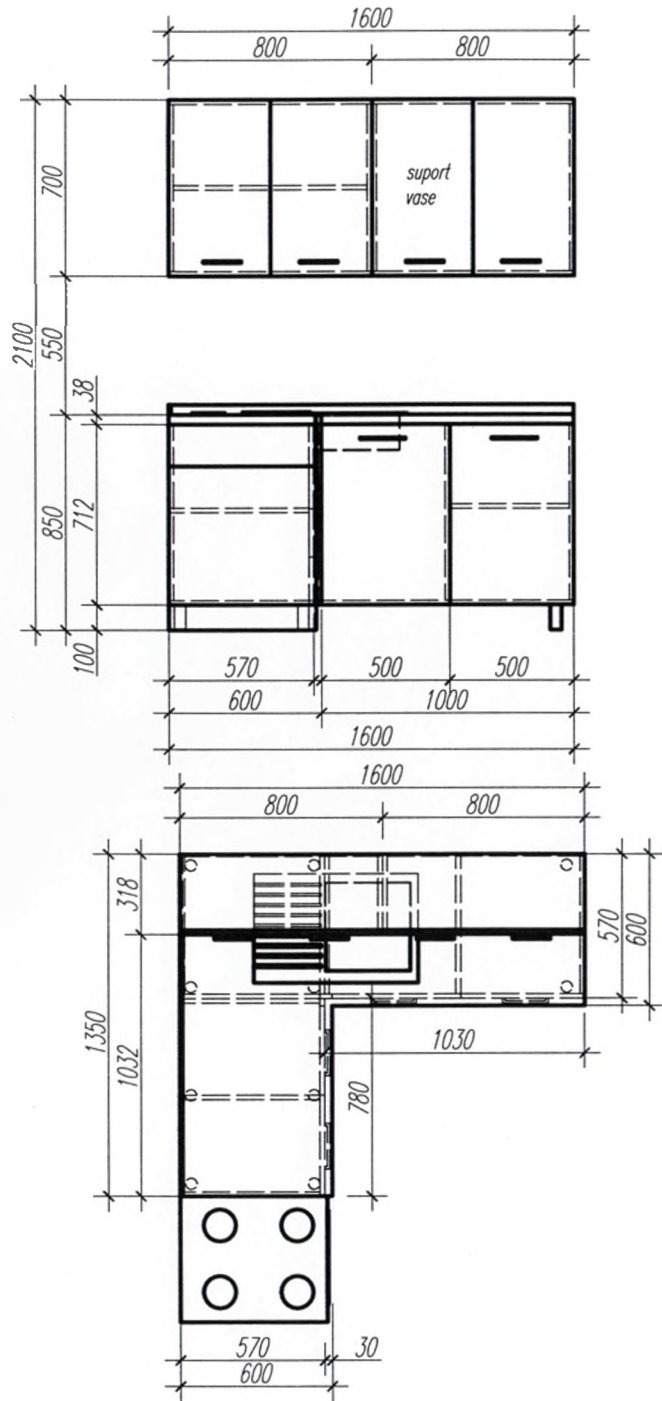
client: USMF cam.8  
 Bucatarie et.2-3-4-5 (9.0m<sup>2</sup>)



4 bucati

7

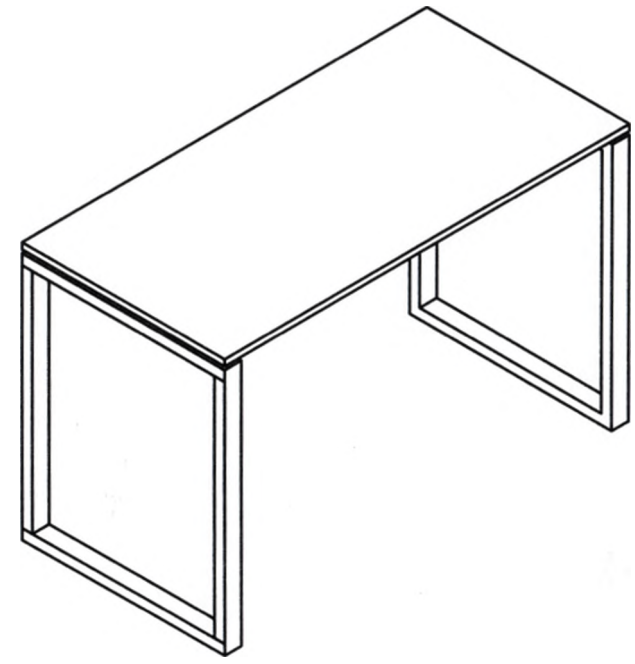
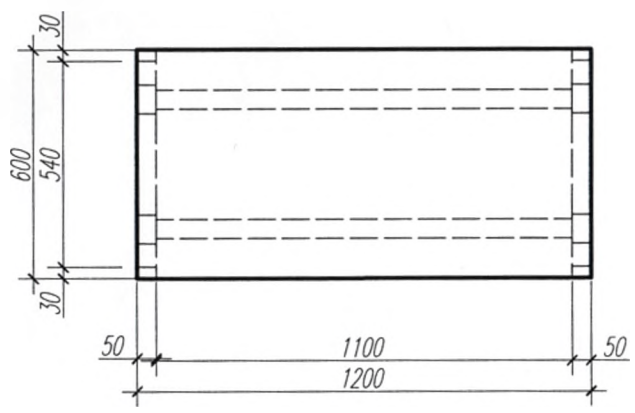
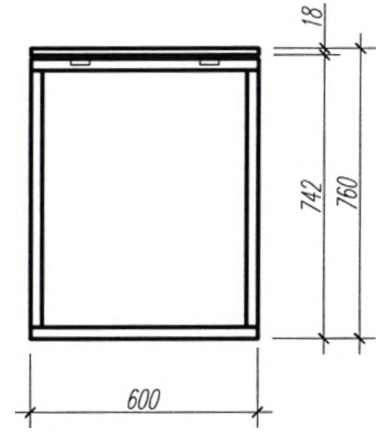
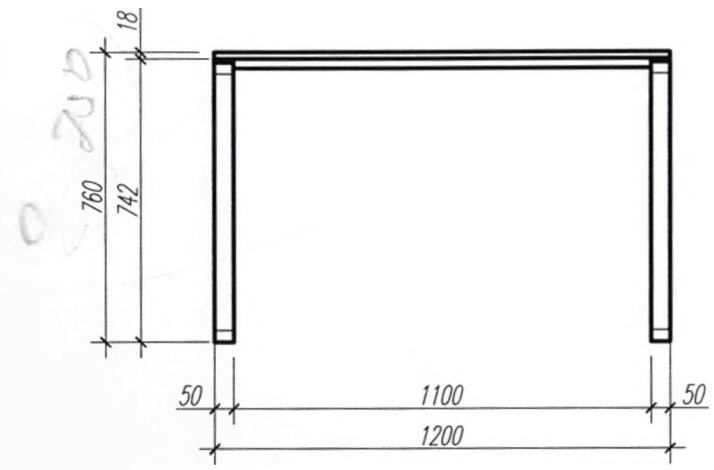
client: USMF cam.8  
 Bucatarie et.2-3-4-5 (9.0m<sup>2</sup>)



4 bucati

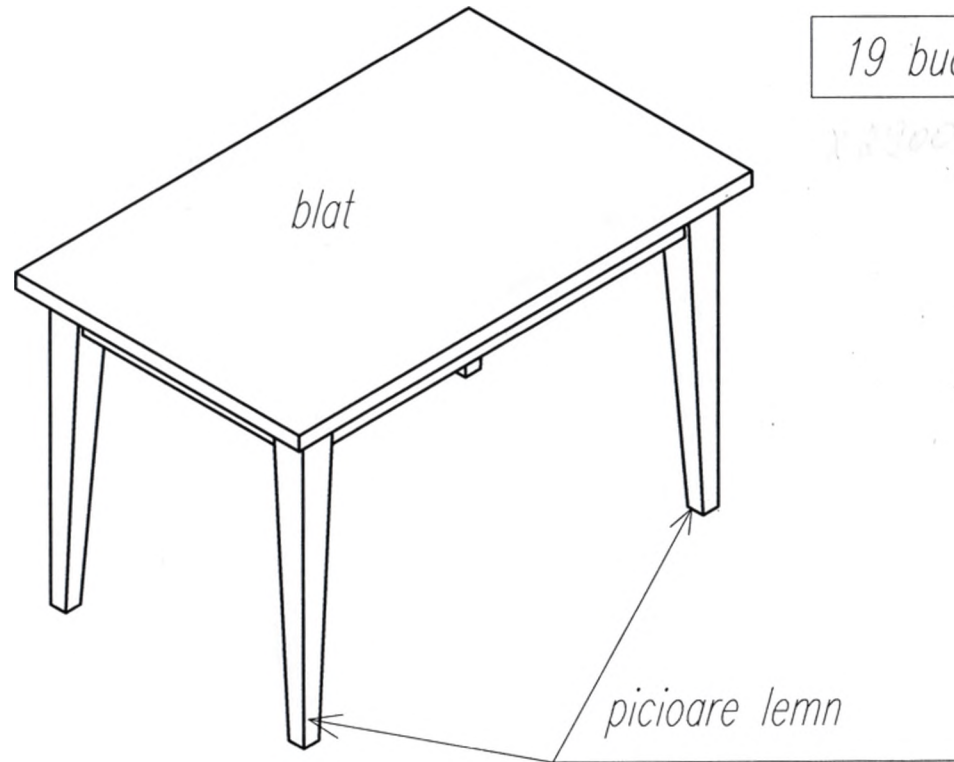
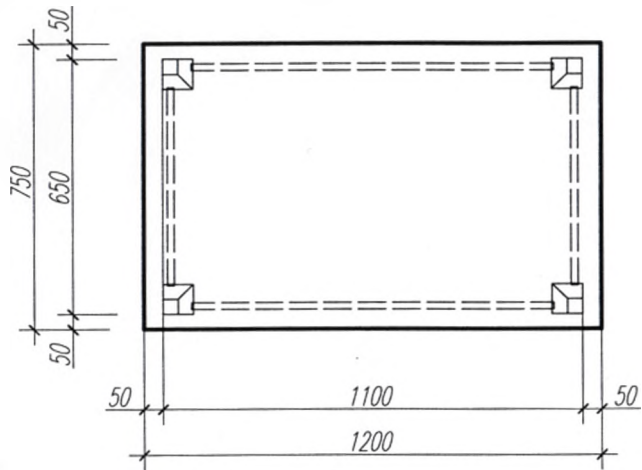
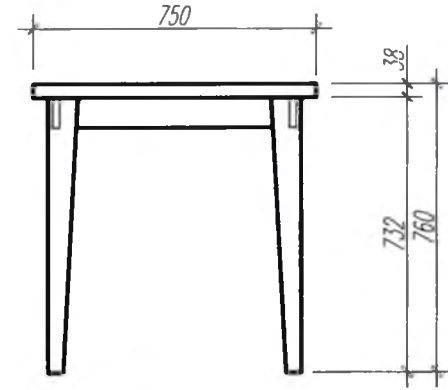
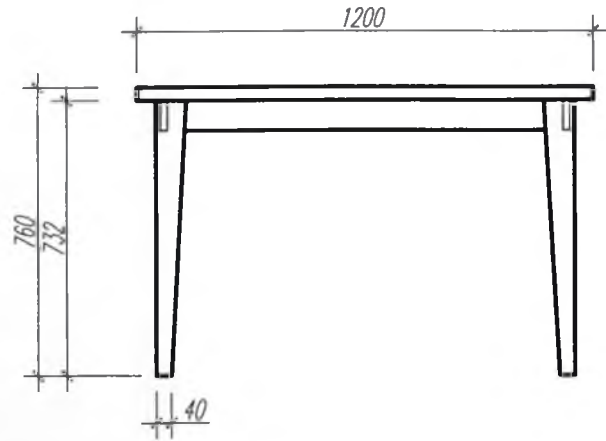


client: USMF  
Masa pentru studii in odai





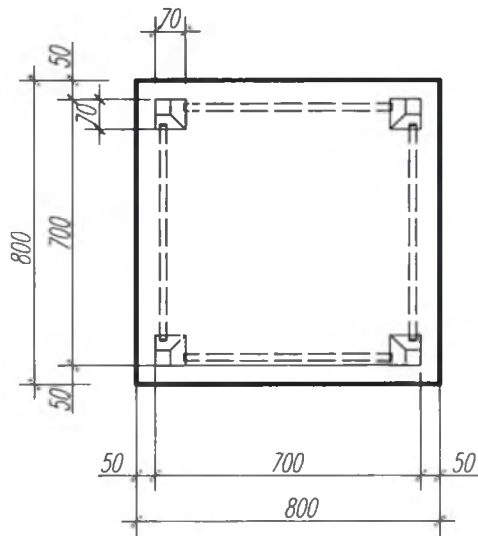
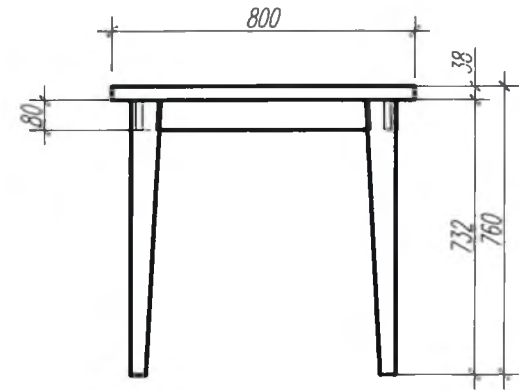
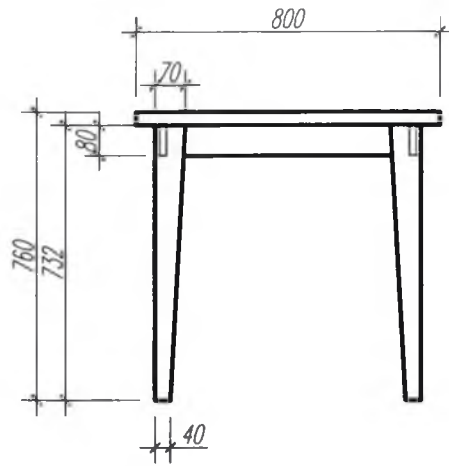
client: USMF  
MASA DE BUCATARIE



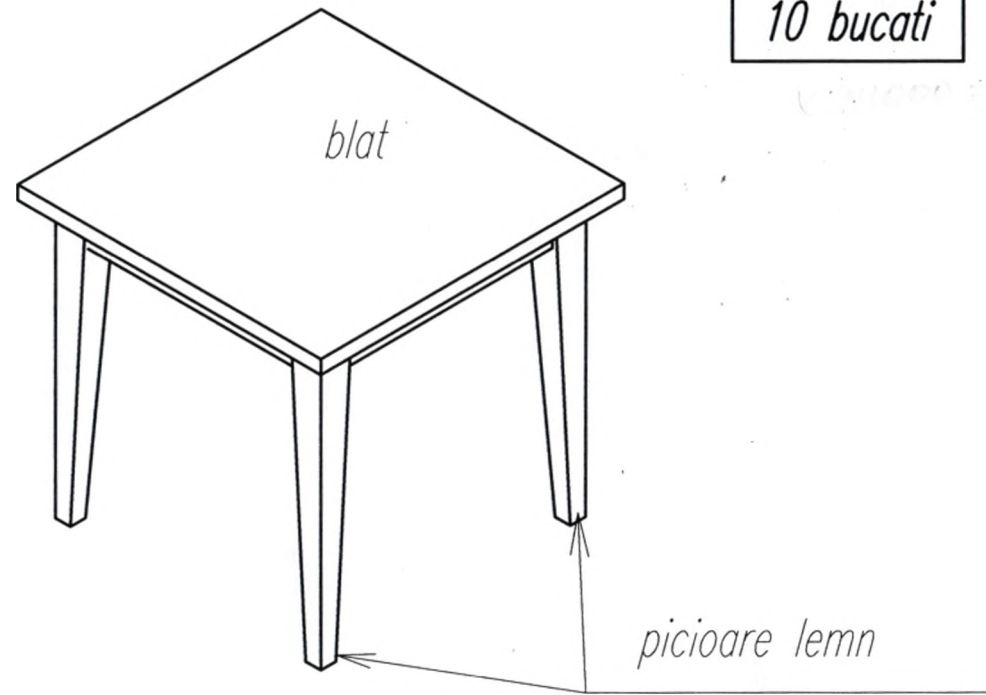
19 bucati

123002

client: USMF  
MASA DE BUCATARIE

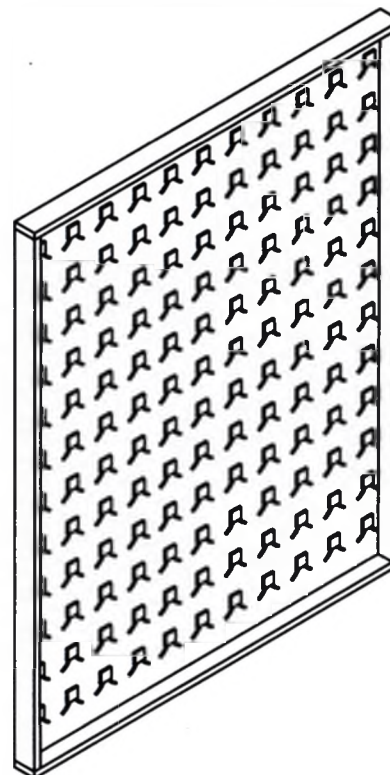
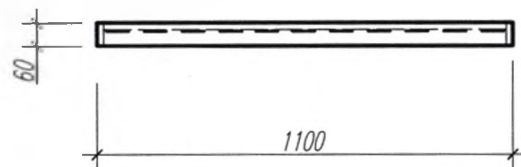
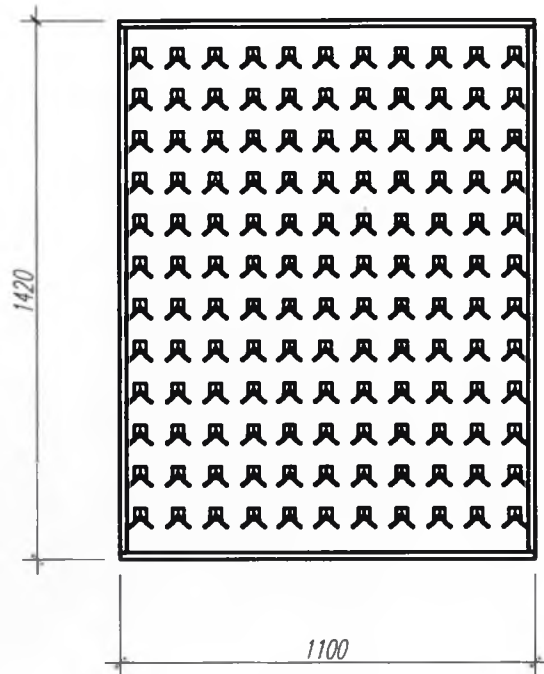


10 bucati



Client: USMF

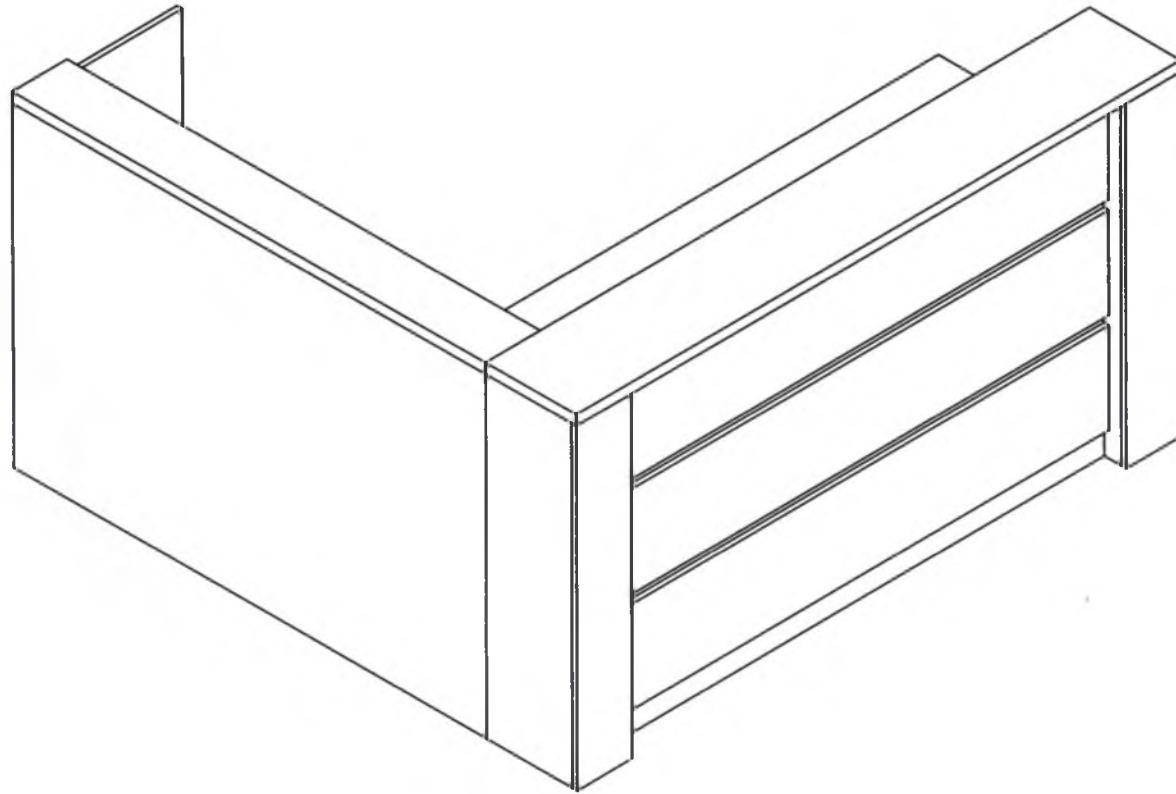
### DULAP PENTRU CHEI



1 buc.

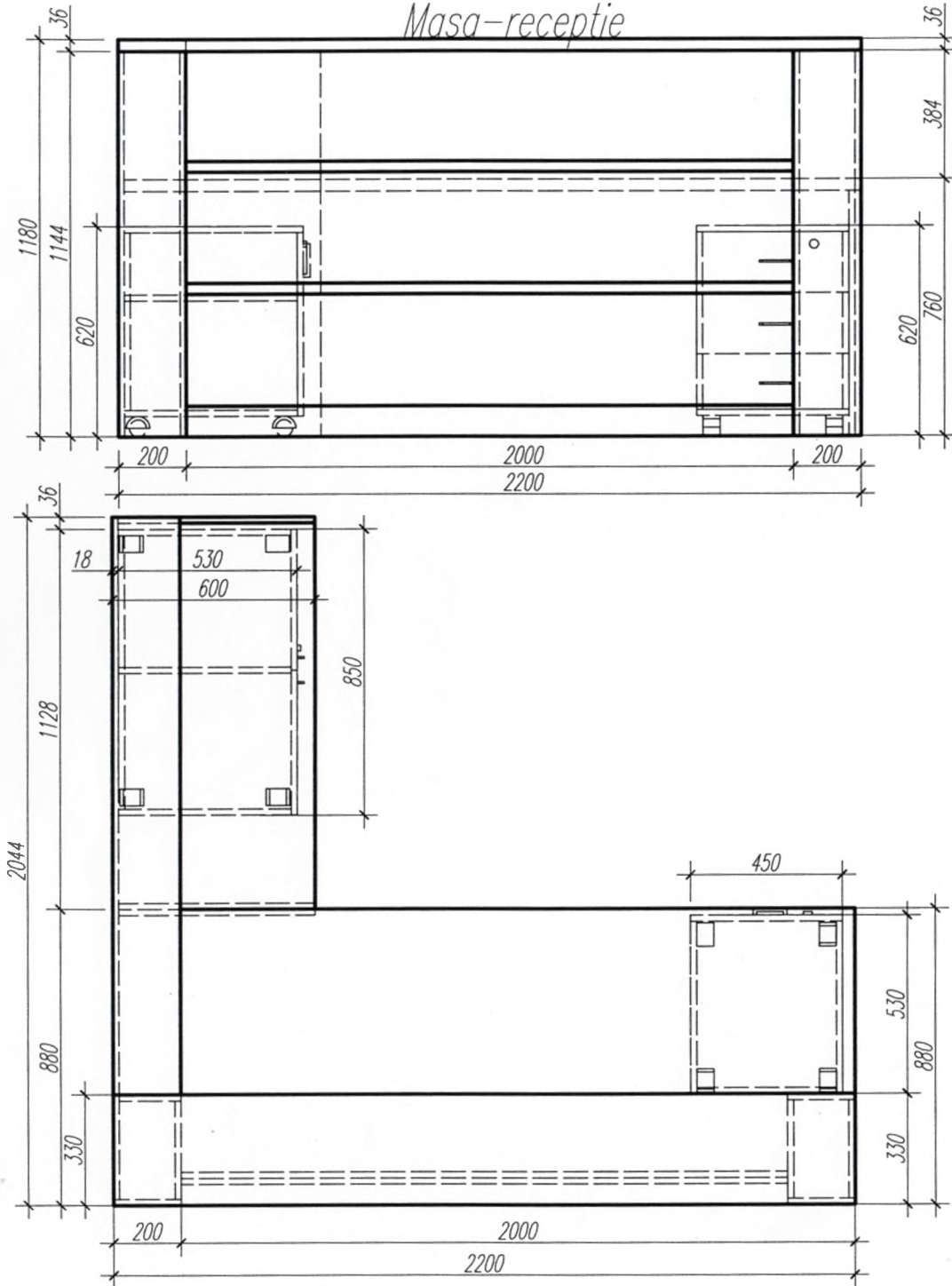


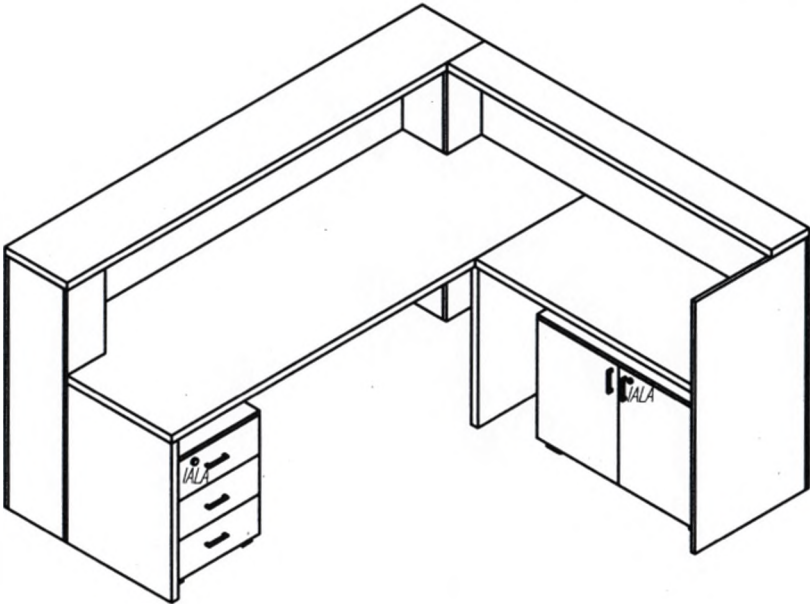
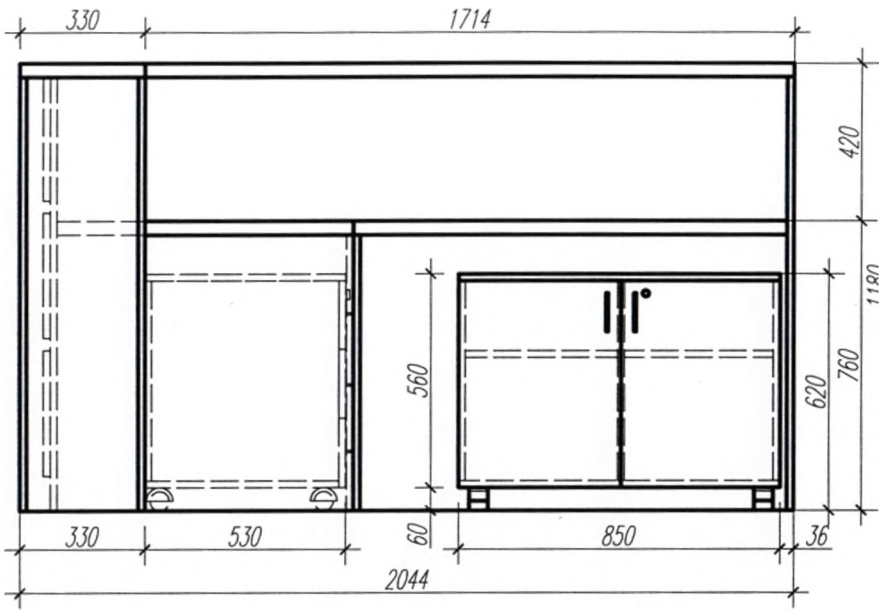
*Client: USMF*  
*Masa-receptie*



CHERIT. USMR

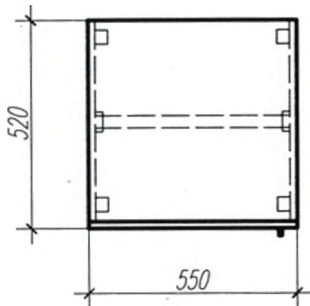
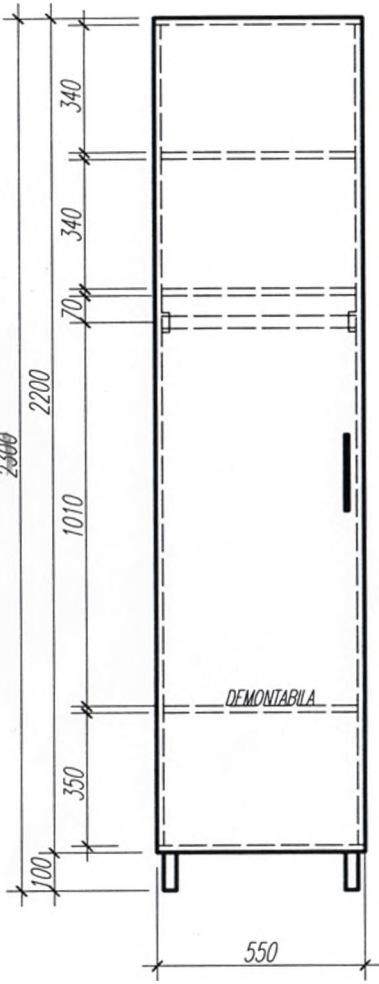
Masa-receptie





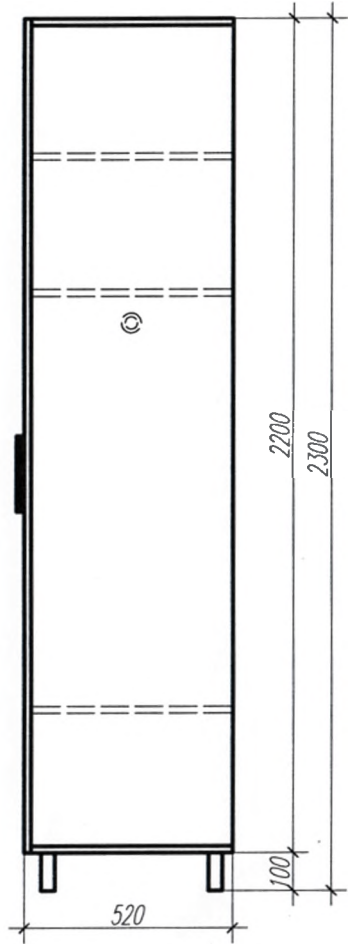
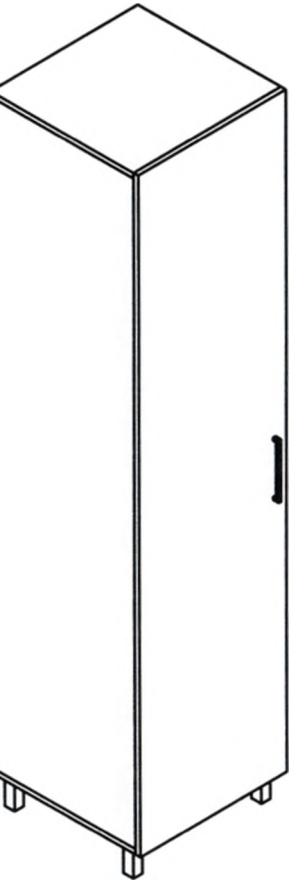


2100  
2300

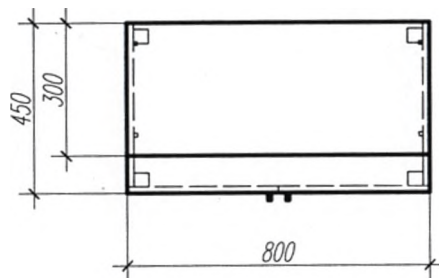
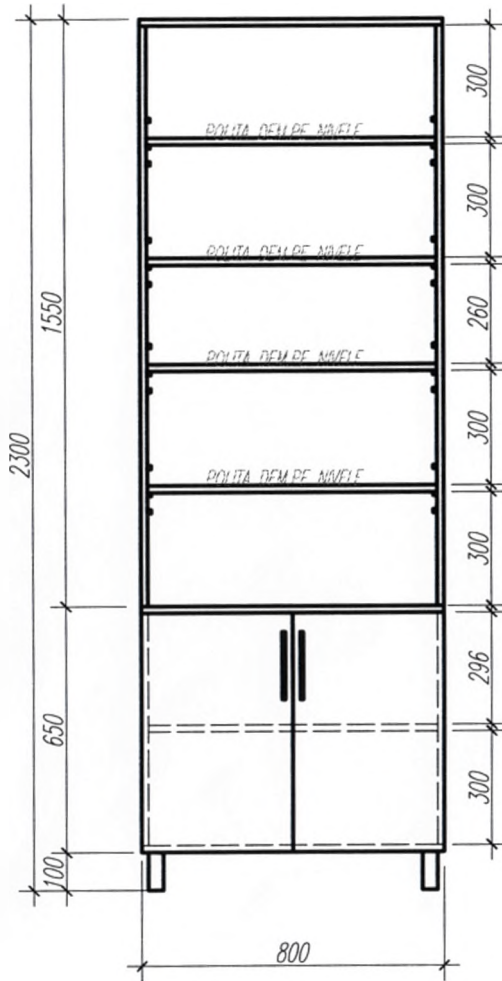


client: USMF

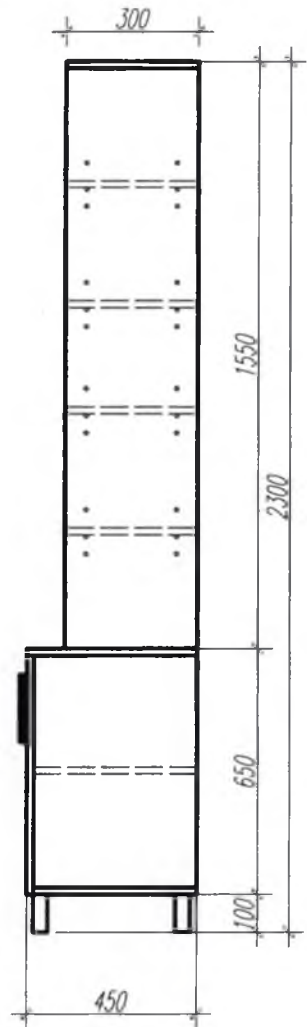
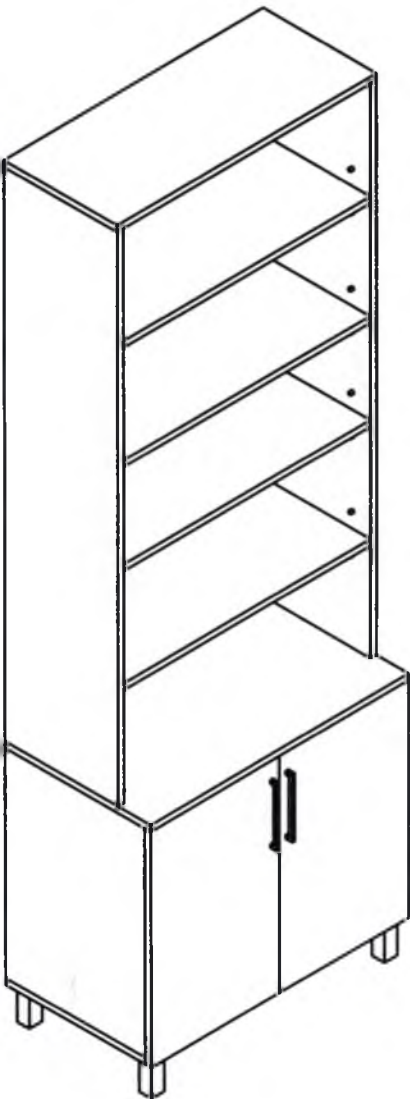
DULAP HAINA-1 persoana



2300 - 2200 = 100

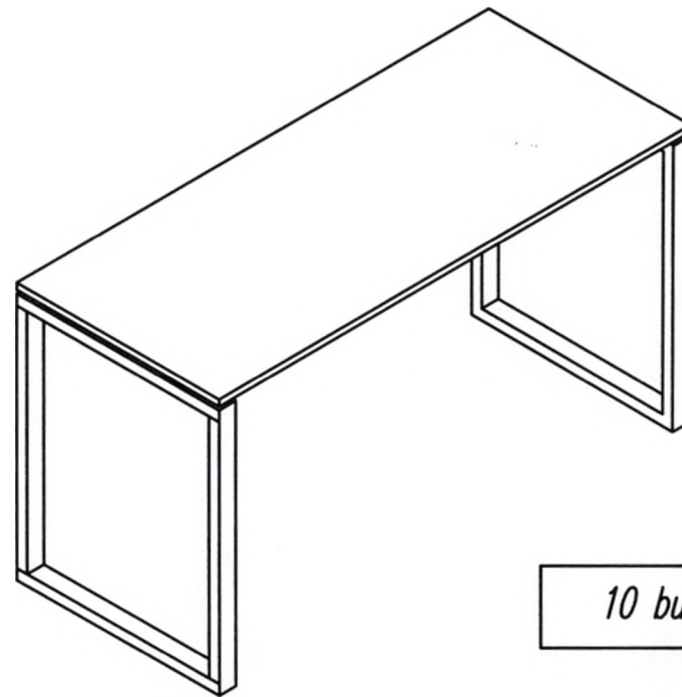
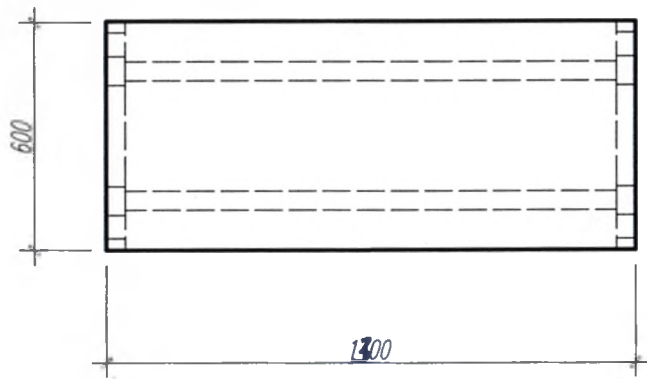
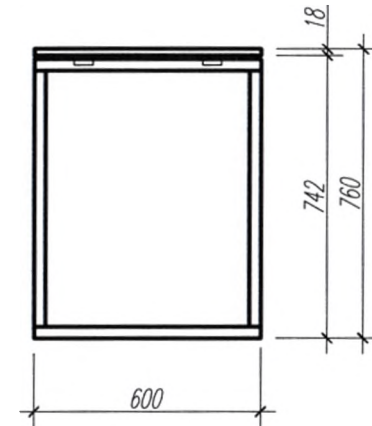
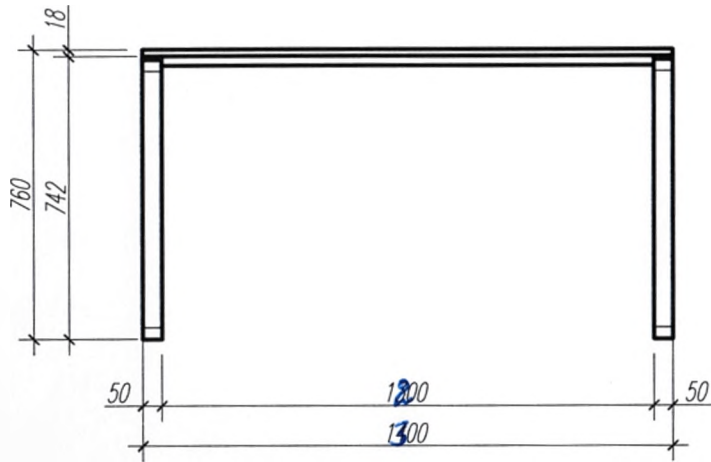


client: USMF  
Dulap carti

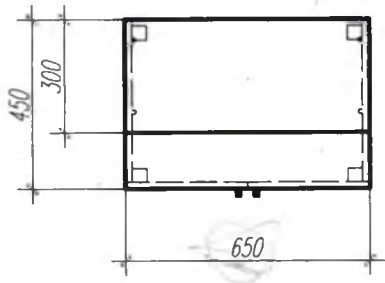
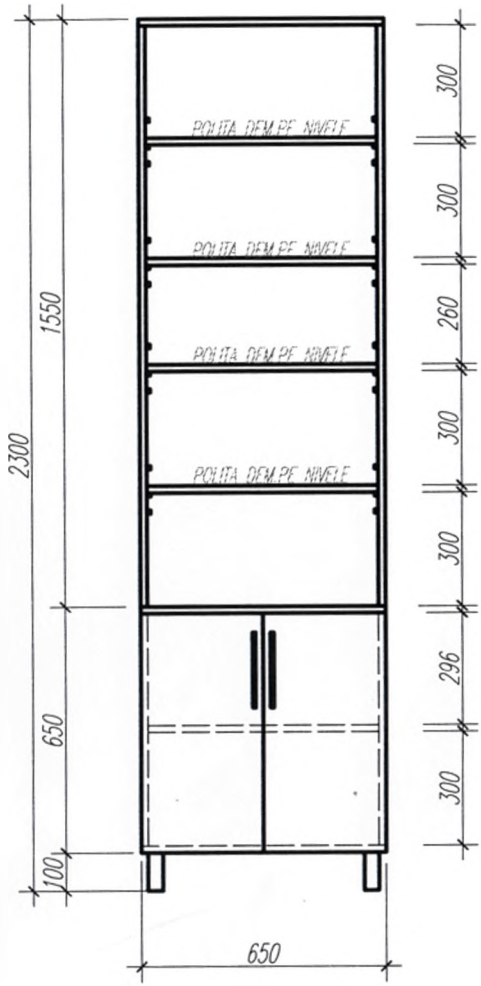




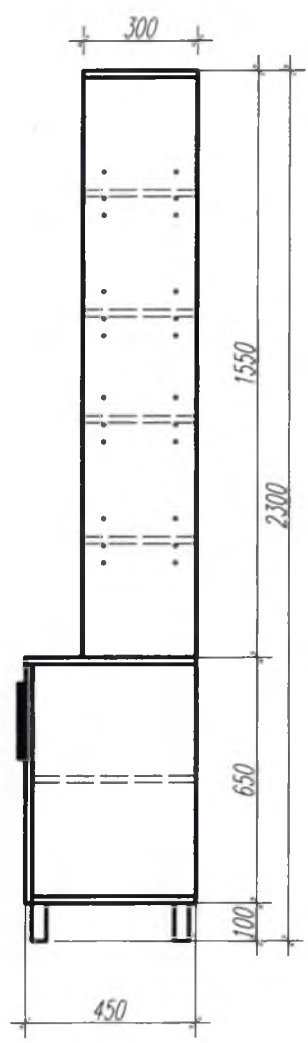
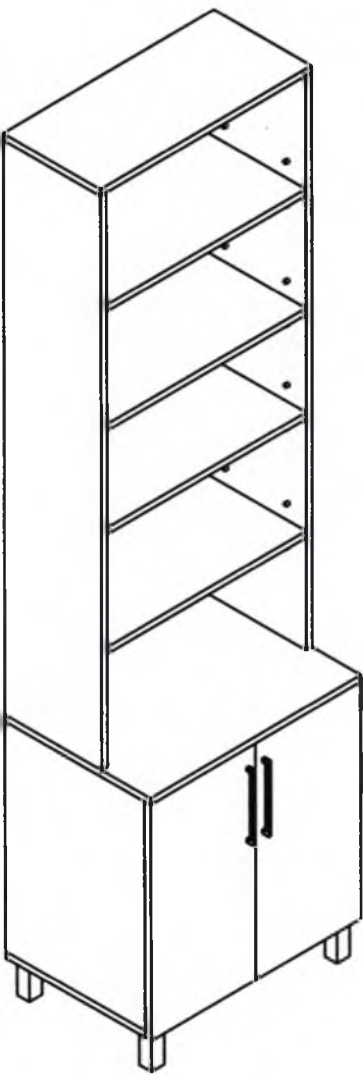
client: USMF  
Masa pentru studii



10 bucati



client: USMF  
Dulap carti-administrator



client: USMF  
PAT PENTRU O PERSOANA

