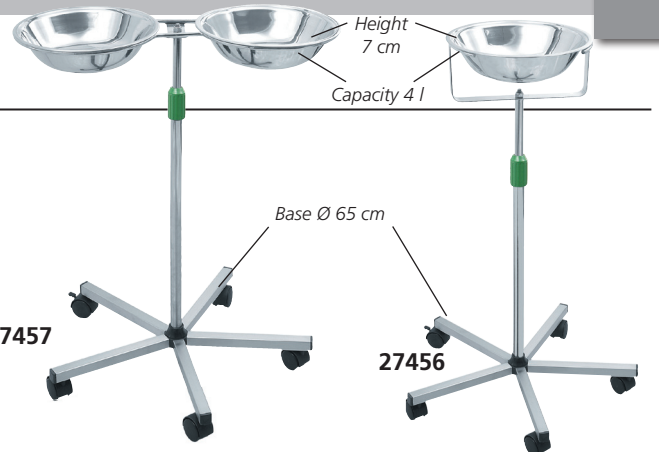


BOWL STANDS

- 27456 SINGLE BOWL STAND
- 27457 DOUBLE BOWL STAND

Chrome plated steel stand with stainless steel base and 5 plastic wheels, one with brake. Adjustable height from 60 to 95 cm. Stainless steel bowl Ø 32 cm, 4 l capacity included.

Available with one or two bowls. **Delivered in kit form.**

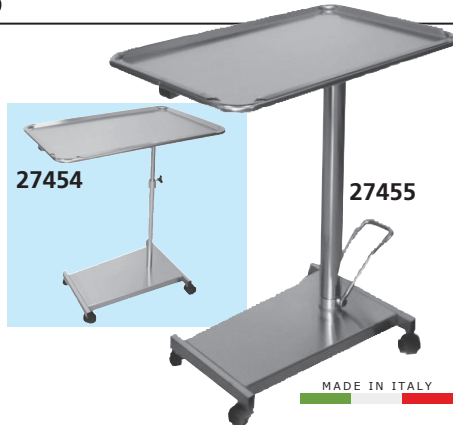


MAYO TABLES



Fixed tray with 360° rotation

27453



27454

27455

Tray internal size: 70x45xh 1.7 cm



45832



45830

• 27453 MAYO TABLE - 5 spokes
S/s tray, 5 spokes with castors, Ø 50 mm and adjustable height. Manual: GB, IT. **Delivered in kit form.**

• 27454 MAYO TABLE - s/s base
• 27455 MAYO TABLE - s/s base and pump
With removable s/s tray, s/s AISI 304 base with 4 castors (Ø 50 mm) and adjustable height. **Delivered in kit form.** Manual: GB, IT.

MADE IN ITALY

• 45830 MAYO TABLE - U-SHAPE
• 45832 MAYO TABLE - 5 spokes
Stainless steel base with castors Ø 50 mm: 5 spokes (45832) or U-shape (45830). Stainless steel frame and removable tray. Adjustable height. In conformity with MDR. **Delivered in kit form.**

TECHNICAL SPECIFICATIONS

	27453	27454	27455	45830-45832
S/S tray size:	68x44 cm	70x45 cm	70x45xh 1.8 cm	70x45xh 1.7 cm
Adjustable height:	70-110 cm	74-110 cm	85-120 cm	90-115 cm
Weight:	8 kg	12 kg	19 kg	10 kg
Load:	20 kg	40 kg	40 kg	10 kg

MAYO TABLES WITH PUMP



45834



45835

REMOVABLE ROTATING TRAY

MADE IN ITALY

• 45834 HYDRAULIC MAYO TABLE with pump
Serving trolley used as instrument holder in operating rooms. Not removable tray made of AISI 304 stainless steel. Equipped with hydraulic pump for height adjustment. Base made of aluminium with 5 spokes and swiveling castors Ø 50 mm. **Delivered in kit form.**

• 45835 HYDRAULIC MAYO TABLE with pump and removable tray
Height adjustable instruments trolley with removable tray in AISI 304 stainless steel, scotch brite finish. Tray can be rotated through 360° with tightening knob. Base in AISI 304 stainless steel tubular frame fixed to the hydraulic pump that allows height adjustment by foot pedal. Three castors Ø 75 mm, one antistatic and two with brake. **Delivered in kit form.**

TECHNICAL SPECIFICATIONS

	45834	45835
S/S tray size:	70x45xh 1.8 cm	
Adjustable height:	85 to 120 cm	90 to 126 cm
Load:	40 kg	20 kg
Weight:	14 kg	17 kg
Packing size:	60x17xh 77 cm	98x68xh 15 cm

REX TROLLEY



27439

MADE IN ITALY



• 27439 REX TROLLEY
Complete stainless steel dressing trolley. Supplied with 3 shelves, waste bin, drawer, support for bottles, guard rails on the two bottom shelves, 4 wheels, Ø 100 mm (2 with brakes). Load 50 kg. Size: 79x50xh 120 cm (handle included). Drawer size 64x43xh 9.5 cm. **Delivered in kit form (114x54x37 cm).**