

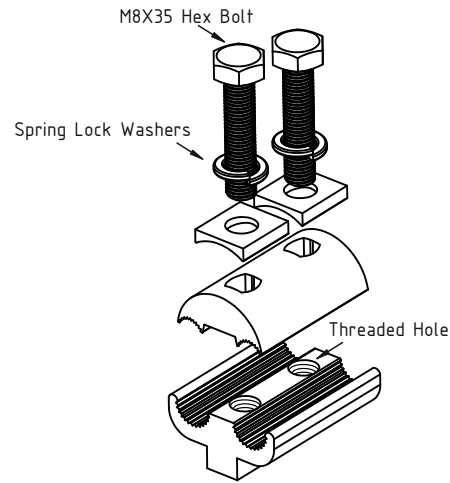
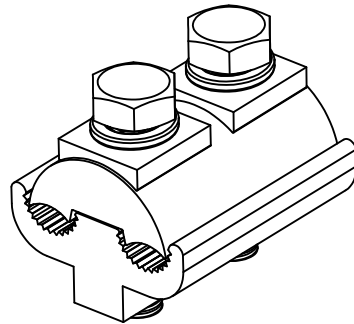


PRODUCT DRAWING

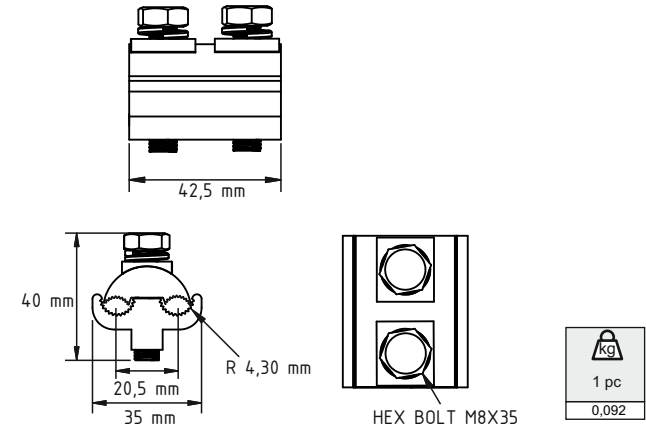
CODE

PA 1-1

Material:Aluminum



DIMENSIONS



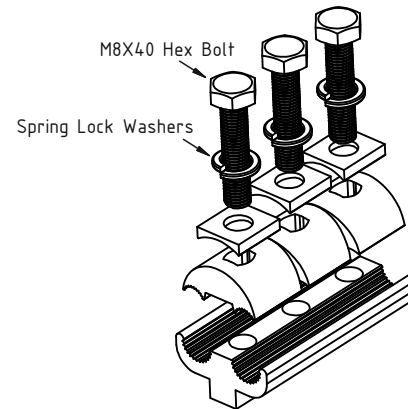
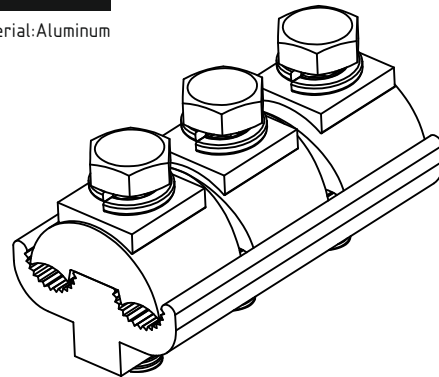
PRODUCT DRAWING

DATA

CODE

PA 2-2

Material:Aluminum



DIMENSIONS

