

iDS-TCV5(9)07-BIR C High Performance All-Rounder Traffic Camera



DeepinView

- 5 MP (2/3" GMOS), 2464 × 2056 @ 50 fps
- 9 MP (1" GMOS), 4096 × 2160 @ 25 fps
- Color: 0.001 Lux @ (F1.4, AGC ON)
- H.265, H.264, MJPEG
- 60 dB SNR
- 3D DNR
- Alarm I/O
- One RS-485 interface
- Two defined streams
- Built-in Micro SD/TF card, up to 128 GB
- License plate recognition
- Vehicle type recognition
- Vehicle color recognition
- Supports speed detection with built-in 24 GHz radar
- Support speed detection based on video frames
- Built-in IR light with 16 beads
- IP65
- Over 98% detection sensitivity
- Over 98% LPR accuracy
- Supports side mounting with convenient installation and debug

何如丽

杭州海康威视科技有限公司
HANGZHOU HIKVISION TECHNOLOGY CO.,LTD.



Superiority

- Dedicated camera for ANPR
 - HD resolution
 - Integrated IR
 - Professional shutter speed control
- Built-in ANPR engine, equipped with deep-learning algorithm
- Built-in radar, supporting speed detection
- Multiple detection and recognition
 - Vehicle type recognition
 - Vehicle color recognition
 - Vehicle manufacturer recognition
 - Radar speed detection
 - Driving on lane line detection
 - Illegal lane change detection
 - Wrong-way driving detection
 - Seatbelt status detection
 - Phone call detection

Application

- Vehicle control
- Traffic monitoring
- Toll collection
- Security
- Speed detection

Scenarios

- Highway
- Tunnel
- Toll station
- Urban road



Specification

Camera	iDS-TCV507-BIR C	iDS-TCV907-BIR C
Image Sensor	5 MP (2/3" GMOS)	9 MP (1" GMOS)
Min. Illumination	Color: 0.001 Lux @ (F1.4, AGC ON), 0.0005 Lux with IR	
Shutter Speed	50 to 20,000 μ s	
Day & Night	IR cut filter	
Digital Noise Reduction	2D/3D DNR	
SNR	60 dB	
Lens		
Focal Length	15 to 50 mm	11 to 40 mm
Aperture	F1.4-C	F1.6-25
Focus	Manual	
FOV	CS-Mount Horizontal: 42.7° to 13.7° Vertical: 23.4° to 7.6°	CS-Mount Horizontal: 62° to 23.6° Vertical: 32.2° to 12.2°
IR Light		
Light Beads	16	
IR Range	Up to 40 m	Up to 40 m
Wavelength	850 nm	
Radar		
DS-TD10M - 1		
Central Frequency	24.05 to 24.25 GHz	
Antenna Beam Width	35° × 16°	
Measurement Accuracy	± 1 km/h till 100km/h; ±1% km/h between 100-250km/h	
Trigger Consistency	≤ ± 1 m	
Velocity Range	10 to 250 km/h	
Double Trigger	Approaching direction, leaving direction, and both	
Multiple Lanes	Up to 2 lanes	Up to 4 lanes
Tracking Target	Up to 32	
Compression Standard		
Video Compression	Main stream: H.265/H.264/MJPEG Sub-stream: H.265/H.264/MJPEG	
H.264 Type	Baseline profile/Main profile/High profile	
H.265 Type	Baseline profile/Main profile/High profile	
Video Bit Rate	32 Kbps to 16 Mbps	
Smart Feature		
Recognition	License plate recognition	
Coverage	Up to 2 lanes	Up to 4 lanes
Trigger Mode	External I/O trigger/Radar trigger/Video trigger	
Supplement Light Type	External strobe/flash/continuous light	
Smart Function	Vehicle type classification, color identification, no-plate vehicle capture, vehicle driving direction detection	
Road Traffic and Vehicle Detection		

Country/Region	<p>Middle East: The United Arab Emirates (Abu Dhabi, Ajman, Dubai, Fujairah, Ras Al Khaimah, Sharjah and Umm Al Quwain), Qatar, Iran, Iraq, Egypt, Jordan, Kuwait, Saudi Arabia, Pakistan, Oman, Lebanon, Bahrain</p> <p>Africa: Nigeria, Kenya, Ivory Coast, South Africa, Tanzania, Mauritius, Morocco, Tunisia, Sierra Leone, Zambia, Ghana, Zimbabwe, Uganda, Angola, Ethiopia, Senegal, Algeria</p> <p>Asia-Pacific: Australia, New Zealand, Indonesia, Malaysia, Singapore, South Korea, Thailand, Vietnam, the Philippines, Hong Kong, Macao, Taiwan, Burma, India, Mongolia, Cambodia, Laos, Bangladesh</p> <p>America: The United States of America, Canada, Argentina, Chile, Paraguay, Uruguay, El Salvador, Bolivia, Colombia, Brazil, Ecuador, Peru, Mexico, Panama, Costa Rica, Trinidad and Tobago, the Dominican Republic, Guatemala</p> <p>Europe: Turkey, Croatia, Slovakia, Czech Republic, Bulgaria, the Republic of North Macedonia, Hungary, Greece, Poland, France, Netherlands, Switzerland, Spain, the UK, Ireland, Germany, Italy, Austria, Israel, Palestinian State, Belgium, Luxembourg, Albania, Kosovo</p> <p>Russian-Speaking Regions: Azerbaijan, Belarus, Kazakhstan, Lithuania, Georgia, Estonia, Latvia, Russia, Ukraine, Moldova, Uzbekistan, Kyrgyzstan, Armenia</p>
Accuracy (Under recommended installation and lighting conditions)	<p>Capture rate > 98%</p> <p>Vehicle moving direction recognition accuracy > 98%</p> <p>LPR accuracy > 98%</p> <p>Mistaken capture rate < 2%</p> <p>European and Russian-Speaking Regions: LPR accuracy > 98%</p> <p>Country/Region recognition accuracy > 95%</p>
No License Plate Detection	Supported
Motorcycle LPR	Supported
Vehicle Type	Car/Van/Bus/Truck/Light Truck/SUV/MPV/Pickup/Pedestrian/Motorcycle/Tricycle
Vehicle Color	Red, yellow, green, blue, pink, purple, cyan, brown, white, grey, silvery, dark grey, black Recognizable at daytime only
Vehicle Manufacturer	84 manufacturers: Hyundai, Toyota, KIA, Honda, Volkswagen, Benz, Nissan, Ford, Isuzu, BMW, Chevrolet, Mitsubishi, Renault, Opel, Suzuki, Skoda, Daewoo, Audi, Mazda, GAC HINO, Peugeot, SsangYong, Citroen, Fiat, Scania, MAN, Volvo, Lexus, Seat, Land Rover, Daihatsu, Dongwo, Subaru, Iveco, MINI, JEEP, Porsche, Chery, Dodge, Chrysler, Acura, Alfa Romeo, Great Wall, Infiniti, Smart, Saic Maxus, JAC, Jaguar, GMC, Lincoln, JMC, SAAB, FAW, Yutong, Guangzhou Yunbao, Joylong, Geely, Cadillac, JBC, An'kai, Haima, Foton, King Long, Dongfeng, Geely-Emgrand, Perodua, UD, BYD, Renault Samsung, Proton, HICOM, Malaysia_Unknown 1, Hyundai-Rohens, SsangYong-Old Version, Equus-Old Version, CNHTC, Rolls-Royce, Beiben Truck, Haval, Hino, Kia-Borrego, Chang'an, Alfa, FORO
License Plate Color Recognition	Customized to support
Driving on Lane Line Detection	Supported (Only for strobe light mode)
Illegal Lane Change Detection	Supported (Only for strobe light mode)
Wrong-Way Driving Detection	Supported
Emergency Lane Occupation	Supported (truck forbidden lane, emergency lane, urban bus lane)
Seatbelt Detection	Supported (with flash supplement light SL-1211-1I)

Phone Call Detection	Supported (with flash supplement light SL-1211-1I)	
Capture Speed Range	10 to 250 km/h	
Image		
Max. Resolution	2464 × 2056	4096 × 2160
Main Stream	50 Hz: 50 fps (2448 × 2048, 2464 × 2056, 2048 × 1536, 1920 × 1080) 60 Hz: 30 fps(2448 × 2048, 2464 × 2056, 2048 × 1536, 1920 × 1080)	50 Hz: 25 fps (4096 × 2160, 1920 × 1080, 1280 × 720) 60 Hz: 30 fps (4096 × 2160, 1920 × 1080, 1280 × 720)
Sub-Stream	1920 × 1080, 1280 × 720, 704 × 576, 352 × 288	1920 × 1080, 704 × 576
Image Enhancement	BLC, HLC, 3D DNR	
Image Settings	Rotate mode, saturation, brightness, contrast, sharpness, AGC, and white balance are adjustable by client software or web browser.	Saturation, brightness, contrast, sharpness, AGC, and white balance are adjustable by client software or web browser.
SVC	H.264 and H.265 encoding	
Day/Night Switch	Auto/Scheduled/Triggered by alarm in	
Picture Overlay	Logo picture can be overlaid on video with 128 × 128 24-bit bmp format.	
Network		
Network Storage	Micro SD/TF card (128 GB), local storage and CVR, NVR, ANR	
Alarm Trigger	HDD error, network disconnected, IP address conflicted, vehicle detector exception, traffic light detector exception	
Protocols	TCP/IP, HTTP, HTTPS, FTP, DNS, RTP, RTSP, RTCP, NTP, IPv6, UDP	
Security Measures	Password protection, HTTPS encryption, digest authentication for HTTP/HTTPS	
General Function	One-key reset, three streams, heartbeat, password protection, watermark	
API	ISAPI, SDK	
Simultaneous Live View	Up to 6 channels	
User/Host	Up to 32 users 3 user levels: administrator, operator, and user	
Client	iVMS-4200 (Only for live view and LPR information search), Hik-Central Master, Hik-Central Pro	
Web Browser	IE8 to IE11, plug-in free live view supported	
Interface		
Communication Interface	1 RJ45 10M/100M/1000M self-adaptive Ethernet interface 1 RS-485 interface	
Alarm	6 output interfaces	
On-Board storage	Built-in micro SD/TF card, up to 128 GB	
GPS	Optional	
Temperature Sensor	Optional	
General		
Firmware Version	V4.3.2	
Operating System	Linux	
Working Temperature	-30 °C to 70 °C (-22 °F to 158 °F)	
Working Humidity	95% or less (non-condensing)	
Power Supply	100 to 240 VAC (with power adapter, by default) 36 VDC ± 20% (without power adapter)	
Protection Level	IP65	
Heater	Supported	
Material	Aluminum alloy	

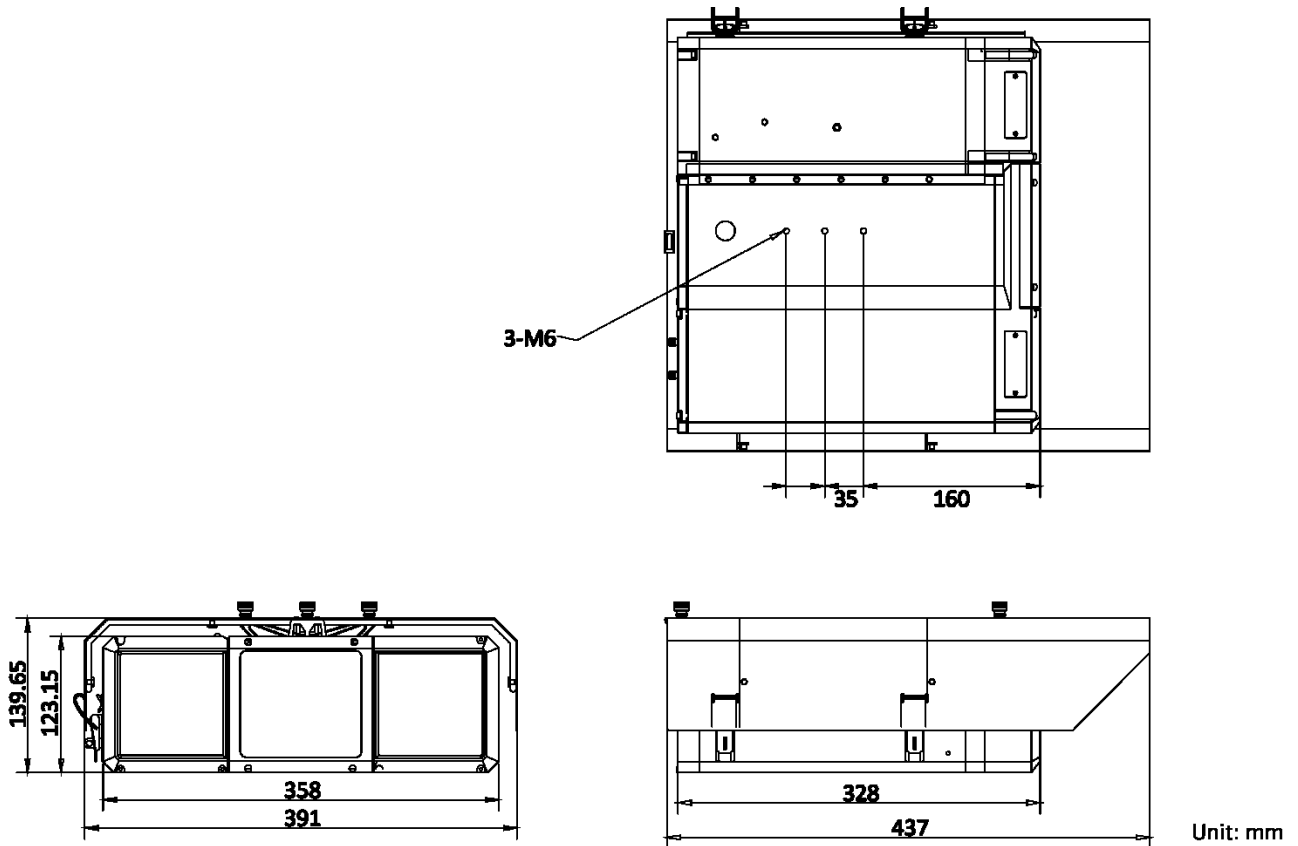
Dimension	With package: 375 × 372 × 141 mm (14.8 × 14.6 × 5.6 inch)
Weight	Approx. 7.2 kg (15.9 lb.)
Power Consumption	< 70 W

Listed resolutions are only selectable options. It does not mean that all streams can work at their maximum resolution at the same time.

何如丽

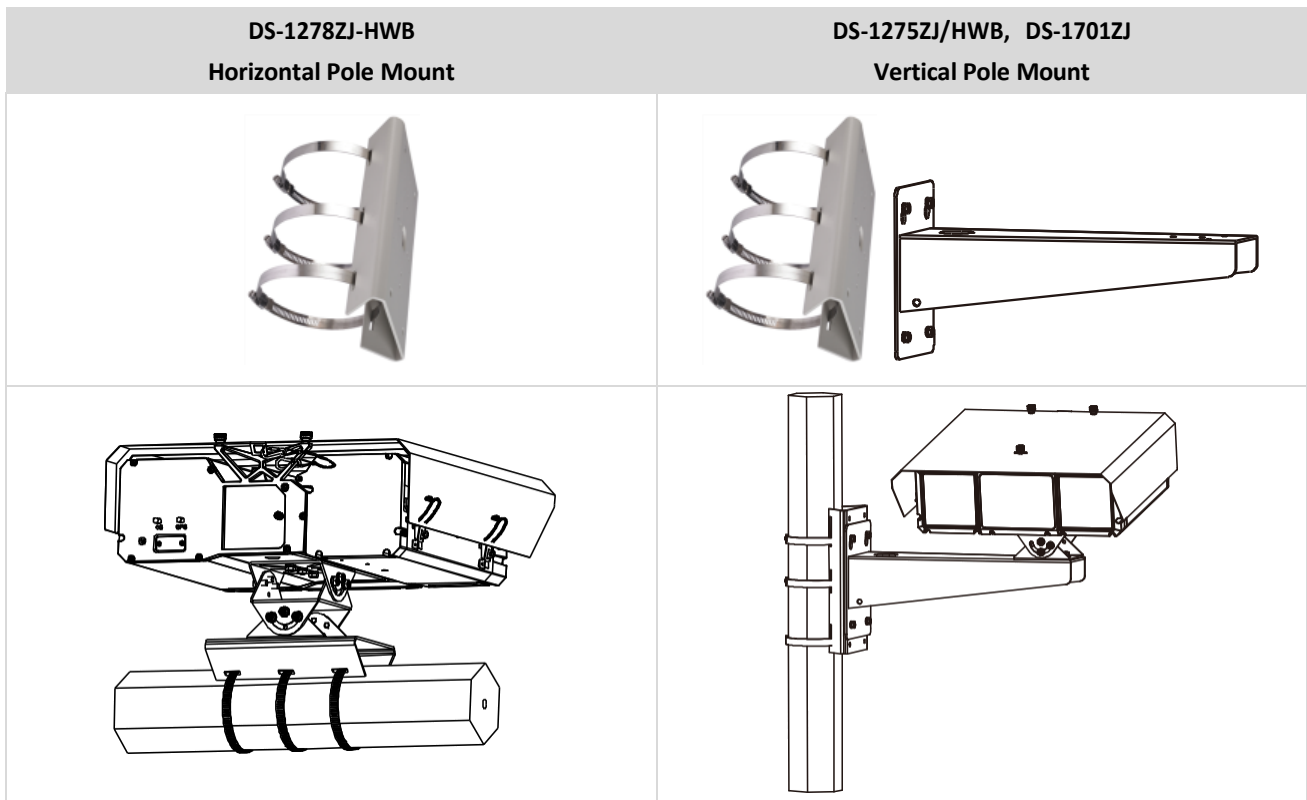
杭州海康威视科技有限公司
HANGZHOU HIKVISION TECHNOLOGY CO.,LTD.

Dimension



何如丽

Accessory



Distributed by



何如丽

HIKVISION®

Headquarters

No.555 Qianmo Road, Binjiang District,
Hangzhou 310051, China
T +86-571-8807-5998
overseasbusiness@hikvision.com

杭州海康威视科技有限公司
HANGZHOU HIKVISION TECHNOLOGY CO.,LTD.

Hikvision USA
T +1-909-895-0400
sales.usa@hikvision.com

Hikvision Australia
T +61-2-8599-4233
salesau@hikvision.com

Hikvision India
T +91-22-28469900
sales@pramahikvision.com

Hikvision Canada
T +1-866-200-6690
sales.canada@hikvision.com

Hikvision Thailand
T +662-275-9949
sales.thailand@hikvision.com

Hikvision Europe
T +31-23-5542770
sales.eu@hikvision.com

Hikvision Italy
T +39-0438-6902
info.it@hikvision.com

Hikvision Brazil
T +55 11 3318-0050
Latam.support@hikvision.com

Hikvision Turkey
T +90 [216]521 7070- 7074
sales.tr@hikvision.com

Hikvision Malaysia
T +601-7652-2413
sales.my@hikvision.com

Hikvision UK & Ireland
T +01628-902140
sales.uk@hikvision.com

Hikvision South Africa
Tel: +27 [10] 0351172
sale.africa@hikvision.com

Hikvision France
T +33[0]1-85-330-450
info.fr@hikvision.com

Hikvision Kazakhstan
T +7-727-9730667
nikia.panfilov@hikvision.ru

Hikvision Vietnam
T +84-974270888
sales.vt@hikvision.com

Hikvision UAE
T +971-4-4432090
salesme@hikvision.com

Hikvision Singapore
T +65-6684-4718
sg@hikvision.com

Hikvision Spain
T +34-91-737-16-55
info.es@hikvision.com

Hikvision Tashkent
T +99-87-1238-9438
uzb@hikvision.ru

Hikvision Hong Kong
T +852-2151-1761
info.hk@hikvision.com

Hikvision Russia
T +7-495-669-67-99
saleru@hikvision.com

Hikvision Korea
T +82-[0]31-731-8817
sales.korea@hikvision.com

Hikvision Poland
T +48-22-460-01-50
info.pl@hikvision.com

Hikvision Indonesia
T +62-21-2933759
Sales.Indonesia@hikvision.com

Hikvision Colombia
sales.colombia@hikvision.com