



# Product Safety Guide

(HL-1110(E) / HL-1112(E) / DCP-1510(E) / DCP-1512(E) / MFC-1810(E) / MFC-1815)

Brother Industries, Ltd.

15-1, Naeshiro-cho, Mizuho-ku, Nagoya 467-8561, Japan

Please read this guide before attempting to operate the product, or before attempting any maintenance. Failure to follow these instructions may result in an increased risk of fire, electrical shock, burns or suffocation. Brother shall not be liable for damage caused where the product owner has failed to follow the instructions set out in this guide.

Read all of the instructions. Save them for later reference.

## Symbols and conventions used in the documentation

The following symbols and conventions are used throughout the documentation.

### WARNING

WARNING indicates a potentially hazardous situation which, if not avoided, could result in death or serious injuries.

### CAUTION

CAUTION indicates a potentially hazardous situation which, if not avoided, may result in minor or moderate injuries.

### IMPORTANT

IMPORTANT indicates a potentially hazardous situation which, if not avoided, may result in damage to property or loss of product functionality.

### NOTE

Notes tell you how you should respond to a situation that may arise or give tips about how the operation works with other features.



Prohibition icons indicate actions that must not be performed.



Electrical Hazard icons alert you to possible electrical shocks.



Fire Hazard icons alert you to the possibility of a fire.



Hot Surface icons warn you not to touch product parts that are hot.

### **Bold**

Bold typeface identifies specific buttons on the product's control panel or on the computer screen.

### *Italics*

Italicized typeface emphasizes an important point or refers you to a related topic.

### `Courier New`

Text in the Courier New font identifies messages on the LCD of the product. (MFC and DCP only)

Follow all warnings and instructions marked on the product.

### NOTE

- Not all models are available in all countries.
- The illustrations in this guide show the HL-1110 and MFC-1810.

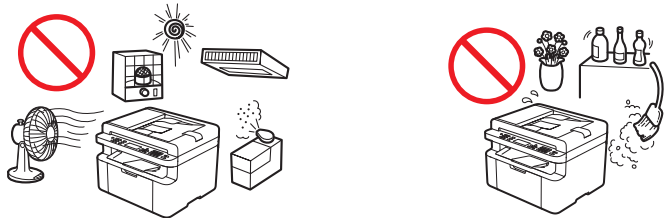
# Compilation and Publication Notice

This manual has been compiled and published to provide the latest product safety information at the time of publication. The information contained in this manual may be subject to change.

For the latest manual, please visit us at <http://solutions.brother.com/>.

## Choose a safe location for your product

Put your product on a flat, level, stable surface that is free from vibration and shocks, such as a desk. Put the product near a telephone socket (MFC only) and a standard earthed electrical socket. Choose a location where the temperature remains between 10°C and 32.5°C and the humidity is between 20% to 80% (without condensation).



### WARNING



DO NOT expose the product to direct sunlight, excessive heat, open flames, corrosive gasses, moisture or dust. Doing so may create a risk of an electrical shock, short circuit or fire. It may also damage the product and/or render it inoperable.



DO NOT place the product near heaters, air conditioners, electrical fans, refrigerators, or water. Doing so may create the risk of an electrical shock, short circuit or fire, as water may come into contact with the product (including condensation caused by heating/air conditioning/ventilation equipment).



DO NOT place the product near chemicals or in a place where chemical spillage could occur. In particular, organic solvents or liquids may cause the casing and/or cables to melt or dissolve, risking fire or electric shock. They may also cause the product to malfunction or become discoloured.



DO NOT put the product in a location that blocks or obstructs any slot or opening in the product. These slots and openings are provided for ventilation. Blocking the product's ventilation could create a risk of overheating and/or fire.

Instead:

- Keep a gap of at least 150 mm between the product and the wall.
- Place the product on a solid surface. DO NOT place the product on a bed, sofa, rug, or other similar soft surface.
- DO NOT place this product near or over a radiator or heater.
- DO NOT place this product in a "built-in" installation unless adequate ventilation is provided.

---

## CAUTION

Avoid placing your product in a high-traffic area. If you must place it in a high-traffic area, ensure that the product is in a safe location where it cannot be accidentally knocked-over, which could cause injury to you or others and serious damage to the product. Also ensure that cords are secured so as not to pose a tripping hazard.

---

DO NOT connect your product to electrical sockets controlled by wall switches or automatic timers, or to the same circuit as large appliances, such as an air conditioner, copier, shredder, etc. that may disrupt the power supply.

---

DO NOT place heavy objects on the product. DO NOT place this product on an unstable cart, stand, or table. The product is heavy and may fall, causing injury to you, and serious damage to the product. For MFC and DCP products, there is an added risk of injury if the scanner glass should break. Particularly, if you have children, please make sure the product is located in a safe position.

---

## IMPORTANT

- DO NOT put objects on top of the product. Doing so could increase the risk of overheating should the product malfunction.
  - DO NOT place anything in front of the product that will block printed documents or faxes (MFC only).
  - DO NOT place your product next to sources of interference, such as speakers or the base units of non Brother cordless telephones. Doing so may interfere with the operation of the product's electronic components.
  - Disruption of power can delete information from the product's memory.
-

# General precautions

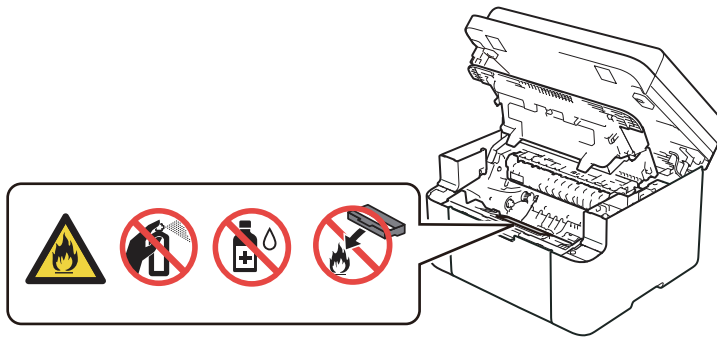
## WARNING

Plastic bags are used in the packing of your product. To avoid danger of suffocation, keep these plastic bags away from babies and children. Plastic bags are not toys.

---



- DO NOT put a toner cartridge or a toner cartridge and drum unit assembly into a fire. It could explode, resulting in injuries.
- DO NOT use flammable substances near the product. DO NOT use any type of spray to clean the inside or outside of the product. Doing so may cause a fire or electrical shock. For instructions on how to clean the product, see User's Guide: *Troubleshooting and other information*.



DO NOT use a vacuum cleaner to clean up scattered toner. Doing this may cause the toner dust to ignite inside the vacuum cleaner, potentially starting a fire. Please carefully clean the toner dust with a dry, lint-free soft cloth and dispose of it according to local regulations.

---



Unplug this product from the wall socket before cleaning the product. DO NOT use liquid or aerosol cleaners. Use a dry, lint-free soft cloth for cleaning.

---



Avoid using this product during an electrical storm. There may be a remote risk of electric shock from lightning.

---

In the unlikely event that you should come into contact with the toner, follow the instructions below:

- Inhalation

Obtain immediate medical attention. In case of accident by inhalation remove casualty to fresh air and keep at rest.

- Skin contact

Remove contaminated clothing immediately and wash affected skin with plenty of water or soap and water.

- Eye contact

Obtain medical attention. If substance has got into the eyes, immediately wash out with plenty of water for at least 15 minutes.

- Ingestion

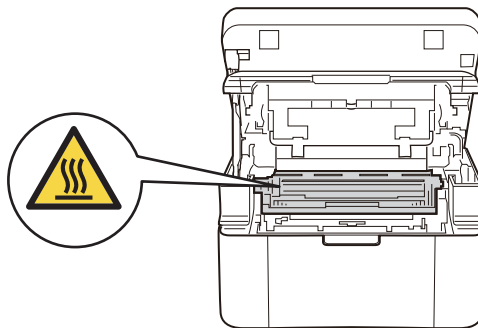
Obtain immediate medical attention. Wash out mouth with water and give 200 - 300 ml (half a pint) of water to drink.

For more safety information regarding the toners used in your product, visit the following web address to read the Safety Data Sheets (SDS) <http://sds.brother.co.jp/sdsapp/index.html>.

---

 **HOT SURFACE**

After you have just used the product, some internal parts of the product will be extremely hot. Wait at least 15 minutes for the product to cool down before you touch the internal parts of the product.





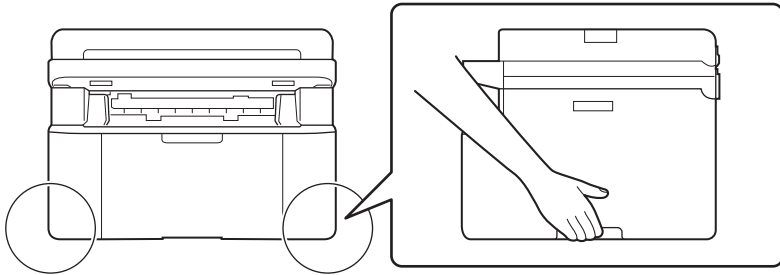
(MFC only)

Use caution when modifying telephone lines. Never touch exposed telephone wiring or terminals unless the telephone line has been unplugged at the wall socket. Never fit telephone wiring during an electrical storm. Never fit a telephone wall socket in a wet location. Doing this may cause an electrical shock.

## CAUTION

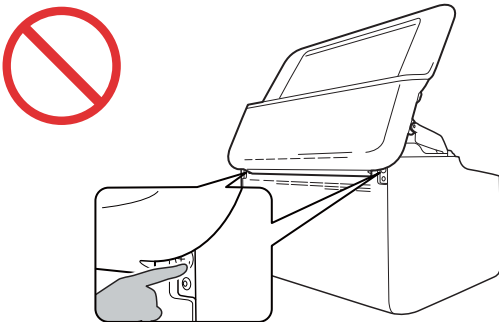
(MFC and DCP only)

When moving the product, hold it by grasping the handholds at the bottom firmly from the front of the product.

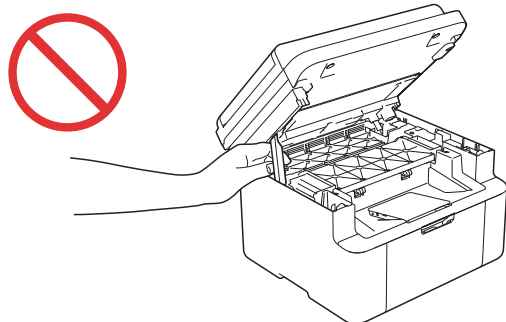


To prevent injuries, be careful not to put your fingers in the areas shown in the illustrations.

(HL only)



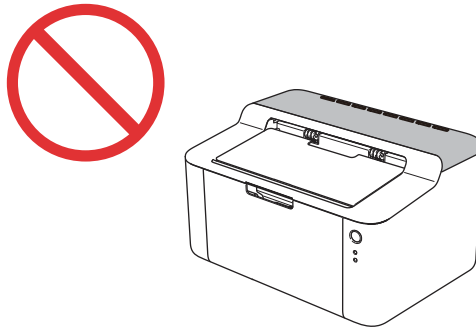
(MFC and DCP only)



(HL only)

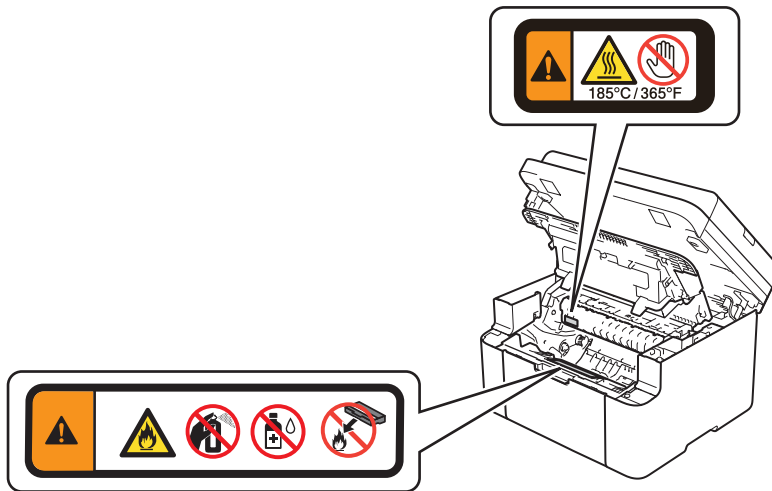
The top cover of the product will be hot, during and after using the product.

DO NOT touch or place anything on the top cover, shown by the shaded area in the illustration.



## IMPORTANT

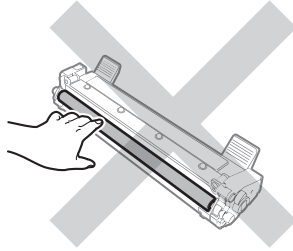
- DO NOT remove or damage any of the caution or warning labels inside the product.



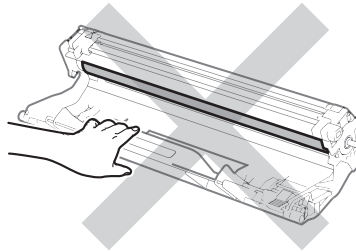
- Place the drum unit and toner cartridge assembly on a clean, flat surface with a piece of disposable paper underneath it in case you accidentally spill or scatter toner.

Handle the toner cartridge carefully. If toner scatters on your hands or clothes, wipe or wash it off with cold water at once.

- To avoid print quality problems, DO NOT touch the shaded parts shown in the illustrations.  
<Toner cartridge>



<Drum unit>



- When cleaning the machine, use neutral detergents. Cleaning with volatile liquids such as thinner or benzene will damage the surface of the machine.
  - When cleaning the drum unit, DO NOT clean the surface of the photosensitive drum with a sharp object or any liquids.
-

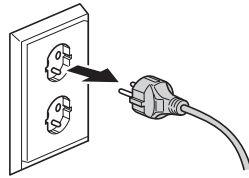


# Connecting the product safely

## WARNING



There are high voltage electrodes inside the product. Before you clean the inside of the product, make sure you have unplugged the telephone line cord first (MFC only) and then the power cord from the electrical socket. Doing this will prevent an electrical shock.



DO NOT handle the plug with wet hands. Doing this may cause an electrical shock.



Always make sure the plug is fully inserted.



This product should be connected to an AC power source within the range indicated on the rating label. DO NOT connect it to a DC power source or inverter. If you are not sure, contact a qualified electrician.



DO NOT allow anything to rest on the power cord. DO NOT place this product where people may step on the cord.



To ensure safe operation, the supplied plug must only be inserted into a standard electrical socket that is wired through the standard electrical wiring. Where supplied the three-pin plug must be inserted only into a standard three-pin electrical socket that is properly earthed through the standard electrical wiring.

---



DO NOT place this product in a position where the cord becomes stretched, or where strain is otherwise put on the cord. Doing so may cause the cord to become worn or frayed.

---



DO NOT use the product if the power cord is frayed or damaged. Doing so may cause an electrical shock or a fire.

---



Brother strongly recommends that you DO NOT use any type of extension cord.

---

# Servicing the product

DO NOT attempt to service this product yourself because opening or removing covers may expose you to dangerous voltage points and other risks that may void your warranty. If you experience any problems with your machine, call Brother customer service or your local Brother dealer.

## WARNING



If the product has been dropped or the casing has been damaged, there may be the possibility of an electric shock. Unplug the product from the electrical socket and call Brother customer service or your local Brother dealer.

## CAUTION

If the product becomes unusually hot, releases smoke, generates any strong smells, or if you accidentally spill any liquid on it, immediately unplug the product from the electrical socket. Call Brother customer service or your local Brother dealer.

## IMPORTANT

If the product does not operate normally when the operating instructions are followed, adjust only those controls that are covered by the operating instructions. Incorrect adjustment of other controls may result in damage and will often require extensive work by a qualified technician to restore the product to normal operation.

# Product Warranty & Liability

Nothing in this guide shall affect any existing product warranty or be construed as granting any additional product warranty. Failure to follow the safety instructions in this guide may invalidate your product's warranty.

## Approval Information (MFC only)

---

THIS EQUIPMENT IS DESIGNED TO WORK WITH A TWO WIRE ANALOGUE PSTN LINE FITTED WITH THE APPROPRIATE CONNECTOR.

Brother advises that this product may not function correctly in a country other than where it was originally purchased, and does not offer any warranty in the event that this product is used on public telecommunication lines in another country.

## Declaration of Conformity (Europe only)

---

We, Brother Industries, Ltd.

15-1, Naeshiro-cho, Mizuho-ku, Nagoya 467-8561 Japan

declare that this product is in conformity with the essential requirements of all relevant directives and regulations applied within the European Community

The Declaration of Conformity (DoC) can be downloaded from our website. Visit <http://solutions.brother.com/> and:

- select "Europe"
- select your country
- select your model
- select "Manuals" and your language, then click "Search"
- select Declaration of Conformity
- click "Download".

Your Declaration will be downloaded as a PDF file.

## Declaration of Conformity for R&TTE (Radio and Telecommunications) Directive 1999/5/EC (Europe only) (Applicable to models with telecommunications and/or radio interfaces)

---

We, Brother Industries, Ltd.

15-1, Naeshiro-cho, Mizuho-ku, Nagoya 467-8561 Japan

declare that these products are in conformity with the provisions of the R&TTE Directive 1999/5/EC. A copy of the Declaration of Conformity can be downloaded by following the instructions in the Declaration of Conformity (Europe only) section.

## IEC60825-1:2007 Specification (For 220-240V Models Only)

---

This product is a Class 1 laser product as defined in IEC60825-1:2007 specifications. The label shown below is attached in countries where required.

This product has a Class 3B Laser Diode which emits invisible laser radiation in the Laser Unit. The Laser Unit should not be opened under any circumstances.



### Internal Laser radiation

Wave length: 770 - 800 nm

Output: 25 mW max.

Laser Class: Class 3B

### WARNING

Use of controls, adjustments or performance of procedures other than those specified in this manual may result in hazardous radiation exposure.

---

### Disconnect device

---

### CAUTION

This product must be installed near an electrical socket that is easily accessible. In case of emergencies, you must disconnect the power cord from the electrical socket to shut off power completely.

---

### Radio interference

---

This product complies with EN55022 (CISPR Publication 22)/Class B.

## Recycling information in accordance with the WEEE and Battery Directives

---



Product mark



Battery mark

### European Union only

The product/battery is marked with one of the above recycling symbols. It indicates that at the end of the life of the product/battery, you should dispose of it separately at an appropriate collection point and not place it in the normal domestic waste stream.

# Trademarks

The Brother logo is a registered trademark of Brother Industries, Ltd.

Brother is a trademark of Brother Industries, Ltd.

Microsoft, Windows, Windows Vista, Windows Server, Outlook and Internet Explorer are either registered trademarks or trademarks of Microsoft Corporation in the United States and/or other countries.

Apple, Macintosh, Safari and Mac OS are trademarks of Apple Inc., registered in the U.S. and other countries.

Linux is the registered trademark of Linus Torvalds in the U.S. and other countries.

Intel and Pentium are trademarks of Intel Corporation in the U.S. and/or other countries.

Adobe, Photoshop and Reader are either registered trademarks or trademarks of Adobe Systems Incorporated in the United States and/or other countries.

Each company whose software title is mentioned in this manual has a Software License Agreement specific to its proprietary programs.

**Any trade names and product names of companies appearing on Brother products, related documents and any other materials are all trademarks or registered trademarks of those respective companies.**

# Copyright and License

©2013 Brother Industries, Ltd. All rights reserved.

# Other Information

FlashFX<sup>®</sup> is a registered trademark of Datalight, Inc.

FlashFX<sup>®</sup> Copyright 1998-2010 Datalight, Inc.

U.S. Patent Office 5,860,082/6,260,156

FlashFX<sup>®</sup> Pro<sup>™</sup> is a trademark of Datalight, Inc.

Reliance<sup>™</sup> is a trademark of Datalight, Inc.

Datalight<sup>®</sup> is a registered trademark of Datalight, Inc.

Copyright 1989-2010 Datalight, Inc., All Rights Reserved

## Unlawful use of copying equipment (MFC and DCP only)

It is an offence to make reproductions of certain items or documents with the intent to commit fraud. The following is a non-exhaustive list of documents which it may be unlawful to produce copies of. We suggest you check with your legal adviser and/or the relevant legal authorities if in doubt about a particular item or document:

- Currency
- Bonds or other certificates of debt
- Certificates of Deposit
- Armed forces service or draft papers
- Passports
- Postage stamps (cancelled or uncanceled)
- Immigration papers
- Welfare documents
- Cheques or drafts drawn by governmental agencies
- Identifying badges or insignias

In addition, driving licenses and/or Certificates of Title to motor vehicles may not be copied under certain national laws.

Copyrighted works cannot be copied lawfully, subject to the “fair dealing” exception relating to sections of a copyrighted work. Multiple copies would indicate improper use. Works of art should be considered the equivalent of copyrighted works.



**brother®**



Month of publication: 02/2019

[www.brotherearth.com](http://www.brotherearth.com)