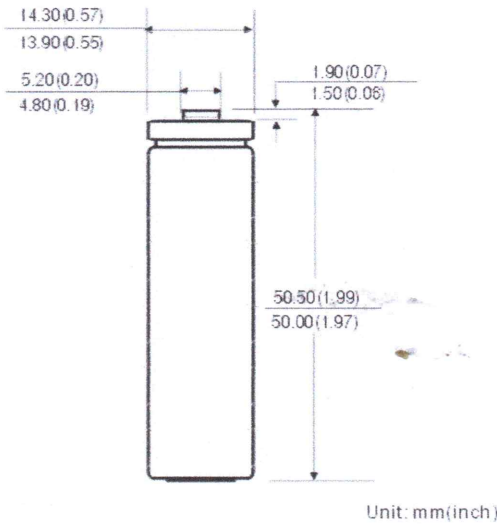


RECHARGEABLE BATTERY : Nickel Metal-hydride

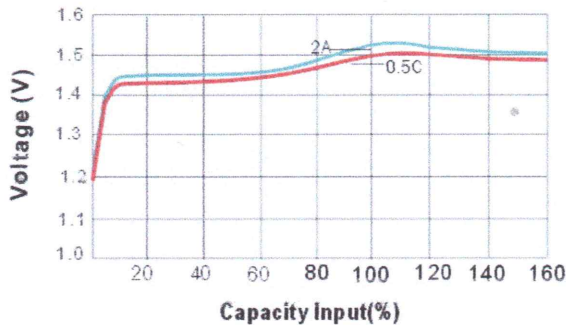
NHAA2500

Dimensions:



Chemical System	: Nickel Metal-Hydride
Camelion Number	: AA2500
Average Weight	: 29.5g
Dimension (Φ x H)	: 14.1 ^{+0.2} x 50.5 ^{-0.5} mm
	: 0.56 ^{+0.1} x 1.99 ^{0.02} inch
Nominal Voltage	: 1.2Volts
Nominal Internal impedance	: 25m-ohm @ 1kHz
Capacity(500mA constantly discharge to 1.0V):	
Typical	: 2500mAh
Minimum	: 2300mAh
Max. Charge current	: 2000mA
Max. Discharge current	: 5000mA
Relative Humidity	: 65 ± 20%
Jacket	: Aluminum Foil/PVC Label

Fast Charge Characteristics



Charge conditions

Mode	Current	Time	Temperature
Standard	250mA	16.0hrs	0°C~45°C
Quick	750mA	4.0hrs	10°C~45°C
Fast	1000mA	2.5hrs*	10°C~45°C
Trickle	60~90mA	Continuously	10°C~35°C

*It can also be controlled with - ΔV or dT/dt system
 - ΔV : 0-5mV
 dT/dt : 0.8°C/min(0.5C to 0.9C)
 0.8-1.0°C/min(1C)
 Timer cut off : 120% nominal capacity
 Temp. cut off : 55°C

Continuous Overcharge

250mA maximum current for 28 days
 No conspicuous deformation and/or leakage

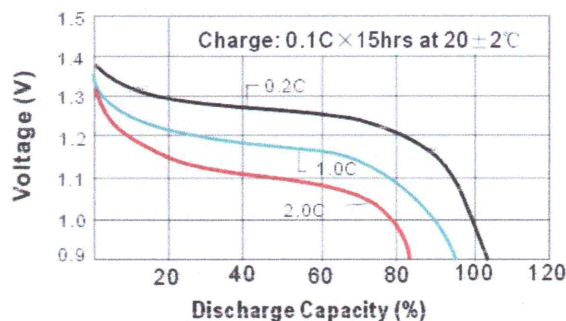
Operating and Storage Temperatures

Charge at 0.1C : 32°F to 122°F (0°C to 50°C)
 Discharge at 0.1C : -4°F to 122°F (-20°C to 50°C)
 Storage : -40°F to 122°F (-40°C to 50°C)
 (6 Months Max.)
 -4°F to 95°F (-20°C to 35°C)
 (2 Years Max.)

Service life

>500cycles (IEC standard)
 Up to 1000cycles (not less than 60% of nominal at 0.1C Charge/0.1 discharge)

Discharge Characteristics



Import Notice

The information (subject to change without prior notice) contained in this document is for reference only and should not be used as a basis for product guarantee or warranty. For applications other than those described here, please consult your nearest Camelion Sales and Marketing or Distributors or visit the web address: www.camelion.com.

Ni-MH Battery

Model: AA 2500mAh

Camelion



Main Features

CAMELION rechargeable Ni-MH batteries offer high capacity per 1.000 recharge cycles, and, because they are used again and a environmental waste. High drain devices such as music players are supported, so you can hear more songs and take more photo

Specifications

; Int. Frame size to IEC.....HR6	; Voltage (V).....
; Frame size.....AA	; Jacket.....
; electrochemical System..... Nickel-Metal-Hydrid	; Dimensions (øxL mm).....
; Capacity.....2500mAh to 1,0V (at 500mA constantly discharge)	; Custom code.....
; Weight (g).....29,5	
	; Price:.....

Technical and logistical changes reserved

Packaging	Blister	Inner box
Width (mm)	90	104
Depth (mm)	15	134
Height (mm)	117	97