
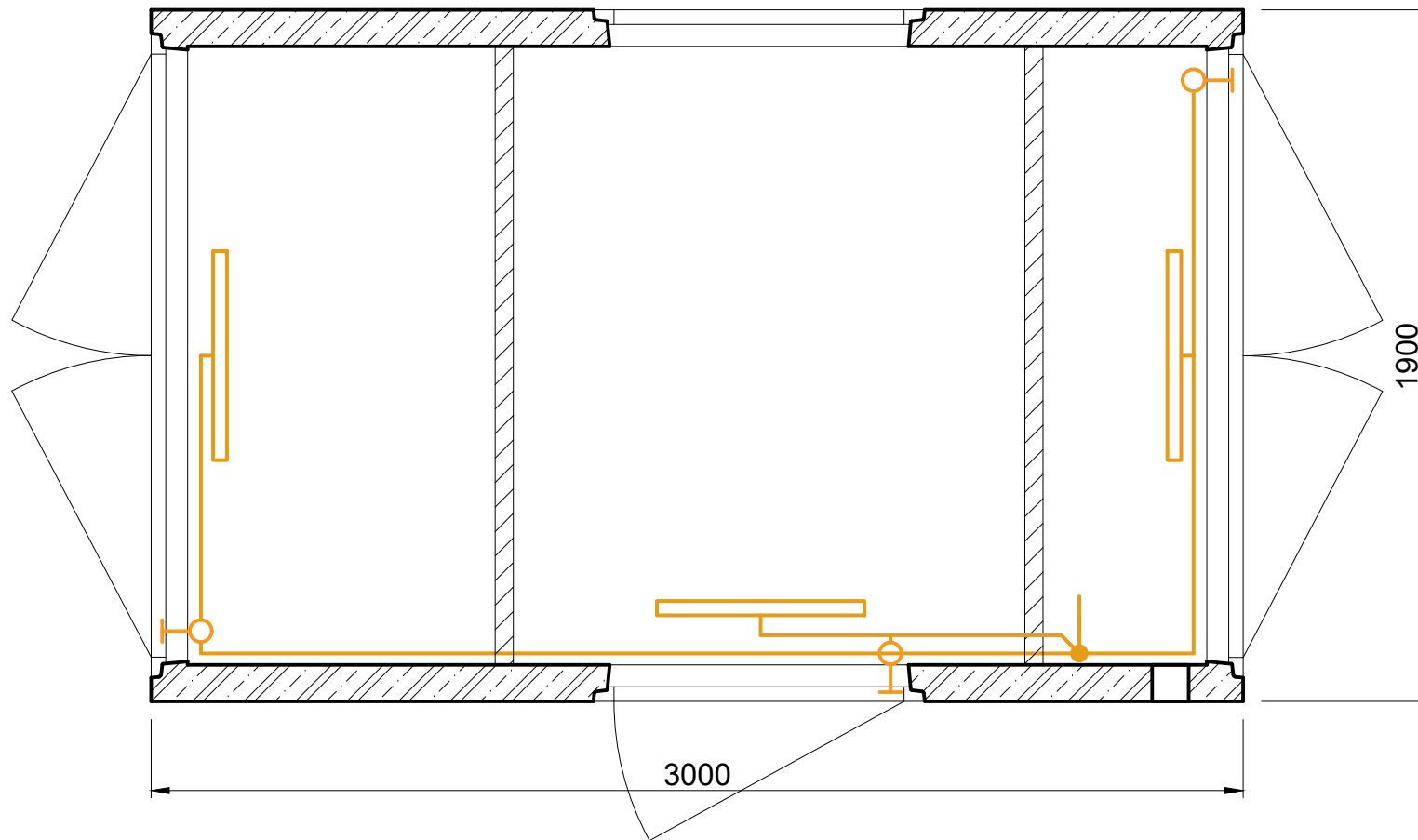


INVESTOR:		MADE BY :	ELEKTRO-HARAMIA	DATE :	10/2023			 <b>LOZORNO</b>
PROJECT				SIZE :	A4			
TYPE:	GROUN PLAN EH8C / 50-630KVA			SCALE:		NUMBER:		



LEGENDA:




JUNCTION BOX PLASTIC, IP67

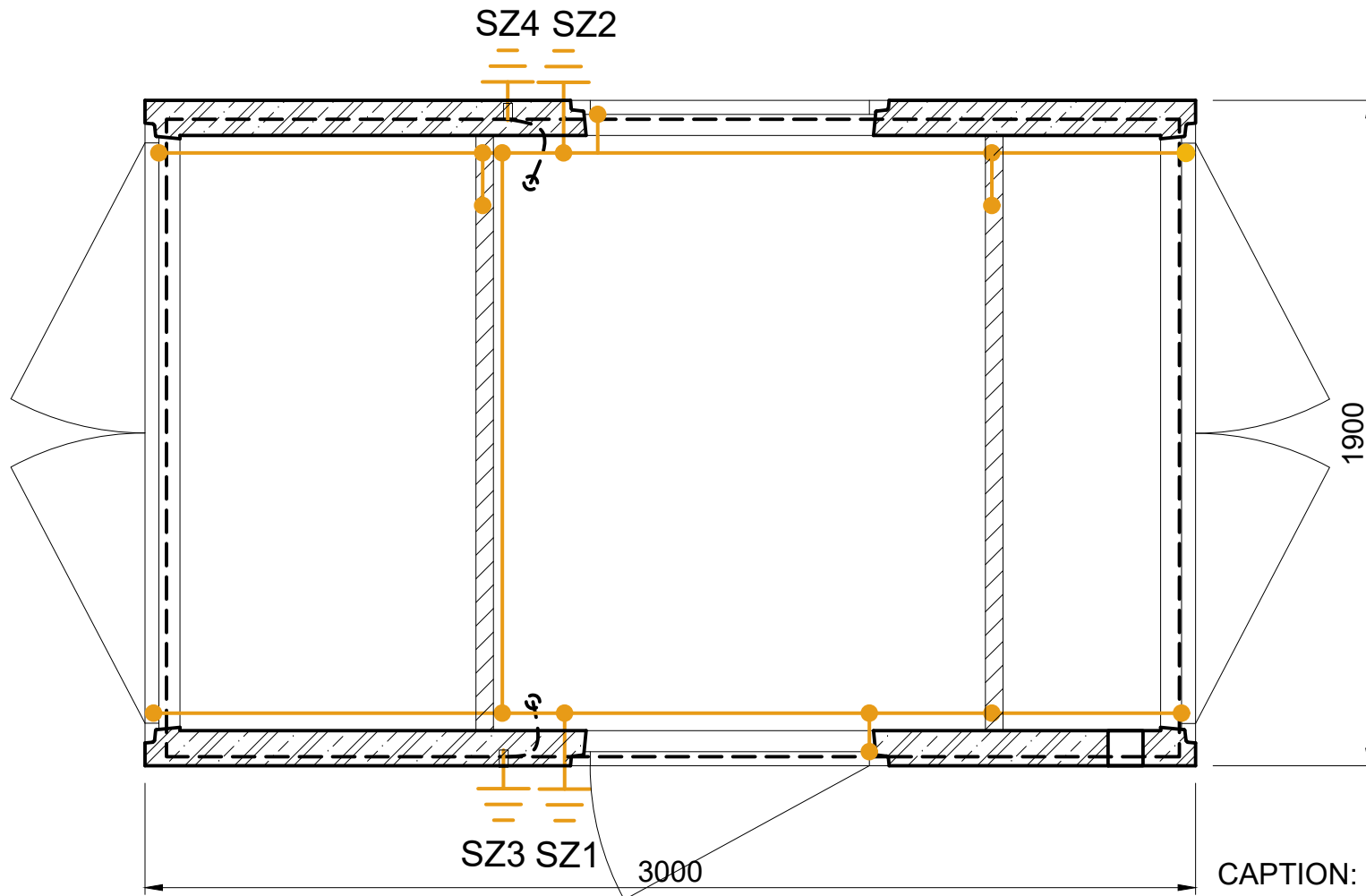


LED LAMP




LIMIT SWITCH

INVESTOR:		MADE BY :	ELEKTRO-HARAMIA	DATE :	10/2023			 <b>LOZORNO</b>
PROJECT				SIZE :	A4			
TYPE:	LIGHTING EH8C / 50-630kVA			SCALE:		NUMBER:		



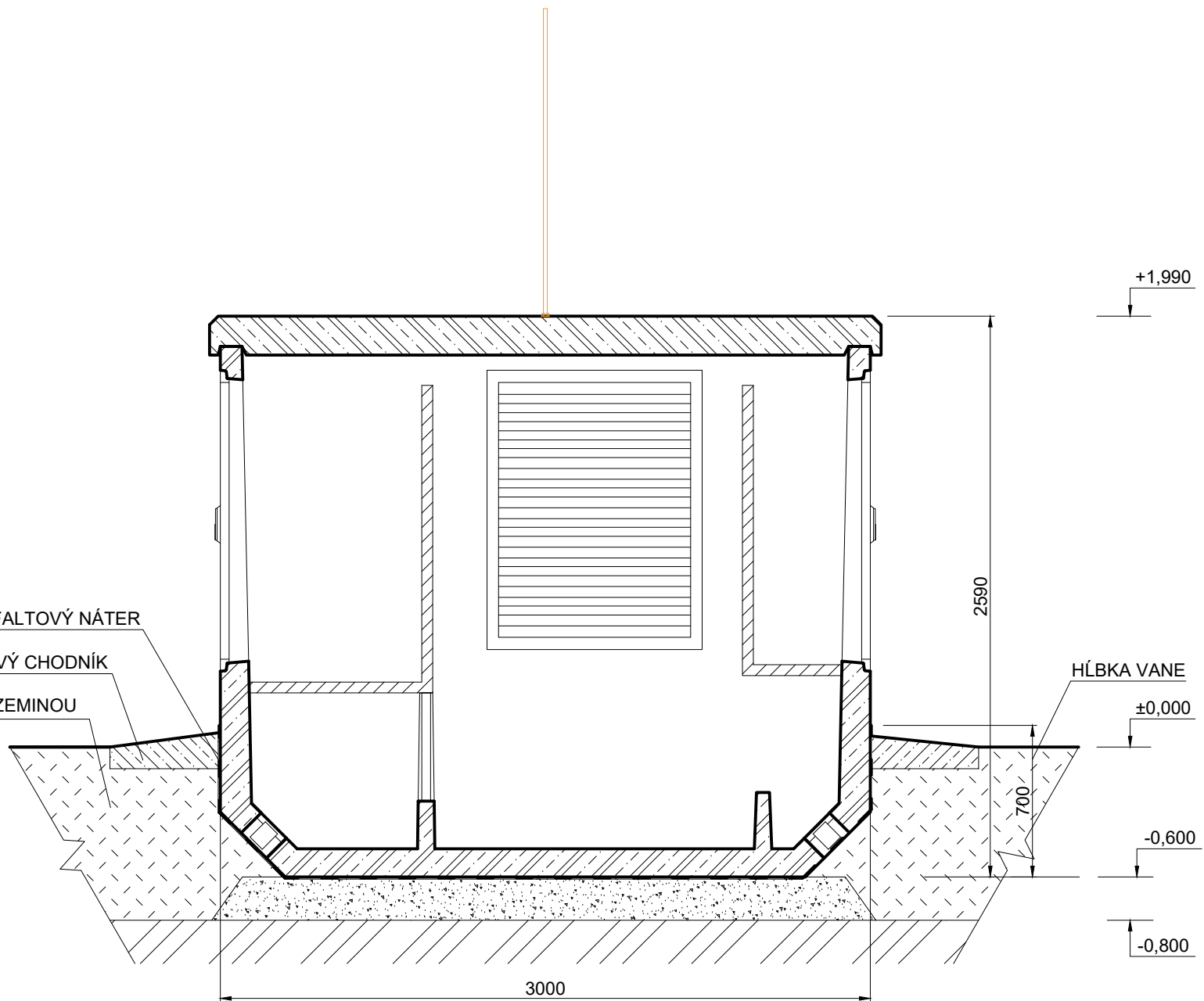
CAPTION:  
 SZ GROUND TEST TERMINALS  
 TECHNOLOGICAL PART

INVESTOR:		MADE BY :	ELEKTRO-HARAMIA	DATE :	10/2023			 <b>LOZORNO</b>
PROJECT				SIZE :	A4			
TYPE:	INTERNAL GROUNDING EH8C / 50-630KVA			SCALE:		NUMBER:		

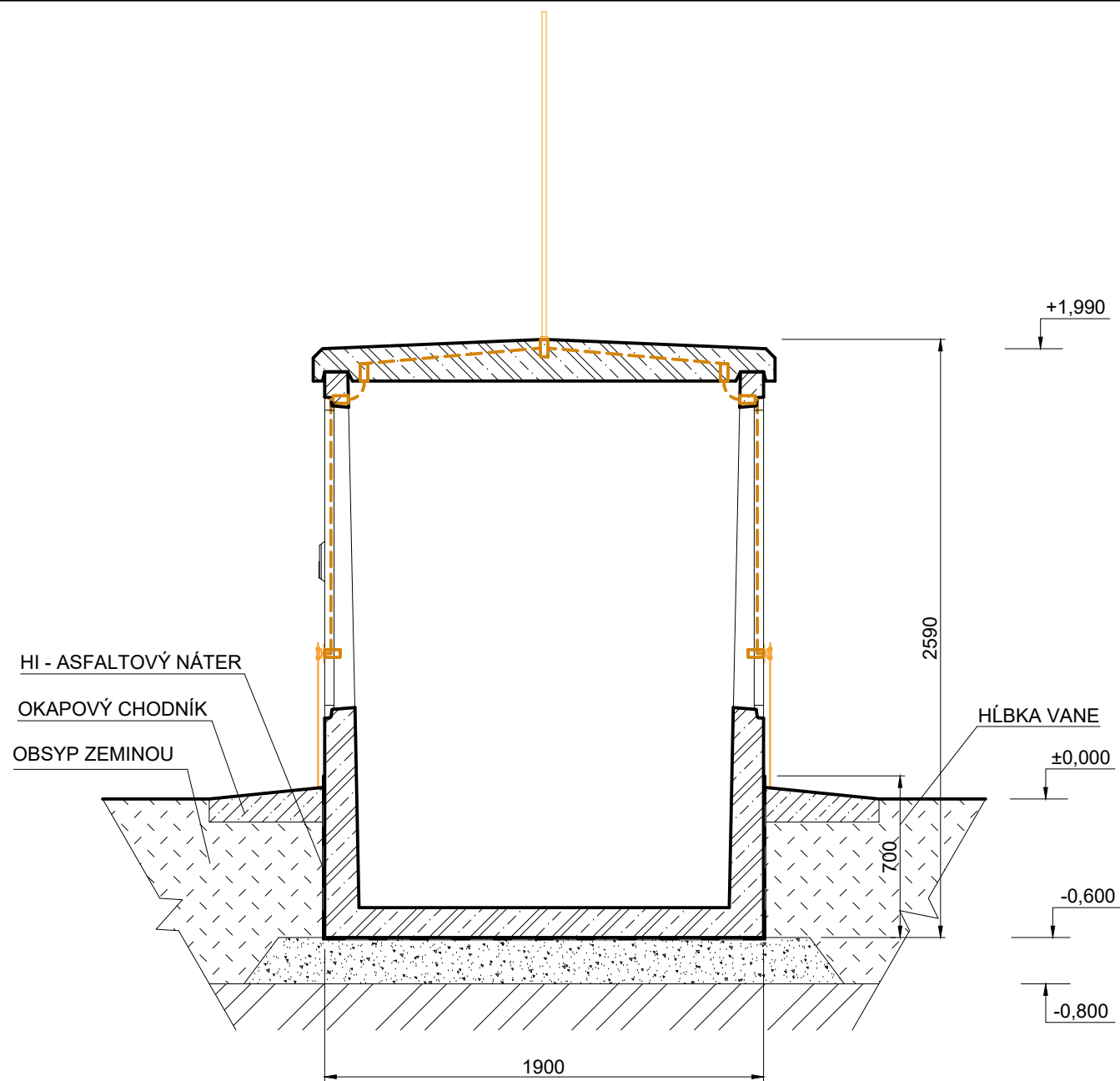
HI - ASFALTOVÝ NÁTER

OKAPOVÝ CHODNÍK

OBSYP ZEMINOU

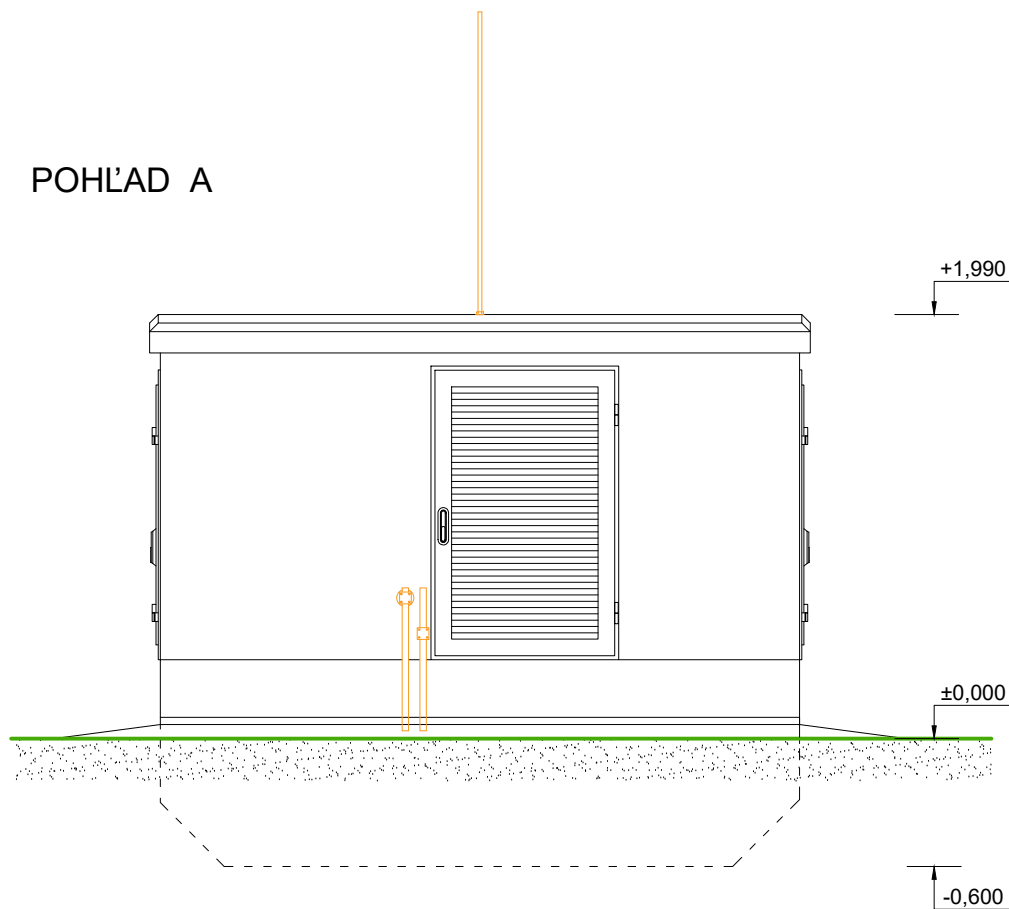


INVESTOR:		MADE BY :	ELEKTRO-HARAMIA	DATE :	10/2023			<b>elektro HARAMIA</b> <b>LOZORNO</b>
PROJECT				SIZE :	A4			
TYPE:	CROSS SECTION A-A EH8C / 50-630KVA			SCALE:		NUMBER:		

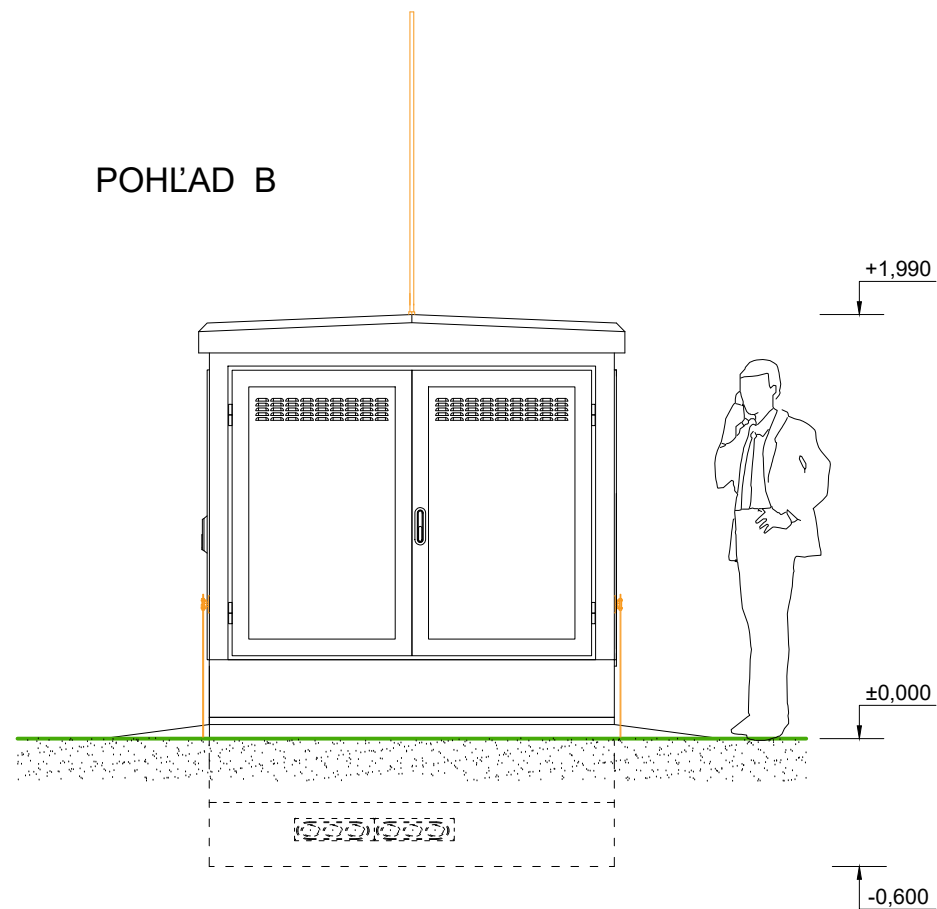



INVESTOR:		MADE BY :	ELEKTRO-HARAMIA	DATE :	10/2023			
PROJECT				SIZE :	A4			
TYPE:	CROSS SECTION B-B EH8C / 50-630kVA			SCALE:		NUMBER:		

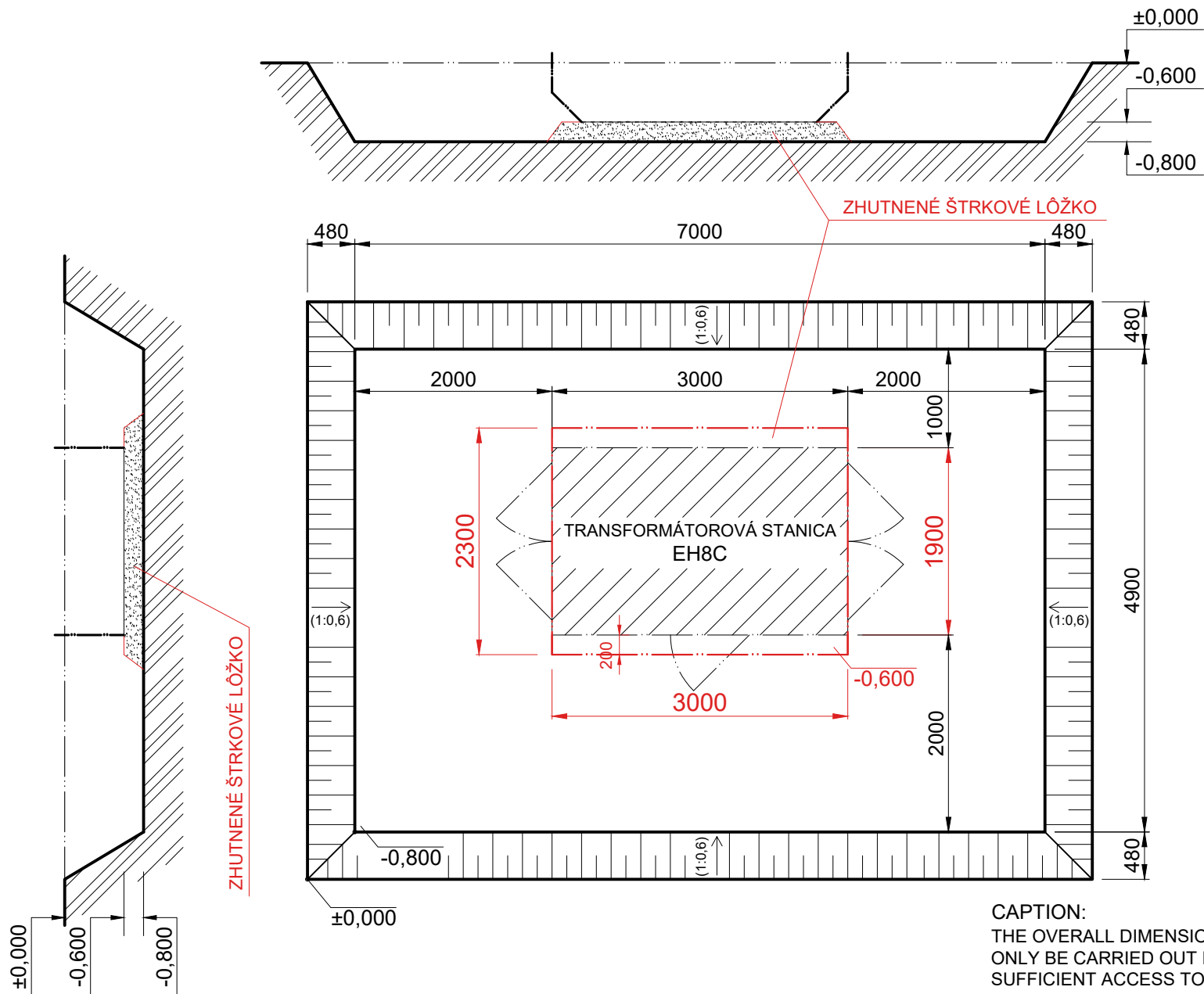
POHĽAD A




POHĽAD B



INVESTOR:		MADE BY :	ELEKTRO-HARAMIA	DATE :	10/2023			 <b>LOZORNO</b>
PROJECT				SIZE :	A4			
TYPE:	VIEWS EH8C / 50-630kVA			SCALE:		NUMBER:		



CAPTION:  
 THE OVERALL DIMENSION OF THE EXCAVATION SHOULD ONLY BE CARRIED OUT IF THE VEHICLE CRANE HAS SUFFICIENT ACCESS TO THE BED (CONSULT THE SUBSTATION SUPPLIER)

INVESTOR:		MADE BY :	ELEKTRO-HARAMIA	DATE :	10/2023			 <b>LOZORNO</b>
PROJECT				SIZE :	A4			
TYPE:	TOTAL EXCAVATION EH8C / 50-630kVA			SCALE:		NUMBER:		