

Pumps: RCB 32-16CR 2B55 U181 1/A**Item:****LIQUIDO**

Liquid	WATER WITH OIL		Liquid Temperature	40	
Liquid	NO, CLEAN SOLIDS		Density	1,00	kg/dm ³
Liquid	-		Kinematic Viscosity	1,0	mm ² /s

DESIGN PARAMETER

Working Capacity	20,0	m ³ /h	Working Absorbed Power	3,61	kW
Working Head	30,4	m	Nominal Working Speed	2.920	1/min
Required Capacity	20,0	m ³ /h	Service	-	
Required Head	30,0	m	Suction Conditions	-	
Max. Capacity	37,0	m ³ /h	Geodetic Suction Head	-	
Min. Capacity	1,4	m ³ /h	Gauge Suction Pressure	0,00	bar
Max. Head	32,1	m	Minimum ambient temperature	-20	°C
NPSH available	0,00	m	Altitude of Installation	<1000 m ASL	
NPSHr (Required from the pump)	1,91	m			
Efficiency at Working Point	45,8				

PUMP DETAILS

Pump Standard	ISO 5199		Flange Face Finish	RF - Flanged with Raised Face	
Pump Designation	RC		Rated Impeller Trim	CR	
Pump Size	32-16		Impeller Type	Vortex	
Pump Group	1		Rated Impeller Diameter	145	mm
Installation area	Safe Area		Maximum Impeller Diameter	169	mm
Atex Category	Safe Zone		Minimum Impeller Diameter	115	mm
Design Pressure	10	bar	Solids Free Passage [mm]	20	
Hydrostatic Test Pressure	15	bar	Casing Drain Hole	Not Present	
Suction Port Diameter [DN]	50		Casing Venting Hole	Not Present	
Discharge Port Diameter [DN]	32		Painting Cycle	STD-RAL5010-Poliacr.cat.	
Pump Flanges Norm	EN 1092 PN10		Pump RAL	5010	

PUMPS EXECUTION

Pump Configuration	Horizontal		Coupling Type	MFR Standard	
Pump Execution	On base With STD Flex. Coupl.		Coupling Spacer	Without Spacer	
Bearing Size/Arrangement	STD		Spacer length	0	mm
Bearing Lubrication Type	Oil		Motor Shaft diameter	38,0	mm
Bearing Housing Oil Capacity	0,25 l		Shaft Diameter Drive side	24	mm
Bearing Temp. Probes	Not Included		Baseplate Code Number	2	
Constant Level Oiler	Not Included		Base-Plate Drain Pan	Not Included	
Transmission Type	Flex Coupling				

PUMPS MATERIALS

Pump Casing Material	GJL 250 EN 1561		Wear Ring Material	Not Present	
Impeller Material	GS400		Gasket Main Material	Guarnital	
Shaft Material	EN10088 - AISI 420		Base-Plate Material	Carbon Steel	
Shaft Sleeve material	Aisi 420		Coupling Material	Cast Iron	
Wear Plate Material	Not Present				

MECHANICAL SEALS

Seal Execution	U (Standard) (Single Seal)		Cartridge Type	-	
Mechanical Seal Nominal Diamet	33	mm	Cartridge Seal Brand	-	
Seals Supply	Included		Cartridge Internal Code	999	
Mech. Seal Type (Pump Side)	UN L4K		Cartridge Seal	-	
Mech. Seal Pump Side Brand	Uniten		API PLAN	Not Present	
MFR Internal Mech. Seals Code	181		Plan Pipes material	N.A.	
Mechanical Seal fluid side	SIC/SIC/VITON		Flushing Pressure	Ext. Flushing not required	
Mech. Seal Pump Side Pin	Not Present		Flushing Tank	Not Present	
Mech. Seal Type (Flush. Side)	-		Flushing Tank Supply	Tank Not Included	
Mech. Seal Motor Side Brand	-				
Mechanical Seal Motor side	-				
Mech. Seal Motor Side Pin	Not Available				

EXTRA

Heating/Cooling Casing Chamber	Not Present		Pump Casing Treatments	Not Present	
Seal Heating Jacket	Not Present		Pump Impeller Treatments	Not Present	
Heat Exchanger	Not Present		Special Pump Treatments	Not Present	
			Special Casing Execution	Not Present	

MOTOR

Electric Motor Brand	FELM		Motor Class Tolerances	NO - Standard Class	
El. Motor Serie	FA3		Additional Fan Cooling	-	
Electric Motor Poles	2		Motor Roof	-	
Motor Power	5,50	kW	PT100 Probes	-	
Motor Size	132S		Auxiliary Electric Box	-	
El. Motor Flange Diameter	300		Motor Heaters	-	
Electric Motor Supply	Included		Heaters Voltage [V]	-	
El Motor Standard/Customized	Standard		Ambient Temp. < -20°C	-	
Motor Category	IEC (not ATEX)		Working Temp. >40°C	-	
Std. Electric Motor Brand	FELM		Motor Casing Material	Aluminium	
Nominal Motor Frequency	50	HZ	Downsized Motor	-	
Operating motor voltage	400/690		Derated Engine Power	-	kW
Motor Efficiency Class	IE3		Additional Label	-	
Motor Shape	B3		Insulated Ball Bearing for VFD	-	
Motor Protection	IP55		Motor Extras	-	
Insulation Class	F		Extras	-	
PTC	N.A.		Extras	-	
Number of PTC Required	-		Extras	-	
Max Frequency (Inverter Use)	60		Extras	-	
Min. Frequency (Inverter Use)	40				

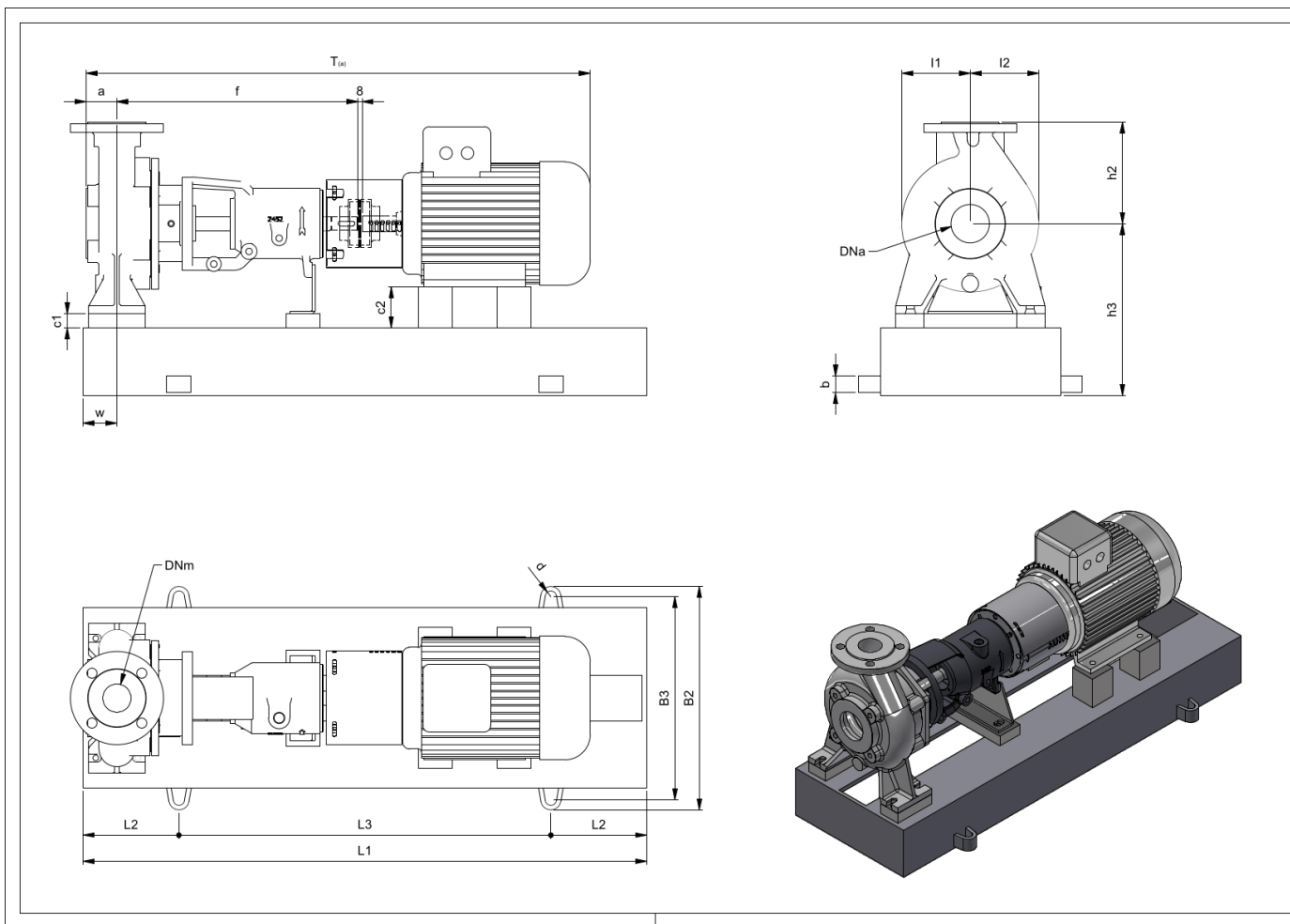
TEST AND CERTIFICATES

Food Certificate	No Certification Issue		NPSH Test	No Certification Issue	
ATEX Declaration of Conformity	No		Noise Test	No Certificate Issue	
Impeller Balancing Certificate	No Certificate Issue (P-1006)		Painting Check	No Certificate Issue	
CE Declaration of Conformity	Yes		Certificate of Quality	No	
Drawing Acc.To Customer Spec.	No		End Supply Certification Book	No	
Certificate of Warranty	No		Performance Test (Q-H-P)	No Certificate Issue	
Hydrostatic Test	No Certificate Issue (P-1005)		Visual a Dimensional Check	No Certificate Issue (P-1012)	
Inspection and Test Plan	No		Vibration Test	No Certificate Issue	
Material Certificate	-		Working Conformity Certificate	No Certification Issue	
Mechanical Running Test	No Certification Issue		Preferential Origin	Included	

CONFIDENTIAL AGREEMENT

NO PART OF THIS REPORT MAY BE REPRODUCED AND TRANSMITTED IN ANY FORM OR ANY MEANS WITHOUT PRIOR WRITTEN PERMISSION OF SR pumps.
THIS DOCUMENT MAY BE USED ONLY AS A PIECE OF CONFIDENTIAL TECHNICAL REFERENCE AND NEVER AS AN OFFICIAL DOCUMENT AGAINST SR pumps INTEREST.

NOTE:



Serie	Size	Mot. Size	a	f	h3	h2	L1	L2	L3	B2	B3	w	d	b	c1	c2	l1	l2	T(a)	Weight
RC	32-16	132S	48,00	418,00	252,00	160,00	1.000,0	170,00	660,00	400,00	360,00	60,00	19,00	30,00	0,00	0,00	114,00	114,00	935,00	121,00

Ref.Speed (rpm) 2.920

ITEM: R

Curve n.: T-1116a	Max Diameter (mm): 169	Min Diameter (mm): 115	Sel. Diameter (mm): 145	Material: CAST IRON			
Flow (m3/h): 20,00000	Head (m): 30,350000	Power (kW): 3,6100000	Efficiency (%): 45,8200	NPSH (m): 1,910000	NS: 23	SSS: 117	GD2: 0
Density (kg/dm3): 1,00000	Viscosity (cSt): 1,0000000	Fluid: Non Specificato	Impeller Type: VORTEX				

