

DH-IPC-HDW1530T-S6

5MP Entry IR Fixed-focal Eyeball Network Camera



- 5MP 1/2.7" CMOS image sensor, low luminance, and high definition image.
- Outputs max. 5MP (2880 × 1620) @20 fps and supports 2688 × 1520 (2688 × 1520) @25/30 fps.
- H.265 codec, high compression rate, and ultra-low bit rate.
- Built-in IR LED, and the max. illumination distance is 30 m.
- ROI, SMART H.264 +/H.265+, flexible coding, applicable to various bandwidth and storage environments.
- Rotation mode, DWDR, 3D NR, HLC, BLC, digital watermarking, applicable to various monitoring scenes.
- Abnormality detection: Motion detection, video tampering, audio detection, network disconnection, IP conflict, and illegal access.
- Built-in MIC.
- 12 V DC/PoE power supply.
- IP67 protection.



Series Overview

With features of simple installation, easy operation, and high performance-cost ratio, Dahua Entry series network camera is applicable to small and medium-sized scenes, such as homes/residences, small-sized retail stores, and other small and medium-sized enterprises.

Functions

Smart H.265+ & Smart H.264+

With advanced scene-adaptive rate control algorithm, Dahua smart encoding technology realizes the higher encoding efficiency than H.265 and H.264, provides high-quality video, and reduces the cost of storage and transmission.

Motion Detection

When moving objects appear in the monitoring image, Dahua Motion Detection (General) technology triggers alarm or records.

Smart Illumination

Dahua Smart Illumination technology can display image in the environment of low illuminance or completely dark environment. According to the distance of the targets, the camera adjusts illuminations intensity automatically to display the details of the moving target.

Image Flip

For narrow and long scenes, Dahua image flip technology flips the image by 90°/180°/270° to realize better surveillance in rotation mode.

Cyber Security

Dahua network cameras employ a series of security technologies, including security authentication and authorization, access control protocols, trusted protection, encrypted transmission and encrypted storage. These technologies improve the camera's defense against external cyber threats and prevent malicious programs from comprising the device.

Protection (IP67, wide voltage)

IP67: The camera passes a series of strict test on dust and soak. It has dust-proof function, and the enclosure can work normal after soaking in 1 m deep water for 30 minutes.

Wide voltage: The camera allows ±30% (for some power supplies) input voltage tolerance (wide voltage range), and it is widely applied to outdoor environment with instable voltage.

Technical Specification					
Camera					
Image Sensor	1/2.7" CMOS				
Max. Resolution	2880 (H) × 1620 (V)				
ROM	16 MB				
RAM	128 MB				
Scanning System	Progressive				
Electronic Shutter Speed	Auto/Manual 1/3 s–1/100,000 s				
Min. Illumination	0.03 Lux@F2.0 (Color, 30 IRE) 0.003 Lux@F2.0 (B/W, 30 IRE) 0 Lux (Illuminator on)				
S/N Ratio	> 56 dB				
Illumination Distance	30 m (98.43 ft) (IR)				
Illuminator On/Off Control	Auto/Manual				
Illuminator Number	1 (IR LED)				
Pan/Tilt/Rotation Range	Pan: 0°–360° Tilt: 0°–78° Rotation: 0°–360°				
Lens					
Lens Type	Fixed-focal				
Lens Mount	M12				
Focal Length	2.8 mm; 3.6 mm				
Max. Aperture	2.8 mm: F2.0 3.6 mm: F2.0				
Field of View	2.8 mm: Horizontal: 106°; Vertical: 56°; Diagonal: 125° 3.6 mm: Horizontal: 92°; Vertical: 48°; Diagonal: 109°				
Iris Control	Fixed				
Close Focus Distance	2.8 mm: 0.8 m (2.62 ft) 3.6 mm: 1.3 m (4.27 ft)				
DORI Distance	Lens	Detect	Observe	Recognize	Identify
	2.8 mm	56.0 m (183.73 ft)	22.4 m (73.49 ft)	11.2 m (36.75 ft)	5.6 m (18.37 ft)
	3.6 mm	76.0 m (249.34 ft)	30.4 m (99.74 ft)	15.2 m (49.87 ft)	7.6 m (24.93 ft)
Video					
Video Compression	H.265; H.264; H.264B; MJPEG (only supported by the sub stream)				
Smart Codec	Smart H.265+; Smart H.264+				
Video Frame Rate	Main stream: 2880 × 1620 (1 fps–20 fps) 2688 × 1520 (1 fps–25/30 fps) Sub stream: 704 × 576 (1 fps–25 fps) 704 × 480 (1 fps–30 fps) *The values above are the max. frame rates of each stream; for multiple streams, the values will be subjected to the total encoding capacity.				
Stream Capability	2 streams				
Resolution	2880 × 1620 (2880 × 1620); 2688 × 1520 (2688 × 1520); 2560 × 1440 (2560 × 1440); 3M (2048 × 1536); 2304 × 1296 (2304 × 1296); 1080p (1920 × 1080); 1.3M (1280 × 960); 720p (1280 × 720); D1 (704 × 576/704 × 480); VGA (640 × 480); CIF (352 × 288/352 × 240)				

Bit Rate Control	CBR/VBR
Video Bit Rate	H.264: 32 kbps–6144 kbps H.265: 12 kbps–6144 kbps
Day/Night	Auto (ICR)/Color/B/W
BLC	Yes
HLC	Yes
WDR	DWDR
White Balance	Auto; natural; street lamp; outdoor; manual; regional custom
Gain Control	Auto; manual
Noise Reduction	3D NR
Motion Detection	OFF/ON (4 areas, rectangular)
Region of Interest (RoI)	Yes (4 areas)
Smart Illumination	Yes
Image Rotation	0°/90°/180°/270° (Support 90°/270° with 2688 × 1520 resolution and lower)
Mirror	Yes
Privacy Masking	4 areas
Audio	
Built-in MIC	Yes
Audio Compression	G.711a; G.711Mu; G.726; PCM
Alarm	
Alarm Event	Network disconnection; IP conflict; illegal access; motion detection; video tampering; audio detection; security exception
Network	
Network Port	RJ-45 (10/100 Base-T)
SDK and API	Yes
Cyber Security	Video encryption; configuration encryption; Digest; WSSE; account lockout; security logs; generation and importing of X.509 certification; HTTPS; trusted boot; trusted execution; trusted upgrade
Network Protocol	IPv4; IPv6; HTTP; TCP; UDP; ARP; RTP; RTSP; SMTP; FTP; DHCP; DNS; DDNS; NTP; Multicast
Interoperability	ONVIF (Profile S/Profile T); CGI; P2P; Genetec; Milestone
User/Host	6 (Total bandwidth: 48 M)
Storage	FTP
Browser	IE Chrome Firefox
Management Software	Smart PSS; DSS; DMSS
Mobile Client	iOS; Android
Certification	
Certifications	CE-LVD: EN62368-1 CE-EMC: Electromagnetic Compatibility Directive 2014/30/EU FCC: 47 CFR FCC Part 15, Subpart B

Power

Power Supply	12V DC/PoE (802.3af)
Power Consumption	Basic: 1.7 W (12V DC); 2.5W (PoE) Max. (ICR + H.265 + max. resolution + main stream + DWDR + IR intensity): 3.7 W (12V DC); 4.5 W (PoE)

Environment

Operating Temperature	-40 °C to +60 °C (-40 °F to +140 °F)
Operating Humidity	≤ 95%
Storage Temperature	-40 °C to +60 °C (-40 °F to +140 °F)
Protection	IP67

Structure

Casing	Metal
Product Dimensions	85.6 mm × Φ94.0 mm (3.4" × Φ3.7")
Net Weight	0.32 kg (0.71 lb)
Gross Weight	0.43 kg (0.95 lb)

Ordering Information

Type	Model	Description
5MP Camera	DH-IPC-HDW1530T-S6	5MP Entry IR Fixed-focal Eyeball Network Camera
Accessories (optional)	PFA13A-E	Junction Box
	PFA130-E	IP66 Junction Box
	PFB204W	Wall Mount Bracket
	PFA152-E	Pole Mount Bracket

Accessories

Optional:



PFA13A-E
Junction Box



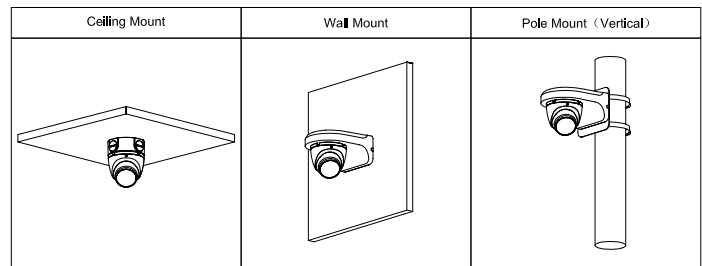
PFA130-E
IP66 Junction Box



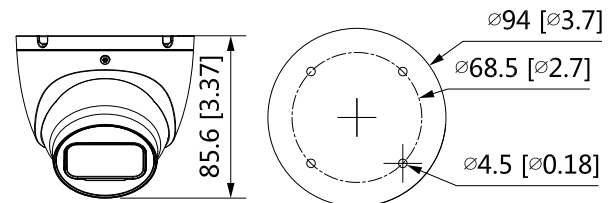
PFB204W
Wall Mount Bracket



PFA152-E
Pole Mount Bracket



Dimensions (mm[inch])



DH-PFM350-360

600VA/360W Line-interactive UPS



Features

- Wide input voltage range: AC81~145V or AC140~290V, meet the requirements in different parts for electric network fluctuation.
- Boost and buck AVR for voltage stabilization.
- Off-mode charging, cold start function and full protection.
- Continuous power supply for preventing data loss.
- Compact size.

Technical Specifications

Model	DH-PFM350-360				
Plug type	European	British	Australian	Indian	North American
Capacity	600VA/360W				
Input					
Rated voltage	220Vac~240Vac			110Vac~120Vac	
Voltage range	140Vac~290Vac			81Vac~145Vac	
Rated frequency range	50Hz or 60Hz				
Power factor	0.6				
Output					
Voltage	220/230/240 VAC			110/120 VAC	
AC Voltage Regulation (Batt. Mode)	±10%				
Frequency Range (Batt. Mode)	50Hz or 60Hz ±1Hz				
Transfer Time	2-6ms				
Waveform (Batt. Mode)	Simulated sinewave				
Battery					
Battery type & number	12 V/7 Ah x 1				
Typical recharge time	4 hours recover to 90% capacity				
Charging voltage	13.7V±1%				
Indicators					
Battery mode	Green lighting				
AC mode	Green lighting				
Alarm					
Battery mode	Sounding every 10 seconds				
Low battery	Sounding every second				
Overload	Sounding every 0.5 second				
Fault	Continuously sounding				
Protection					
Full protection	Overload, discharge and overcharge protection				
Environmental					
Operating temperature	0°C ~ +40°C (+32°F ~ +104°F)				
Operating humidity	0~90% RH(non-condensing)				
Altitude range	<1000m(3280.84ft)				
Construction					
Color	Black				
Noise level	<40dB				
Dimensions	279mmx101mmx142mm(10.98"x3.98"x5.59")				
Weight	4.25kg(9.37lb)				

Order Information

Type	Part Number	Description
Power Series	DH-PFM350-360	Uninterruptible Power Supply(UPS) _Dahua brand, Line-interactive
	DH-PFM350-900	Uninterruptible Power Supply(UPS) _Dahua brand, Line-interactive
	DH-PFM351-900	Uninterruptible Power Supply(UPS) _Dahua brand, Smart online

Package Information

- Uninterruptible Power Supply(UPS) DH-PFM350-360 *1
- Installation Instruction *1

DH-PFS3010-8ET-65

10-Port Fast Ethernet Switch with 8-Port PoE



- Support eight 10/100M PoE power supply ports, and two 10/100M uplink ports
- Support 802.3af and 802.3at standards
- Operating Temperature: -10°C to +55°C
- Support 250 m long distance PoE transmission
- Support PoE watchdog



The 8-Port PoE switch with 10/100 Mbps is cost-effective and accessible. It supports scenarios with 1 to 8 access points and is widely used in security monitoring network, such as supermarkets, hospitals and stations.

System Overview

Support eight 10/100M PoE power supply ports and two 10/100M uplink ports. The power consumption of full load is 65W.

Functions

Various Port

8 PoE ports with 10/100 Mbps Base-TX
2 uplink ports with 10/100Mbps Base-TX

Long Distance Power Transmission

Adopt DIP switch with bandwidth limit (100Mbps/10Mbps). After speed limitation, it supports 250 m long distance PoE transmission.

PoE Watchdog

Adopt the PoE watchdog function to avoid manually maintenance and device restart, which can realize the intelligent management and reduce the cost.

Technical Specification

Hardware

Data Transmission Port	8 PoE ports with 10/100 Mbps Base-TX 2 uplink ports with 10/100Mbps Base-TX
Power Supply	AC100-AC240V
Operating Temperature	-10°C to +55°C (-14°F-131°F)
Operating Humidity	10%-90%
Power Consumption	Idling: 1.0W Full load: 65W

PoE

PoE Budget	Port1-8 ≤30W, whole PoE budget ≤65W
PoE Standard	IEEE802.3af, IEEE802.3at
PoE Pin Assignment	PoE: 1, 2, 4, 5(V+), 3, 6, 7, 8(V-)

Performance

Switching Capacity	2.0 Gbps
Packet Forwarding Rate	1.49 Mpps
MAC Table Size	2 K
Jumbo Frame	2048 byte
Communication Standard	IEEE 802.3, IEEE 802.3u, IEEE 802.3X

Performance

ESD	Air discharge: 8kV Contact discharge: 6kV
Thunderproof	Common mode: 6kV Differential mode: 4kV
Net Weight	0.76 kg (1.68 lb)
Gross Weight	1.3 kg (2.87 lb)
Product Dimensions (W × L × H)	242.5 mm × 122.9 mm × 35.0 mm (9.55" × 4.84" × 1.38")
Packaging Dimensions (W × L × H)	Packing box: 303 mm × 262 mm × 72 mm (11.92" × 10.31" × 2.83") Protective box: 549 mm × 325 mm × 397 mm (21.61" × 12.80" × 15.63")
Package	10 devices in one package
Certifications	CE: EN60950; FCC

DH-PFS4226-24ET-240

24-port 100 Mbps + 2-port Gigabit Managed PoE Switch

PoE 2.0



* The parameters and datasheets below can only be applied to V2.0 & V3.0

- Intelligent PoE
- Red port supports 90W IEEE802.3bt
- Web management with friendly interface and easy operation
- 250 m long distance PoE transmission
- PoE watchdog
- Plug and play



System Overview

DH-PFS4226-24ET-240 is a type of layer-two managed PoE switch. It provides 24 100 Mbps PoE ports and 2 gigabit uplink combo ports. The full load is 240W.

With all metal design, the product has good heat dissipation and low power consumption, which can work in environments from -10°C to $+55^{\circ}\text{C}$.

The product owns powerful network management functions. Network management system supports CLI, iLinksView, web and network management software based on SNMP.

Functions

Uplink Combo Port

Two of the uplink ports support a self-adaptive 10/100/1000 Mbps RJ-45 port or a 1000 Mbps optical port.

Intelligent PoE

The switch features intelligent PoE power consumption management to help keep the power and data flowing, even when the switch experiences a power fault. Intelligent PoE monitors the power consumption of the connected devices, and in the event of large power fluctuations, the switch shuts down one port at a time rather than shutting down all ports. Unlike typical switches that shut down all ports as once, this switch shuts down the highest number port first, then the next highest number until the switch detects the power consumption is below the PoE budget. Green PoE can power on and power off according to time strategy. It can also realize PoE legacy support.

BT 90W

The red port supports the IEEE802.3bt and the Hi-PoE standards. The maximum power consumption is 90W.

PoE Watchdog

The switch employs an innovative PoE watchdog function that automatically detects a network port failure and restarts network communication on the port. This functionality avoids manual maintenance and network restarts, saving time and reducing costs.

Long Distance PoE

Long-distance PoE transmission extends the maximum transmission distance to 250 m (from 100 m), but reduces transmission speed to a maximum of 10 Mbps (from 1000 Mbps).

Various Operating Environments

The switch is designed to operate in severe environments and in temperatures ranging from -10°C to $+55^{\circ}\text{C}$ (14°F to 131°F). The switch includes a professional-grade surge protection circuit that offers 4 kV (common mode) and 2 kV (differential mode) all-port lightning protection. This protection reduces damage to the network from a lightning storm. The switch meets the Class B EMC standard and is suitable for residential, commercial, and light-industrial applications.

Scene

Applicable to small and micro-scale monitoring networks such as office desktops, schools, hotels, supermarkets and hospitals.

Technical Specification

Performance

Layer	Layer 2
Managed	Yes
Switching Capacity	8.8 Gbps
Packet Forwarding Rate	6.55 Mpps
Packet Buffer Memory	2.75 Mbit
MAC Table Size	4K
Communication Standard	IEEE802.3; IEEE802.3u; IEEE802.3x; IEEE 802.3ab; IEEE 802.3z

Hardware Feature

Standard Power Supply	Yes
PoE	Yes
Ethernet Port	24
Optical Port	2
Ethernet Port Rate	100 Mbps
Optical Port Rate	1 Gbps
Number of Bussiness Card Slots	Port 1-24: 24 × RJ-45 10 M/100 M (PoE) Port 25-26: 2 × RJ-45 10 M/100 M/1000 M (uplink) Port 25-26: 2 × SFP 1000 M (uplink) (combo)
Debugging	Console × 1
Power Supply	100V–240V AC
Operating Temperature	-10 °C to +55 ° (14 °F to 131 °F)
Operating Humidity	10% RH–90% RH
Power Consumption	Idling: 10W Full load: 240W

PoE

PoE Standard	IEEE802.3af/ IEEE802.3at/ Hi-PoE/IEEE802.3bt
PoE Budget	Port 1-2 ≤ 90W, Port 3-24 ≤ 30W, total ≤ 240W
PoE Pin Assignment	1, 2, 4, 5 (V+), 3, 6, 7, 8 (V-)
PoE Management	Power consumption management Power on and power off Power down for overload Green PoE Legacy support
Long Distance PoE Transmission	250 m long-distance power supply

Function

Spanning Tree Protocol	IEEE 802.1d (STP); 802.1w (RSTP)
VLAN	IEEE802.1q Standard VLAN
Flow Control	Support IEEE 802.3x (full duplex flow control) and back pressure flow control (half duplex)
Link Aggregation	Static; LACP
Port Mirroring	One-to-one; multiple-to-one

Multicast	GMP snooping based on port
DHCP	DHCP client
Security	Hardware supports IP and MAC binding based on port, MAC filtering based on port, and IEEE802.1x port authentication
QoS	High and low priority WRR 802.1P DSCP Priority based on protocol

General

ESD	Air discharge: 8kV Contact discharge: 6kV
Thunder-proof	Common mode: 4kV Differential mode: 2kV
Dimensions	440 mm × 300 mm × 44 mm (17.32" × 11.81" × 1.73") (L × W × H)
Packaging Dimensions	Packing box: 527 mm × 412 mm × 110 mm (20.75" × 16.22" × 4.33") (L × W × H) Protective box: 584 mm × 549 mm × 446 mm (22.99" × 21.61" × 17.56") (L × W × H)

Transmission Performance:

Switch power supply voltage 53V.
CAT5E/CAT6. Max. DC resistance < 10Ω/100m

Cable(m)	Load Capacity(W)	Bandwidth(Mbps)
IEEE802.3bt 90W		
100	71.3	100
150	62	10
200	51	10
250	40	10

Hi-PoE 60W

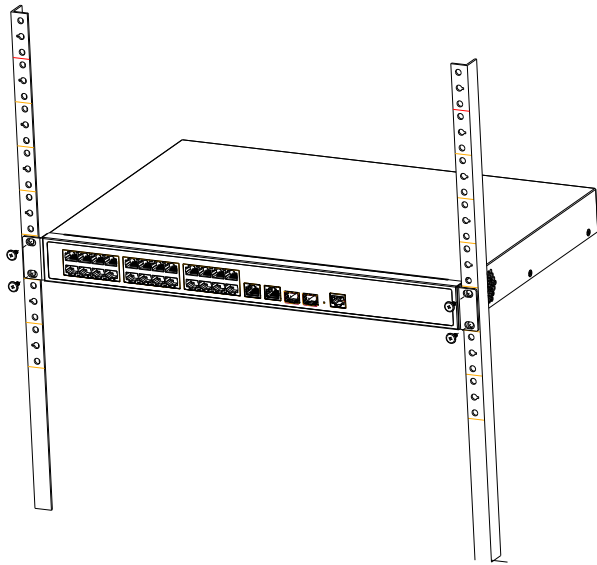
100	53	100
150	50	10
200	47	10
250	37	10

IEEE802.3at 30W

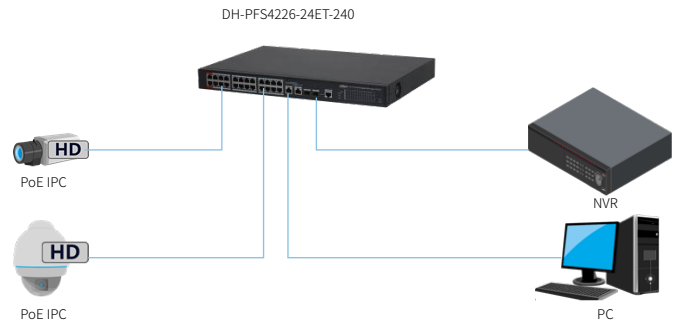
100	25.5	100
150	25.5	10
200	25.5	10
250	25.5	10

Note: Data from this table was collected by Dahua test lab and is for reference only . If there is inconsistency between field application and the table, the field result shall prevail.

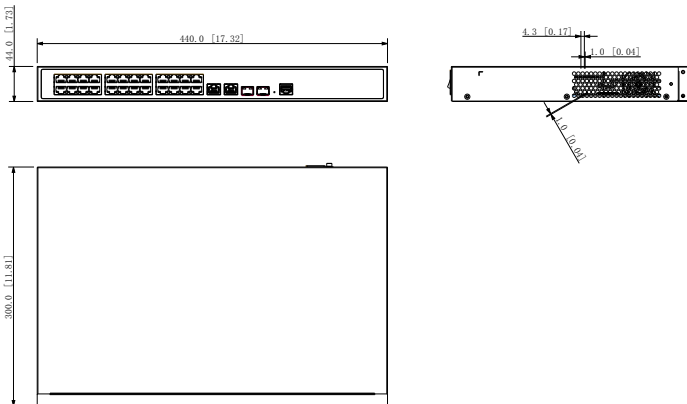
Installation



Application



Dimensions (mm[inch])



DHI-NVR608-32-4KS2

32 Channel 2U 8HDDs Ultra series Network Video Recorder



Series Overview

Dahua's next generation network video recorder offers unparalleled recording technology for IP video surveillance applications. For applications where details are critical for identification, this enterprise-level NVR provides a powerful Intel processor with up to 4K resolution. Additionally, the NVR features a mouse shortcut operation menu, remote management and control, centre storage, edge storage, and back up storage.

This NVR is ideal for a wide range of applications such as public safety, transportation stations, government institutions, hotel resorts, shopping malls, city centers, and financial institutions, where demand expansion flexibility, high reliability and centralized storage management.

The NVR is compatible with numerous third-party devices making it the perfect solution for surveillance systems with or without a video management system (VMS). Its open architecture supports multi-user access and is compatible with ONVIF.

Functions

Perimeter Protection by Camera

Automatically filtering out false alarms caused by animals, rustling leaves, bright lights, etc. Enables system to act secondary recognition for the targets. Improving alarm accuracy.

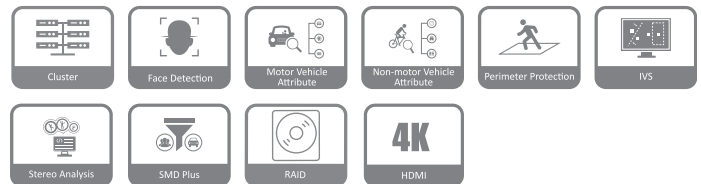
SMD Plus by Camera

With intelligent algorithm, Dahua Smart Motion Detection technology can categorize the targets that trigger motion detection and filter the motion detection alarm triggered by non-concerned targets to realize effective and accurate alarm.

Video Metadata by Camera

With deep learning algorithm, Dahua Video Metadata technology can detect, track, capture vehicle, non-motor vehicle and people, and select the best images, and extract attributes.

- New 4.0 user interface
- 16-channel decoding@1080p (30 fps); self-adaptive decoding capability
- Access, storage or forwarding at 384 Mbps
- Simultaneous video output for VGA and HDMI1; 4K heterogeneous output for the 2 HDMI ports
- Multiple data mode such as Raid0, Raid1, Raid5, Raid6, and Raid10
- Remote configuration and management of IPCs, such as setting parameters, acquiring information and upgrading IPCs of the same model in batches
- AI-by-camera functions such as perimeter protection, face detection and recognition, SMD Plus, video metadata, ANPR and 3D behavior analysis
- N+M cluster. When the host fails, the standby device will continue to record; once the host recovers, video recorded on the standby device will be transmitted back



ANPR by Camera

With deep learning algorithm, Dahua ANPR technology can recognize the number plate information of vehicles in the image with ANPR cameras. Support block/allowlist mode, searching target vehicles from recorded video.

Stereo Analysis by Camera

With deep learning algorithm and scene 3-dimensional information, Dahua Stereo Analysis technology can recognize people's behaviors, such as fall detection, violence detection, strand detection, and space exception, and then generates alarm signals and triggers linkage.

N+M Hot Standby

The highly reliable redundancy N+M Hot Standby design provides a secure, failover technique ensuring immediate backup. In the event of a system failure, the sub instantly takes over the main ensuring no data is lost.

RAID

Support RAID 0, RAID 1, RAID 5, RAID 6, RAID 10 (optional). It can improve your storage speed, while ensuring data security.

Technical Specification

System

Main Processor	Industrial embedded micro-processor
Operating System	Embedded Linux
Operation Interface	Web/local GUI

Perimeter Protection

Performance	24 channels
AI Search	Search pictures by channel, time, event type

Face Detection By Camera

Performance	24 channels
Face Attributes	6 attributes: Gender, age, glasses, expression, mouth mask, and beard
AI Search	Search pictures by channel, time and face attributes

SMD Plus By Camera

Performance	32 channels
AI Search	Search by target classification (Human, Vehicle)

Video Metadata By Camera

Performance	12 channels
Human Body	Top, top color, bottom, bottom color, hat, bag, gender, age, umbrella
Vehicle	Plate No., type, color, vehicle type, logo, plate color, ornament, calling, seatbelt, region
Non-motor Vehicle	Type, color, number of passengers, helmet
AI Search	Support search target video by metadata

ANPR By Camera

Performance	8 channels
-------------	------------

Stereo Analysis by Camera

Performance	32 channels
AI Search	Search by target classification (Fall Detection, People Approach Detection, People No. Exception Detection, People Staying Detection, Violence Detection)

Video

Access Channel	32
Network Bandwidth	384 Mbps for access, 384 Mbps for storage and 384 Mbps for forwarding
Resolution	12 MP/8 MP/6 MP/5 MP/4 MP/3 MP/1080p/960p/720p/D1/CIF/QCIF
Decoding Capability	16-ch@1080p (30 fps)
Video Output	VGA: 1920 × 1080, 1280 × 1024, 1280 × 720 HDMI1/HDMI2: 3840 × 2160@30 fps, 3840 × 2160@25fps, 1920 × 1080, 1280 × 1024, 1280 × 720 1 channel VGA output, 2 channels HDMI output, VGA and HDMI 1 homologous output, double HDMI heterogeneous output. Support 4K display for both HDMI1 and HDMI2
Multi-screen Display	1st Screen: 1/4/8/9/16/25/36
	2nd Screen: 1/4/8/9/16

Third Party Camera Access	Panasonic, Sony, Samsung, Axis, Pelco, Arecont, Onvif, Canon and more
---------------------------	---

Compression

Video	Smart H.265+/H.265/Smart H.264+/H.264/MPEG4/MJPEG
Audio	MP2/G726/G729/G722/G723/G711A/G711U/PCM

Network

Network Protocol	HTTP, HTTPS, TCP/IP, IPv4/IPv6, UPnP, SNMP, RTSP, UDP, SMTP, NTP, DHCP, DNS, IP Filter, PPPoE, DDNS, FTP, Alarm Server, IP Search (Support Dahua IP camera, DVR, NVS, etc.), P2P, iSCSI
Mobile Phone Access	iOS, Android
Interoperability	ONVIF (profile T/S/G), CGI, SDK
Browser	Chrome, IE9 or later, Firefox

Record Playback

Multi-channel Playback	1/4/9/16
Record Mode	Manual, Schedule (General, MD (Motion Detection), Alarm, MD & Alarm, Intelligent, POS)
Storage Method	Local HDD and network
Backup	Hard drive, USB device, eSATA device
Playback Function	1. Play, pause, stop, fast forward, fast backward, rewind, play by frame 2. Full screen, backup (cut/file), partially enlarge, audio on/off

Storage

Disk Group	Support
Raid Support	RAID 0/1/5/6/10

Alarm

General Alarm	Motion detection, privacy masking, video loss, local alarm, PIR alarm, IPC alarm
Anomaly Alarm	Camera offline, storage error, full storage, IP conflict, MAC conflict, login lock, network security anomaly
Intelligent Alarm	Perimeter protection, face detection, face recognition, SMD, video metadata (human, motor-vehicle, non-motor vehicle), ANPR, people counting, stereo analysis, crowd distribution, heatmap, video quality diagnosis
Alarm Linkage	Record, snapshot, IPC external alarm output, buzzer, log, preset, email

External Port

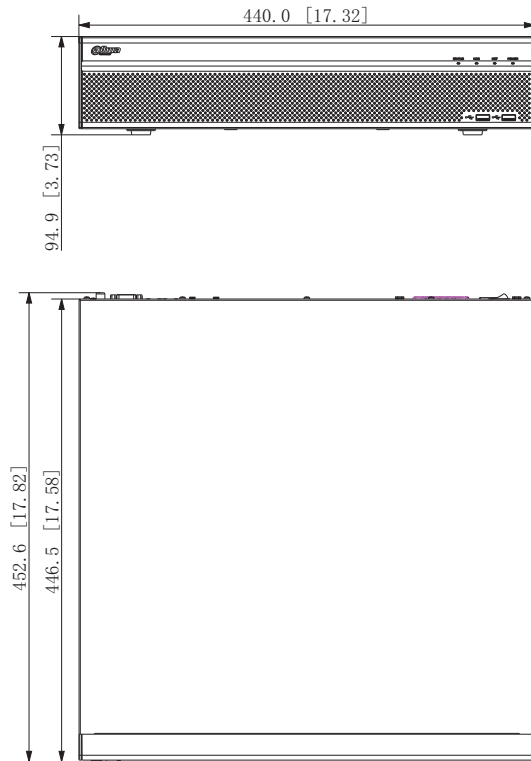
Audio Input	1 channel, RCA connector
Audio Output	1 channel, RCA connector
HDD	8 SATA III ports, up to 10 TB for a single HDD. The maximum HDD capacity varies with environment temperature.
Alarm Input	16 channels
Alarm Output	8 channels
eSATA	1 eSATA

RS-232	1 channel, used to debug and pass through serial data
RS-485	1 channel, used to control PTZ, and it supports multiple protocols
USB	2 front USB 2.0 ports, 2 rear USB 3.0 ports
Network	2 RJ-45 10/100/1000 Mbps self-adaptive Ethernet ports

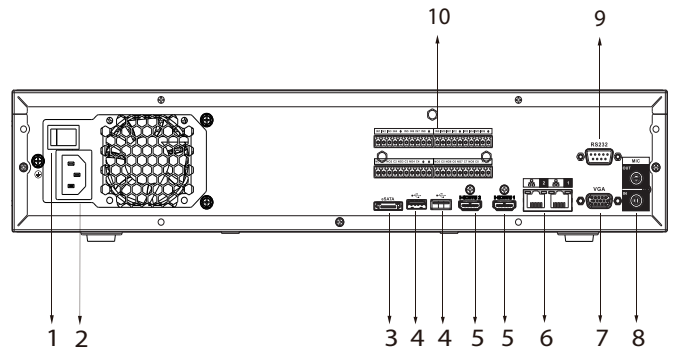
General Parameter

Power Supply	Single, AC100V–240V, 50–60 Hz
Power Consumption	< 20 W (Without HDD)
Net Weight	9 kg (19.8 lb) (Without HDD)
Gross Weight	10.5 kg (23.1 lb) (Without HDD)
Product Dimensions	440 mm × 452.6 mm × 94.9 mm (W × L × H) 17.32 inch × 17.82 inch × 3.73 inch (W × L × H)
Package Dimensions	571 mm × 571 mm × 225 mm (W × L × H) 22.48 inch × 22.48 inch × 8.86 inch (W × L × H)
Operating Conditions	–10°C to +55°C (+14°F to +131°F), +35°C (+95°F) when raid enabled
Storage Conditions	0°C to +40°C (+32°F to +104°F)
Operating Humidity	10%–93% (RH)
Storage Humidity	30%–85% (RH)
Operating Altitude	3000 m (9843 ft)
Certifications	CE: EN55022, EN55024, EN50130-4, EN60950-1 FCC: Part 15 Subpart B, ANSI C63.4-2014 UL: UL 60950-1 and CAN/CSA C22.2 No.60950-1

Dimensions (mm[inch])



Panels



- | | |
|----------------|-------------------------------|
| 1 Power Switch | 2 Power Input |
| 3 eSATA Port | 4 USB Ports |
| 5 HDMI Ports | 6 Network Ports |
| 7 VGA Port | 8 AUDIO IN/OUT, RCA Connector |
| 9 RS-232 Port | 10 Alarm In/Out |

Ordering Information

Type	Model	Description
32 Channel NVR	DHI-NVR608-32-4KS2	32 Channel Ultra Series 4K H.265 Network Video Recorder
Accessories	ESS1504C	4 HDDs eSATA Storage (Please confirm with Technical Support for HDD capacity & compatibility)

Accessories



ESS1504C
4 HDDs eSATA Storage (Please confirm with Technical Support for HDD capacity & compatibility)



TS1000 Pro Series

TS1000 Pro Tripod Turnstile

TS1011 Pro Tripod Turnstile

(w/ controller and RFID reader)

TS1022 Pro Tripod Turnstile

(w/ controller and combination of fingerprint & RFID reader)

Our Pro series tripod turnstiles represent classic and safe way to protect your premises. They are widely used in various indoor environment applications. They fit perfectly as an economical option into the office buildings and other related applications.



Access Control System



Fingerprint Recognition



Drop-arm



Bi-directional



Mechanical Unlocking

Features

- SUS304 stainless steel housing
- Bi-directional tripod turnstile with arm drop function
- LED pictograms for intuitive user experience and high throughput in both directions
- High quality at an affordable price
- Low power consumption
- Wide range of accessories
- Easy and simple installation process
- Easy to maintain and monitor

Specifications

Power Requirements		AC 100V to 120V or 200V to 240V, 50/60Hz
Power Consumption	Running	18W
	Standby	6W
Working Temperature		-28°C to 60°C
Working Humidity		5% to 80% (Non-condensing)
Working Environment		Indoor/Outdoor (if sheltered)
Speed of Throughput	RFID	Maximum 30/minute
	Fingerprint	Maximum 25/minute
Lane Width (mm)		500
Footprint (mm*mm)		520*810
Dimension (L*W*H)		520*310*1010 (mm)
Dimension with Packing (L*W*H)		570*365*1080 (mm)
Net Weight (kg)		36
Weight with Packing (kg)		50
LED Indicator		Supports
Cabinet Material		SUS304 Stainless Steel
Lid Material		SUS304 Stainless Steel
Barrier Material		SUS304 Stainless Steel
Barrier Movement		Rotation
Emergency Mode		Supports
Security Level		Medium
Mean Cycles Between Failure (MCBF)		1 million
Options/Accessories		Counter, SUS316 Cabinet and Lid, Remote Control
Warranty		1 year

Dimensions (mm)

