

Corpuri de iluminat LED cu destinație specială - IM REI „Lumteh”



Professional streetlight luminaire for LED light sources.

TECHNICAL DATA

Mounting: on pillar $\varnothing 60/40\text{mm}$, $\varnothing 76\text{mm}$ (modification .829),
on outriggers $\varnothing 60/40\text{mm}$, $\varnothing 76\text{mm}$ (modification .829)

Body: high pressure die-cast aluminum

Lateral Surface Wind Exposed: 0.039 m^2 ; 0.045 m^2

Colour: gray

Diffuser: tempered glass

Power supply efficiency: $\leq 9.3\%$

ELECTRICAL DATA

Power: 170-264V 50/60Hz

Includes light source: yes

Type of equipment: ED

Electrical connection: max $3 \times 2,5\text{ mm}^2$ wire

Way of lighting: direct

Type of optic: O16, O35, O37P, O60, O75

ULOR / DLOR: 0% / 100%

OPTICAL DATA**GENERAL DATA**

Lifetime LED (L90): 100 000 h

Available on request: DALI, DIM 1..10V, LLOC, twilight sensor, knife switch, NTC

Additional information: Tilt adjustment: -20° to $+145^\circ$ (bracket), CRI/Ra > 70 , 10kV surge protection, $\cos \phi > 0,9$, access to the driver chamber without the use of tools

Additional equipment: additional anti-corrosive protection (index extension: .985), luminaire with holder for mounting on a $\varnothing 76\text{mm}$ pillar (index extension: .829), luminaire with motion detector (index extension: .862)

Other remarks: the pole and boom are not part of the luminaire

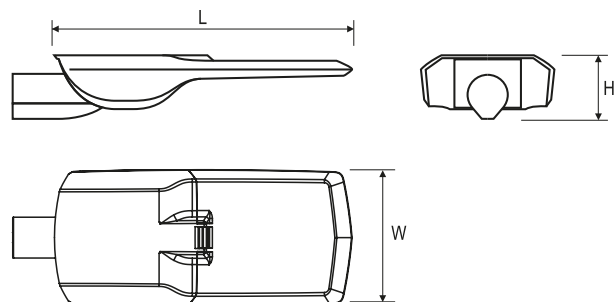
Warranty: 5 years

Application: express roads, local roads, town roads, residential area roads, pedestrian crossings, area lighting, avenues, promenade, cycle paths, public spaces, parking areas



Code	Type of optics	Luminaire power [W]	Lumen luminaire [lm]	Efficacy [lm/W]	Colour temperature [K]	CRI/Ra	Protection class	Operating temperature range [°C]
130222.5L101.991.001	O60	58	8600	148	4000	> 70	I	$-40 \dots +45$
130222.5L781.991.001	O35	102	14300	140	4000	> 70	I	$-40 \dots +45$
130222.6L901.991.001	O16	125	18500	148	4000	> 70	I	$-40 \dots +45$
130222.5L631.511.002	O75	185	29000	157	4000	> 70	I	$-40 \dots +45$
130222.5L631.511.001	O75	203	30050	148	4000	> 70	I	$-40 \dots +45$
130222.5L781.161.001	O37P	93	14400	155	4000	> 70	I	$-40 \dots +45$

Code	Dimensions [mm]		Quantity in package	Net weight [kg]
	L	W H		
130222.5L101.991.001	550	250 100	1	6,8
130222.5L781.991.001	550	250 100	1	6,8
130222.6L901.991.001	550	250 100	1	6,8
130222.5L631.511.002	670	320 105	1	10,3
130222.5L631.511.001	670	320 105	1	10,3
130222.5L781.161.001	550	250 100	1	6,8



Please note that the standard luminaire is not intended for use in an environment with an increased corrosivity category. The use of the luminaire for work in an environment for which additional corrosion protection is necessary requires the use of an index with the extension .985 (on request).

In order to apply the luminaire in an aggressive environment, for example with an increased concentration of sulfur, salt or other aggressive substances, a consultation with the LUG Technical Preparation of Production Branch is required.

Luminous flux tolerance $\pm 10\%$.

Power tolerance $\pm 5\%$.

Lighting beam, light intensity distribution and light efficiency were examined in accordance with the EN ISO 17025:2005 norm for EN13032 norm series and the LM-79 norm.

Up-to-date product info and General Warranty Terms available on our website www.luglightfactory.com

Detailed information on luminous fluxes and powers for individual indexes are indicated on the product data sheet.

The parameters in the data sheet are given for $T_a = 25^\circ\text{C}$.

The operating temperature ranges apply only to luminaires used in the outdoor environment.

Colour temperature tolerance $\pm 5\%$.

Changing the power supply model* does not affect the luminous flux behaviour tolerance ($\pm 10\%$) and luminaire power consumption $\pm 5\%$. (*with the same current settings)

Corpuri de iluminat LED cu destinaþe speciale - IM REI „Lumteh”

OTHER PICTURE



URBINO LED PLUS



URBINO LED PLUS



Luminaire with tool-free access to the power supply chamber (on request)

Luminaire with holder for mounting on a $\varnothing 76$ mm pillar (on request)

$\varnothing 60$ adjustable bracket with an adjustment range of -20° to $+145^\circ$ (index extension: .867)

$\varnothing 60$ adjustable bracket with an adjustment range of -20° to $+145^\circ$ (index extension: .867)

ACCESSORIES



□ 150170.00818
■ 150173.00906

Wall bracket $\varnothing 60$ mm



■ 150175.01106
□ 150172.01096

Rear-side louvers for URBINO LED luminaires



■ 150175.01107
□ 150172.01097

Side louvers for URBINO LED luminaires

Please note that the standard luminaire is not intended for use in an environment with an increased corrosivity category. The use of the luminaire for work in an environment for which additional corrosion protection is necessary requires the use of an index with the extension .985 (on request).

In order to apply the luminaire in an aggressive environment, for example with an increased concentration of sulfur, salt or other aggressive substances, a consultation with the LUG Technical Preparation of Production Branch is required.

Luminous flux tolerance $\pm 10\%$.

Power tolerance $\pm 5\%$.

Lighting beam, light intensity distribution and light efficiency were examined in accordance with the EN ISO 17025:2005 norm for EN13032 norm series and the LM-79 norm.

Up-to-date product info and General Warranty Terms available on our website www.luglightfactory.com

Detailed information on luminous fluxes and powers for individual indexes are indicated on the product data sheet.

The parameters in the data sheet are given for $T_a=25^\circ\text{C}$.

The operating temperature ranges apply only to luminaires used in the outdoor environment.

Colour temperature tolerance $\pm 5\%$.

Changing the power supply model* does not affect the luminous flux behaviour tolerance ($\pm 10\%$) and luminaire power consumption $\pm 5\%$. (*with the same current settings)