

# System pro M compact® Miniature Circuit Breaker S 200 M UC for DC and AC applications



2CDC0021031S0011



2CDC0021033S0011

The miniature circuit breaker S 200 M UC extends the established ABB System pro M compact® product range with an MCB for DC and AC applications. The S 200 M UC impresses with its performance range and the accordingly large amount of approvals. Its high inbuilt short circuit breaking capacity across the entire model line, its flexible AC and DC application and its approval and compliance in accordance with all major international and local standards make it truly unique.

All current System pro M compact® accessories can be combined easily with the new model line. Whether warehousing or project engineering, planning, installing or maintaining your equipment, the S 200 M UC is a simple and flexible solution.

## Standards and approvals

### Standards

IEC/EN 60898-2  
IEC/EN 60947-2  
UL 1077  
CSA 22.2 No.235  
GB 10963.2 (on request)  
GB 14048.2 (on request)

### Approvals

|                 |                  |
|-----------------|------------------|
| VDE             | DE               |
| UL 1077         | US               |
| CSA 22.2 No.235 | CA               |
| CCC             | PRC              |
| GL              | DE               |
| BV              | FR               |
| LRS             | GB               |
| DNV             | NO               |
| RINA            | IT               |
| SABS            | SA (on request)  |
| CCS             | PRC (on request) |
| RMRS            | RU               |
| EAC             | RU               |
| GOST Fire       | RU               |
| IMQ             | IT               |
| KEMA            | NL               |

Power and productivity  
for a better world™



# Miniature Circuit Breaker S 200 M UC

## Technical data

| <b>General Data</b>                                        |                                                                                    |
|------------------------------------------------------------|------------------------------------------------------------------------------------|
| Standards                                                  | IEC/EN 60898-2, IEC/EN 60947-2, UL1077, CSA 22.2 No. 235                           |
| Poles                                                      | 1P, 2P, 3P, 4P                                                                     |
| Rated current $I_n$                                        | 0.2 - 63 A                                                                         |
| Rated frequency f                                          | 0/50/60 Hz                                                                         |
| Rated insulation voltage $U_i$                             | 253 V AC (phase to ground), 440 V AC (phase to phase)                              |
| Overvoltage Category                                       | III                                                                                |
| Pollution Degree                                           | 2                                                                                  |
| <b>IEC/EN 60898-2</b>                                      |                                                                                    |
| Tripping characteristics                                   | B, C                                                                               |
| Rated operational voltage $U_n$                            | 1P: 230 V AC, 220 V DC<br>2P: 400 V AC, 440 V DC<br>3...4P: 400 V AC*              |
| Max. power frequency recovery voltage $U_{max}$            | 1P: 253 V AC, 250 V DC<br>2P: 440 V AC, 500 V DC<br>3...4P: 440 V AC*              |
| Min. operating voltage                                     | 12 V AC – 12 V DC                                                                  |
| Rated short-circuit capacity $I_{cn}$                      | 10 kA                                                                              |
| Energy limiting class (B, C up to 40A)                     | 3                                                                                  |
| Rated impulse withstand voltage $U_{imp}$ (1.2/50 $\mu$ s) | 4 kV (test voltage 6.2 kV at sea level; 5 kV at 2,000 m)                           |
| Dielectric test voltage                                    | 2.0 kV (50/60 Hz, 1 min)                                                           |
| Reference temperature for tripping characteristics         | 30 °C                                                                              |
| Electrical endurance                                       | $I_n \leq 25$ A: 20,000 ops. (AC), $I_n > 25$ A: 10,000 ops. (AC); 1,000 ops. (DC) |
| <b>IEC/EN 60947-2</b>                                      |                                                                                    |
| Tripping Characteristics                                   | B, C, K, Z                                                                         |
| Rated operational voltage $U_e$                            | 1P: 253 V AC, 220 V DC<br>2...4P: 440 V AC, 440 V DC                               |
| Max. power frequency recovery voltage $U_{max}$            | 1P: 266 V AC, 250 V DC<br>2...4P: 462 V AC, 500 V DC                               |
| Min. operating voltage                                     | 12 V AC – 12 V DC                                                                  |
| Rated ultimate short-circuit breaking capacity $I_{cu}$    | $\leq 40$ A: 10 kA (AC); 10 kA (DC)<br>>40 A: 6 kA (AC); 10 kA (DC)                |
| Rated service short-circuit breaking capacity $I_{cs}$     | $\leq 40$ A: 7.5 kA (AC); 10 kA (DC)<br>>40 A: 6 kA (AC); 10 kA (DC)               |
| Rated impulse withstand voltage $U_{imp}$ (1.2/50 $\mu$ s) | 4 kV (test voltage 6.2 kV at sea level; 5 kV at 2,000 m)                           |
| Dielectric test voltage                                    | 2.0 kV (50/60 Hz, 1 min)                                                           |
| Reference temperature for tripping characteristics B, C    | 55 °C                                                                              |
| K, Z                                                       | 20 °C                                                                              |
| Electrical endurance                                       | $I_n \leq 25$ A: 20,000 ops. (AC), $I_n > 25$ A: 10,000 ops. (AC); 1,500 ops. (DC) |
| <b>UL1077 / CSA 22.2 No. 235</b>                           |                                                                                    |
| Tripping Characteristics                                   | C, K, Z                                                                            |
| Rated voltage                                              | 1P: 277 V AC, 250 V DC<br>2...4P: 480Y/277 V AC, 500 V DC                          |
| Rated interrupting capacity                                | 6 kA (AC); 10 kA (DC)                                                              |
| Application                                                | Suppl. prot., for general use. TC1, OL0, SC:U1                                     |
| Reference temperature for tripping characteristics         | 25 °C                                                                              |
| Electrical endurance                                       | 6,000 ops., 1 cycle (1s.-ON, 9s.-OFF)                                              |

\* only acc. to IEC/EN 60898-1

# Miniature Circuit Breaker S 200 M UC

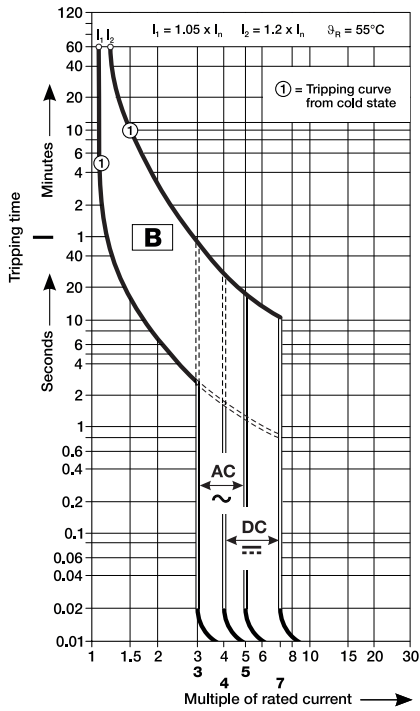
## Technical data

| <b>Mechanical data</b>                                                   |                                                                                                                                       |
|--------------------------------------------------------------------------|---------------------------------------------------------------------------------------------------------------------------------------|
| Housing                                                                  | Insulation group I, RAL 7035                                                                                                          |
| Toggle                                                                   | Insulation group II, black, sealable                                                                                                  |
| Contact position indication                                              | Real CPI (green OFF / red ON)                                                                                                         |
| Protection degree acc. to DIN EN 60529                                   | IP20, IP40 in enclosure with cover                                                                                                    |
| Mechanical endurance                                                     | 20,000 ops.                                                                                                                           |
| Shock resistance acc. to IEC/EN 60068-2-27                               | 25 g - 2 shocks - 13 ms                                                                                                               |
| Vibration resistance acc. to IEC/EN 60068-2-6                            | 5 g - 20 cycles at 5 ... 150 ... 5 Hz at 0.8 I <sub>n</sub>                                                                           |
| Environmental conditions (damp heat cyclic)<br>acc. to IEC/EN 60068-2-30 | 28 cycles with 55 °C/90-96 % and 25 °C/95-100 %                                                                                       |
| Ambient temperature                                                      | -25 ... +55 °C                                                                                                                        |
| Storage temperature                                                      | -40 ... +70 °C                                                                                                                        |
| <b>Installation</b>                                                      |                                                                                                                                       |
| Terminal                                                                 | Failsafe bi-directional cylinder-lift terminal                                                                                        |
| Cross-section of conductors (top/bottom)                                 | solid, stranded: 35 mm <sup>2</sup> / 35 mm <sup>2</sup><br>flexible: 25 mm <sup>2</sup> / 25 mm <sup>2</sup><br>14 – 4 AWG (Cu only) |
| Cross-section of busbars (top/bottom)                                    | 10 mm <sup>2</sup> / 10 mm <sup>2</sup><br>14 – 8 AWG                                                                                 |
| Torque                                                                   | IEC 2.8 Nm<br>UL 18 in-lbs.                                                                                                           |
| Screw driver                                                             | No. 2 Pozidriv                                                                                                                        |
| Mounting                                                                 | on DIN rail 35 mm, acc. to EN 60715 by fast clip                                                                                      |
| Mounting position                                                        | any                                                                                                                                   |
| Supply                                                                   | Please note polarity of device                                                                                                        |
| <b>Dimensions and weight</b>                                             |                                                                                                                                       |
| Mounting dimensions acc. to DIN 43880                                    | 1                                                                                                                                     |
| Pole dimensions (H x D x W)                                              | 85 x 69 x 17.5                                                                                                                        |
| Pole weight                                                              | approx. 125 g                                                                                                                         |
| <b>Combination with auxiliary elements</b>                               |                                                                                                                                       |
| Auxiliary contact                                                        | Yes                                                                                                                                   |
| Signal contact                                                           | Yes                                                                                                                                   |
| Shunt trip                                                               | Yes                                                                                                                                   |
| Undervoltage release                                                     | Yes                                                                                                                                   |
| Motor operating device                                                   | Yes                                                                                                                                   |

# Miniature Circuit Breaker S 200 M UC

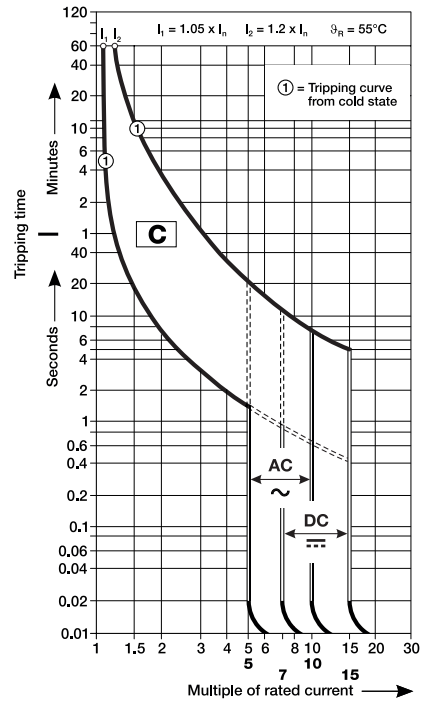
## Tripping characteristics

B characteristic



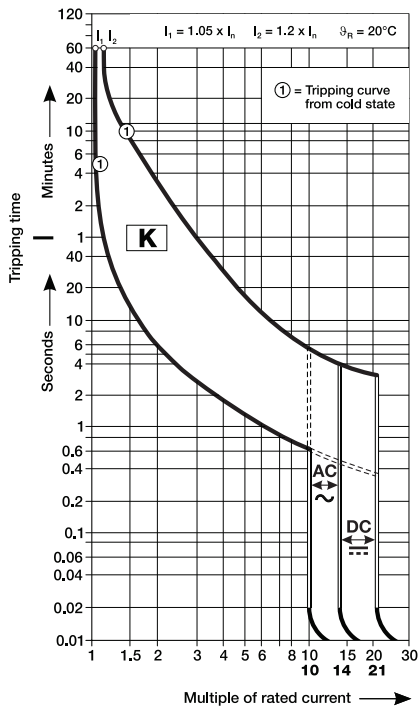
2CDC0022015F0214

C characteristic



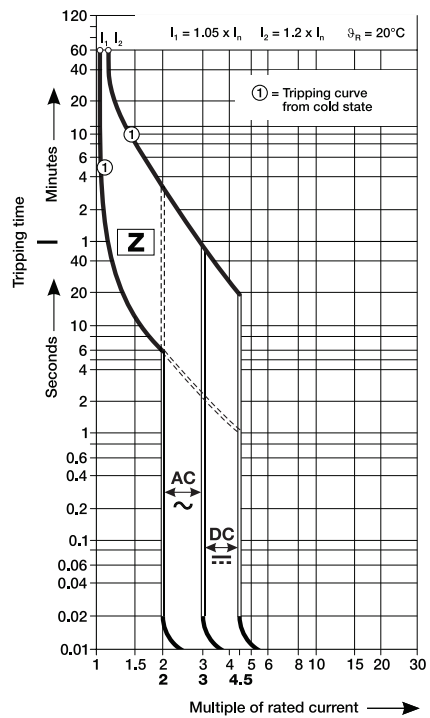
2CDC0022017F0214

K characteristic



2CDC0022010F0211

Z characteristic



2CDC0022060F0211

# Miniature Circuit Breaker S 200 M UC

## Derating

For installations of miniature circuit breakers at other temperatures than the reference value and installations of several miniature circuit breakers directly side by side, derating factors have to be considered.

### Deviating ambient temperature

The rated value of the current of a miniature circuit breaker refers to a temperature of 20 °C for circuit-breakers with characteristics K and Z and 30 °C for characteristics B and C. The following table contains the derating of load capability of S 200 M UC MCBs with temperature from -40 °C to 70 °C for the curves B, C, K, and Z.

| Tripping characteristics | Rated current $I_n$ | Maximum operating current at ambient temperature T |       |       |       |       |       |       |       |       |       |       |       |
|--------------------------|---------------------|----------------------------------------------------|-------|-------|-------|-------|-------|-------|-------|-------|-------|-------|-------|
|                          |                     | °C                                                 | - 40  | - 30  | - 20  | - 10  | 0     | 10    | 20    | 30    | 40    | 50    | 60    |
| B, C                     | 0.5                 | 0.61                                               | 0.59  | 0.58  | 0.56  | 0.55  | 0.53  | 0.52  | 0.50  | 0.49  | 0.47  | 0.46  | 0.44  |
|                          | 1.0                 | 1.21                                               | 1.18  | 1.15  | 1.12  | 1.09  | 1.06  | 1.03  | 1.00  | 0.97  | 0.94  | 0.91  | 0.88  |
|                          | 1.6                 | 1.94                                               | 1.89  | 1.84  | 1.79  | 1.74  | 1.70  | 1.65  | 1.60  | 1.55  | 1.50  | 1.46  | 1.41  |
|                          | 2.0                 | 2.42                                               | 2.36  | 2.30  | 2.24  | 2.18  | 2.12  | 2.06  | 2.00  | 1.94  | 1.88  | 1.82  | 1.76  |
|                          | 3.0                 | 3.63                                               | 3.54  | 3.45  | 3.36  | 3.27  | 3.18  | 3.09  | 3.00  | 2.91  | 2.82  | 2.73  | 2.64  |
|                          | 4.0                 | 4.84                                               | 4.72  | 4.60  | 4.48  | 4.36  | 4.24  | 4.12  | 4.00  | 3.88  | 3.76  | 3.64  | 3.52  |
|                          | 6.0                 | 7.26                                               | 7.08  | 6.90  | 6.72  | 6.54  | 6.36  | 6.18  | 6.00  | 5.82  | 5.64  | 5.46  | 5.28  |
|                          | 8.0                 | 9.68                                               | 9.44  | 9.20  | 8.96  | 8.72  | 8.48  | 8.24  | 8.00  | 7.76  | 7.52  | 7.28  | 7.04  |
|                          | 10.0                | 12.10                                              | 11.80 | 11.50 | 11.20 | 10.90 | 10.60 | 10.30 | 10.00 | 9.70  | 9.40  | 9.10  | 8.80  |
|                          | 13.0                | 15.70                                              | 15.30 | 15.00 | 14.60 | 14.20 | 13.80 | 13.40 | 13.00 | 12.60 | 12.20 | 11.80 | 11.40 |
|                          | 16.0                | 19.40                                              | 18.90 | 18.40 | 17.90 | 17.40 | 17.00 | 16.50 | 16.00 | 15.50 | 15.00 | 14.60 | 14.10 |
|                          | 20.0                | 24.20                                              | 23.60 | 23.00 | 22.40 | 21.80 | 21.20 | 20.60 | 20.00 | 19.40 | 18.80 | 18.20 | 17.60 |
|                          | 25.0                | 30.30                                              | 29.50 | 28.80 | 28.00 | 27.30 | 26.50 | 25.80 | 25.00 | 24.30 | 23.50 | 22.80 | 22.00 |
|                          | 32.0                | 38.70                                              | 37.80 | 36.80 | 35.80 | 34.90 | 33.90 | 33.00 | 32.00 | 31.00 | 30.10 | 29.10 | 28.20 |
|                          | 40.0                | 48.40                                              | 47.20 | 46.00 | 44.80 | 43.60 | 42.40 | 41.20 | 40.00 | 38.80 | 37.60 | 36.40 | 35.20 |
| 50.0                     | 60.50               | 59.00                                              | 57.50 | 56.00 | 54.50 | 53.00 | 51.50 | 50.00 | 48.50 | 47.00 | 45.50 | 44.00 |       |
| 63.0                     | 76.20               | 74.30                                              | 72.50 | 70.60 | 68.70 | 66.80 | 64.90 | 63.00 | 61.10 | 59.20 | 57.30 | 55.40 |       |
| K, Z                     | 0.5                 | 0.59                                               | 0.58  | 0.56  | 0.55  | 0.53  | 0.52  | 0.50  | 0.49  | 0.47  | 0.46  | 0.45  | 0.44  |
|                          | 1.0                 | 1.18                                               | 1.15  | 1.12  | 1.09  | 1.06  | 1.03  | 1.00  | 0.97  | 0.94  | 0.91  | 0.88  | 0.85  |
|                          | 1.6                 | 1.89                                               | 1.84  | 1.79  | 1.74  | 1.7   | 1.65  | 1.60  | 1.55  | 1.50  | 1.46  | 1.42  | 1.38  |
|                          | 2.0                 | 2.36                                               | 2.3   | 2.24  | 2.18  | 2.12  | 2.06  | 2.00  | 1.94  | 1.88  | 1.82  | 1.77  | 1.72  |
|                          | 3.0                 | 3.54                                               | 3.45  | 3.36  | 3.27  | 3.18  | 3.09  | 3.00  | 2.91  | 2.82  | 2.73  | 2.65  | 2.57  |
|                          | 4.0                 | 4.72                                               | 4.60  | 4.48  | 4.36  | 4.24  | 4.12  | 4.00  | 3.88  | 3.76  | 3.64  | 3.53  | 3.42  |
|                          | 6.0                 | 7.08                                               | 6.90  | 6.72  | 6.54  | 6.36  | 6.18  | 6.00  | 5.82  | 5.64  | 5.46  | 5.30  | 5.14  |
|                          | 8.0                 | 9.44                                               | 9.20  | 8.96  | 8.72  | 8.48  | 8.24  | 8.00  | 7.76  | 7.52  | 7.28  | 7.06  | 6.85  |
|                          | 10.0                | 11.80                                              | 11.50 | 11.20 | 10.90 | 10.60 | 10.30 | 10.00 | 9.70  | 9.40  | 9.10  | 8.83  | 8.57  |
|                          | 13.0                | 15.30                                              | 15.00 | 14.60 | 14.20 | 13.80 | 13.40 | 13.00 | 12.60 | 12.20 | 11.80 | 11.45 | 11.11 |
|                          | 16.0                | 18.90                                              | 18.40 | 17.90 | 17.40 | 17.00 | 16.50 | 16.00 | 15.50 | 15.00 | 14.60 | 14.16 | 13.74 |
|                          | 20.0                | 23.60                                              | 23.00 | 22.40 | 21.80 | 21.20 | 20.60 | 20.00 | 19.40 | 18.80 | 18.20 | 17.65 | 17.12 |
|                          | 25.0                | 29.50                                              | 28.80 | 28.00 | 27.30 | 26.50 | 25.80 | 25.00 | 24.30 | 23.50 | 22.80 | 22.12 | 21.46 |
|                          | 32.0                | 37.80                                              | 36.80 | 35.80 | 34.90 | 33.90 | 33.00 | 32.00 | 31.00 | 30.10 | 29.10 | 28.23 | 27.38 |
|                          | 40.0                | 47.20                                              | 46.00 | 44.80 | 43.60 | 42.40 | 41.20 | 40.00 | 38.80 | 37.60 | 36.40 | 35.31 | 34.25 |
| 50.0                     | 59.00               | 57.50                                              | 56.00 | 54.50 | 53.00 | 51.50 | 50.00 | 48.50 | 47.00 | 45.50 | 44.14 | 42.82 |       |
| 63.0                     | 74.30               | 72.50                                              | 70.60 | 68.70 | 66.80 | 64.90 | 63.00 | 61.10 | 59.20 | 57.30 | 55.58 | 53.91 |       |

### Influence of adjacent devices

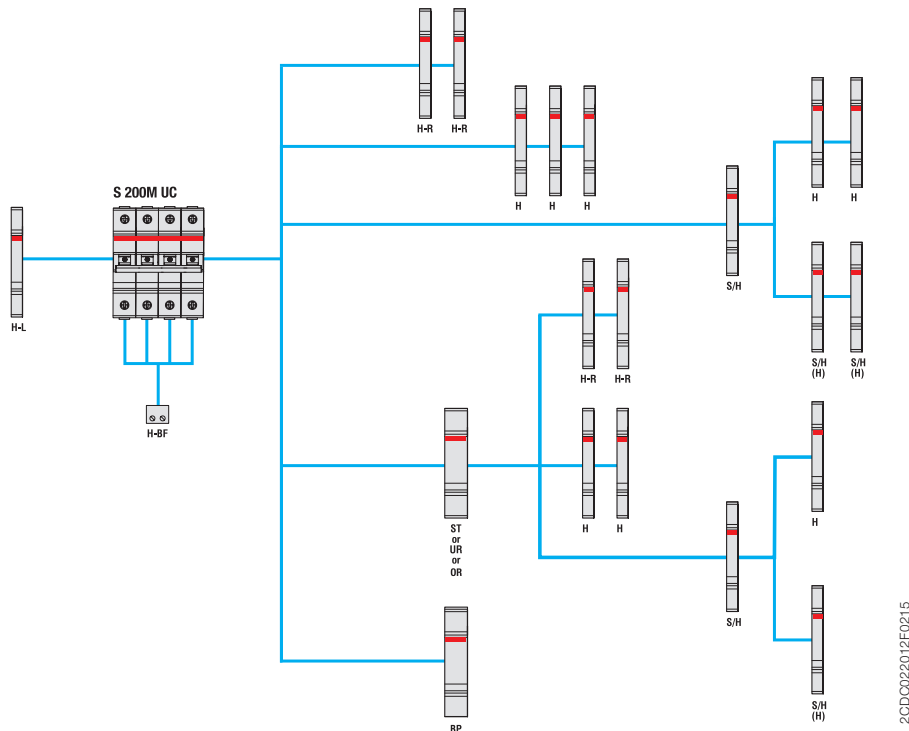
If several miniature circuit breakers are installed directly side by side with high load on all poles, a correction factor must be applied to the rated current (see table). If distance pieces are used, the factor is not to be considered.

| No. of adjacent devices | Factor F |
|-------------------------|----------|
| 1                       | 1        |
| 2, 3                    | 0.9      |
| 4, 5                    | 0.8      |
| ≥ 6                     | 0.75     |

# Miniature Circuit Breaker S 200 M UC

## Accessories and dimensional drawings

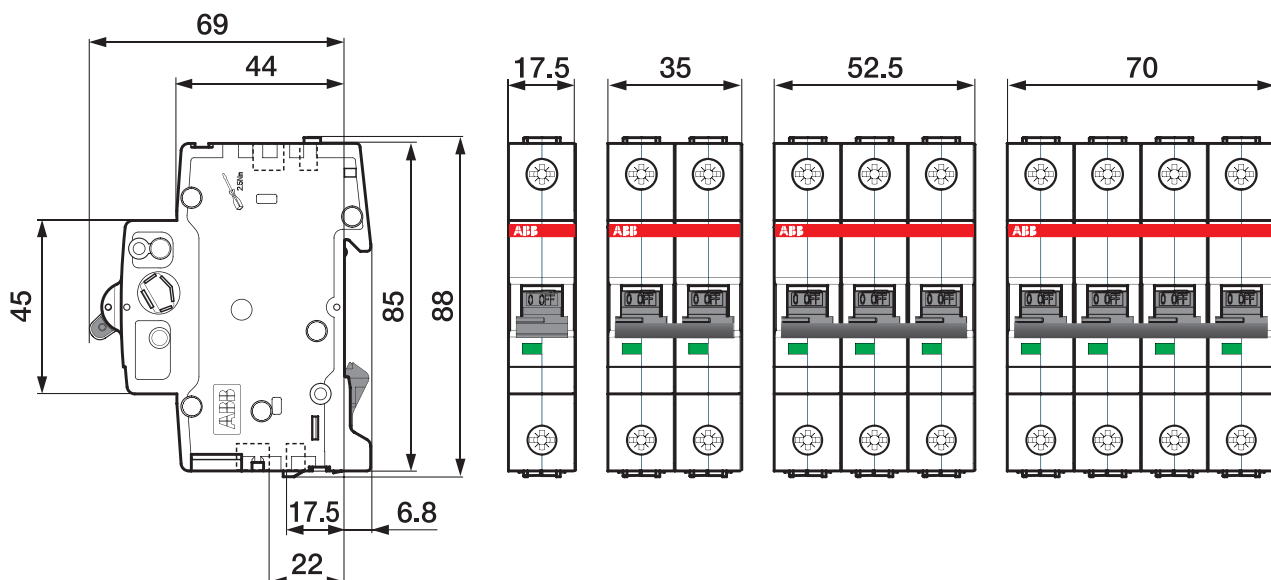
### Accessory\* overview



|         |                                                       |             |      |                                                                  |                 |
|---------|-------------------------------------------------------|-------------|------|------------------------------------------------------------------|-----------------|
| H       | Auxiliary contact                                     | S2C-H6R     | OR   | Overtoltage release                                              | S2C-OVP         |
| H-R     | Auxiliary contact                                     | S2C-H6-...R | ST-L | Shunt trip to be mounted on the left                             | S2C-A...L       |
| S/H     | Signal/Auxiliary contact                              | S2C-S/H6R   | H-L  | Auxiliary contact to be mounted on the left                      | S2C-H...L       |
| S/H (H) | Signal/Auxiliary contact<br>used as auxiliary contact | S2C-S/H6R   | H-BF | Auxiliary contact for bottom fitting<br>(1 for each pole of MCB) | S2C-H01/S2C-H10 |
| ST      | Shunt trip                                            | S2C-A...    | BP   | Mechanical tripping device                                       | S2C-BP          |
| UR      | Undervoltage release                                  | S2C-UA      |      |                                                                  |                 |

\* Please check the technical datasheet of the accessories also for electrical endurance.

### Dimensional drawing



2CDC022007F0010

# Miniature Circuit Breaker S 200 M UC

## Use of MCBs in direct current circuits

S 200 M UC MCBs can be used in the one-pole version at 220 V DC, and in the 2-pole or 4-pole version with series connection of two poles up to 440 V DC.

S 200 M UC differs from the standard S 200 type as it is fitted with permanent magnets, which assists in the forced extinguishing of the arc.

If voltages to earth exceeding 220 V DC may occur, 2-pole S 200 M UC is to be used for one-pole disconnection, and four-pole S 200 M UC for all-pole disconnection.

### For DC incoming supply from above

S 200 M UC MCBs have, in the area of arc chutes, permanent magnets. It is therefore necessary to take into account the polarity during the installation process.

Doing so ensures that in the case of a short circuit the magnetic field of the permanent magnets corresponds with the electromagnetic field of the short-circuit current, therefore safely leading the short circuit into the arc chute.

Incorrect polarities may cause damage to the MCB. This is why – in the case of top-fed devices – terminal 1 must be connected to (-) and terminal 3 to (+).

### Example for permissible voltages between the conductors depending on the number of poles and circuit layout:

|                                           |                      |                      |                      |                      |                              |
|-------------------------------------------|----------------------|----------------------|----------------------|----------------------|------------------------------|
| voltage between conductors $U_n$          | 220 V-               | 440 V-               | 440 V-               | 440 V-               | 440 V-<br>(voltage reversal) |
| voltage between conductor and earth $U_n$ | 220 V-               | 220 V-               | 440 V-               | 220 V-               | 220 V-                       |
| MCB                                       | 1-pole<br>S 201 M UC | 2-pole<br>S 202 M UC | 2-pole<br>S 202 M UC | 2-pole<br>S 202 M UC | 4-pole<br>S 204 M UC         |
| supply from below                         |                      |                      |                      |                      |                              |
| supply from above                         |                      |                      |                      |                      |                              |

SK 0114 Z 94

SK 0115 Z 94

### Examples for different voltage levels between conductor and earth in the case of identical voltage between conductors:

|                                           |                                         |                                           |                                                        |
|-------------------------------------------|-----------------------------------------|-------------------------------------------|--------------------------------------------------------|
| voltage between conductors $U_n$          | 440 V-<br>all-pole disconnection        | 440 V-<br>1-pole disconnection            | 440 V-<br>all-pole disconnection                       |
| voltage between conductor and earth $U_n$ | 220 V-<br>circuit symmetrically earthed | 440 V-<br>circuit unsymmetrically earthed | 440 V-<br>circuit unearthed or unsymmetrically earthed |
| MCB                                       | 2-pole<br>S 202 M UC                    | 2-pole<br>S 202 M UC                      | 4-pole<br>S 204 M UC                                   |
|                                           |                                         |                                           |                                                        |

SK 0196 Z 98

① in the circuit diagram, the negative pole is earthed.

② in the circuit diagram, the positive pole is earthed.

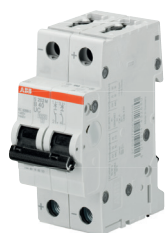


# Miniature Circuit Breaker S 200 M UC

## Ordering data characteristic B



2CDC021031S0011



2CDC021035S0011



2CDC021034S0011



2CDC021033S0011

| Number of poles | Rated current $I_n$ A | EAN 401361 | Type        | Order code      | Packing unit | Weight 1 PC |
|-----------------|-----------------------|------------|-------------|-----------------|--------------|-------------|
|                 |                       |            |             |                 | PCS          | kg          |
| 1               | 6                     | 4430596    | S201M-B6UC  | 2CDS271061R0065 | 10           | 0.125       |
|                 | 10                    | 4430602    | S201M-B10UC | 2CDS271061R0105 | 10           | 0.125       |
|                 | 13                    | 4430619    | S201M-B13UC | 2CDS271061R0135 | 10           | 0.125       |
|                 | 16                    | 4430626    | S201M-B16UC | 2CDS271061R0165 | 10           | 0.125       |
|                 | 20                    | 4430633    | S201M-B20UC | 2CDS271061R0205 | 10           | 0.125       |
|                 | 25                    | 4430640    | S201M-B25UC | 2CDS271061R0255 | 10           | 0.125       |
|                 | 32                    | 4430657    | S201M-B32UC | 2CDS271061R0325 | 10           | 0.125       |
|                 | 40                    | 4430664    | S201M-B40UC | 2CDS271061R0405 | 10           | 0.125       |
|                 | 50                    | 4430671    | S201M-B50UC | 2CDS271061R0505 | 10           | 0.125       |
|                 | 63                    | 4430688    | S201M-B63UC | 2CDS271061R0635 | 10           | 0.125       |
| 2               | 6                     | 4432811    | S202M-B6UC  | 2CDS272061R0065 | 5            | 0.250       |
|                 | 10                    | 4432828    | S202M-B10UC | 2CDS272061R0105 | 5            | 0.250       |
|                 | 13                    | 4432835    | S202M-B13UC | 2CDS272061R0135 | 5            | 0.250       |
|                 | 16                    | 4432842    | S202M-B16UC | 2CDS272061R0165 | 5            | 0.250       |
|                 | 20                    | 4432859    | S202M-B20UC | 2CDS272061R0205 | 5            | 0.250       |
|                 | 25                    | 4432866    | S202M-B25UC | 2CDS272061R0255 | 5            | 0.250       |
|                 | 32                    | 4432873    | S202M-B32UC | 2CDS272061R0325 | 5            | 0.250       |
|                 | 40                    | 4432880    | S202M-B40UC | 2CDS272061R0405 | 5            | 0.250       |
|                 | 50                    | 4432897    | S202M-B50UC | 2CDS272061R0505 | 5            | 0.250       |
|                 | 63                    | 4432903    | S202M-B63UC | 2CDS272061R0635 | 5            | 0.250       |
| 3               | 6                     | 4435034    | S203M-B6UC  | 2CDS273061R0065 | 1            | 0.375       |
|                 | 10                    | 4435041    | S203M-B10UC | 2CDS273061R0105 | 1            | 0.375       |
|                 | 13                    | 4435058    | S203M-B13UC | 2CDS273061R0135 | 1            | 0.375       |
|                 | 16                    | 4435065    | S203M-B16UC | 2CDS273061R0165 | 1            | 0.375       |
|                 | 20                    | 4435072    | S203M-B20UC | 2CDS273061R0205 | 1            | 0.375       |
|                 | 25                    | 4435089    | S203M-B25UC | 2CDS273061R0255 | 1            | 0.375       |
|                 | 32                    | 4435096    | S203M-B32UC | 2CDS273061R0325 | 1            | 0.375       |
|                 | 40                    | 4435102    | S203M-B40UC | 2CDS273061R0405 | 1            | 0.375       |
|                 | 50                    | 4435119    | S203M-B50UC | 2CDS273061R0505 | 1            | 0.375       |
|                 | 63                    | 4435126    | S203M-B63UC | 2CDS273061R0635 | 1            | 0.375       |
| 4               | 6                     | 4437250    | S204M-B6UC  | 2CDS274061R0065 | 1            | 0.500       |
|                 | 10                    | 4437267    | S204M-B10UC | 2CDS274061R0105 | 1            | 0.500       |
|                 | 13                    | 4437274    | S204M-B13UC | 2CDS274061R0135 | 1            | 0.500       |
|                 | 16                    | 4437281    | S204M-B16UC | 2CDS274061R0165 | 1            | 0.500       |
|                 | 20                    | 4437298    | S204M-B20UC | 2CDS274061R0205 | 1            | 0.500       |
|                 | 25                    | 4437304    | S204M-B25UC | 2CDS274061R0255 | 1            | 0.500       |
|                 | 32                    | 4437311    | S204M-B32UC | 2CDS274061R0325 | 1            | 0.500       |
|                 | 40                    | 4437328    | S204M-B40UC | 2CDS274061R0405 | 1            | 0.500       |
|                 | 50                    | 4437335    | S204M-B50UC | 2CDS274061R0505 | 1            | 0.500       |
|                 | 63                    | 4437342    | S204M-B63UC | 2CDS274061R0635 | 1            | 0.500       |



# Miniature Circuit Breaker S 200 M UC

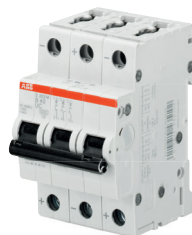
## Ordering data characteristic C



2CDC021031S0011



2CDC021035S0011



2CDC021034S0011

| Number of poles | Rated current $I_n$ A | EAN 401361  | Type            | Order code      | Packing unit | Weight |
|-----------------|-----------------------|-------------|-----------------|-----------------|--------------|--------|
|                 |                       |             |                 |                 | PCS          | 1 PC   |
|                 |                       |             |                 |                 |              | kg     |
| 1               | 0.5                   | 4430695     | S201M-C0.5UC    | 2CDS271061R0984 | 10           | 0.125  |
|                 | 1                     | 4430701     | S201M-C1UC      | 2CDS271061R0014 | 10           | 0.125  |
|                 | 1.6                   | 4430718     | S201M-C1.6UC    | 2CDS271061R0974 | 10           | 0.125  |
|                 | 2                     | 4430725     | S201M-C2UC      | 2CDS271061R0024 | 10           | 0.125  |
|                 | 3                     | 4430732     | S201M-C3UC      | 2CDS271061R0034 | 10           | 0.125  |
|                 | 4                     | 4430749     | S201M-C4UC      | 2CDS271061R0044 | 10           | 0.125  |
|                 | 6                     | 4430756     | S201M-C6UC      | 2CDS271061R0064 | 10           | 0.125  |
|                 | 8                     | 4430763     | S201M-C8UC      | 2CDS271061R0084 | 10           | 0.125  |
|                 | 10                    | 4430770     | S201M-C10UC     | 2CDS271061R0104 | 10           | 0.125  |
|                 | 13                    | 4430787     | S201M-C13UC     | 2CDS271061R0134 | 10           | 0.125  |
|                 | 16                    | 4430794     | S201M-C16UC     | 2CDS271061R0164 | 10           | 0.125  |
|                 | 20                    | 4430800     | S201M-C20UC     | 2CDS271061R0204 | 10           | 0.125  |
|                 | 25                    | 4430817     | S201M-C25UC     | 2CDS271061R0254 | 10           | 0.125  |
|                 | 32                    | 4430824     | S201M-C32UC     | 2CDS271061R0324 | 10           | 0.125  |
|                 | 40                    | 4430831     | S201M-C40UC     | 2CDS271061R0404 | 10           | 0.125  |
|                 | 50                    | 4430848     | S201M-C50UC     | 2CDS271061R0504 | 10           | 0.125  |
| 63              | 4430855               | S201M-C63UC | 2CDS271061R0634 | 10              | 0.125        |        |
| 2               | 0.5                   | 4432910     | S202M-C0.5UC    | 2CDS272061R0984 | 5            | 0.250  |
|                 | 1                     | 4432927     | S202M-C1UC      | 2CDS272061R0014 | 5            | 0.250  |
|                 | 1.6                   | 4432934     | S202M-C1.6UC    | 2CDS272061R0974 | 5            | 0.250  |
|                 | 2                     | 4432941     | S202M-C2UC      | 2CDS272061R0024 | 5            | 0.250  |
|                 | 3                     | 4432958     | S202M-C3UC      | 2CDS272061R0034 | 5            | 0.250  |
|                 | 4                     | 4432965     | S202M-C4UC      | 2CDS272061R0044 | 5            | 0.250  |
|                 | 6                     | 4432972     | S202M-C6UC      | 2CDS272061R0064 | 5            | 0.250  |
|                 | 8                     | 4432989     | S202M-C8UC      | 2CDS272061R0084 | 5            | 0.250  |
|                 | 10                    | 4432996     | S202M-C10UC     | 2CDS272061R0104 | 5            | 0.250  |
|                 | 13                    | 4433009     | S202M-C13UC     | 2CDS272061R0134 | 5            | 0.250  |
|                 | 16                    | 4433016     | S202M-C16UC     | 2CDS272061R0164 | 5            | 0.250  |
|                 | 20                    | 4433023     | S202M-C20UC     | 2CDS272061R0204 | 5            | 0.250  |
|                 | 25                    | 4433030     | S202M-C25UC     | 2CDS272061R0254 | 5            | 0.250  |
|                 | 32                    | 4433047     | S202M-C32UC     | 2CDS272061R0324 | 5            | 0.250  |
|                 | 40                    | 4433054     | S202M-C40UC     | 2CDS272061R0404 | 5            | 0.250  |
|                 | 50                    | 4433061     | S202M-C50UC     | 2CDS272061R0504 | 5            | 0.250  |
| 63              | 4433078               | S202M-C63UC | 2CDS272061R0634 | 5               | 0.250        |        |
| 3               | 0.5                   | 4435133     | S203M-C0.5UC    | 2CDS273061R0984 | 1            | 0.375  |
|                 | 1                     | 4435140     | S203M-C1UC      | 2CDS273061R0014 | 1            | 0.375  |
|                 | 1.6                   | 4435157     | S203M-C1.6UC    | 2CDS273061R0974 | 1            | 0.375  |
|                 | 2                     | 4435164     | S203M-C2UC      | 2CDS273061R0024 | 1            | 0.375  |
|                 | 3                     | 4435171     | S203M-C3UC      | 2CDS273061R0034 | 1            | 0.375  |
|                 | 4                     | 4435188     | S203M-C4UC      | 2CDS273061R0044 | 1            | 0.375  |
|                 | 6                     | 4435195     | S203M-C6UC      | 2CDS273061R0064 | 1            | 0.375  |
|                 | 8                     | 4435201     | S203M-C8UC      | 2CDS273061R0084 | 1            | 0.375  |
|                 | 10                    | 4435218     | S203M-C10UC     | 2CDS273061R0104 | 1            | 0.375  |
|                 | 13                    | 4435225     | S203M-C13UC     | 2CDS273061R0134 | 1            | 0.375  |
|                 | 16                    | 4435232     | S203M-C16UC     | 2CDS273061R0164 | 1            | 0.375  |
|                 | 20                    | 4435249     | S203M-C20UC     | 2CDS273061R0204 | 1            | 0.375  |
|                 | 25                    | 4435256     | S203M-C25UC     | 2CDS273061R0254 | 1            | 0.375  |
|                 | 32                    | 4435263     | S203M-C32UC     | 2CDS273061R0324 | 1            | 0.375  |
|                 | 40                    | 4435270     | S203M-C40UC     | 2CDS273061R0404 | 1            | 0.375  |
|                 | 50                    | 4435287     | S203M-C50UC     | 2CDS273061R0504 | 1            | 0.375  |
| 63              | 4435294               | S203M-C63UC | 2CDS273061R0634 | 1               | 0.375        |        |

# Miniature Circuit Breaker S 200 M UC

## Ordering data characteristic C



2CDC021033S0011

| Number of poles | Rated current<br>$I_n$<br>A | EAN 401361  | Type            | Order code      | Packing unit | Weight |
|-----------------|-----------------------------|-------------|-----------------|-----------------|--------------|--------|
|                 |                             |             |                 |                 | PCS          | 1 PC   |
| 4               | 0.5                         | 4437359     | S204M-C0.5UC    | 2CDS274061R0984 | 1            | 0.500  |
|                 | 1                           | 4437366     | S204M-C1UC      | 2CDS274061R0014 | 1            | 0.500  |
|                 | 1.6                         | 4437373     | S204M-C1.6UC    | 2CDS274061R0974 | 1            | 0.500  |
|                 | 2                           | 4437380     | S204M-C2UC      | 2CDS274061R0024 | 1            | 0.500  |
|                 | 3                           | 4437397     | S204M-C3UC      | 2CDS274061R0034 | 1            | 0.500  |
|                 | 4                           | 4437403     | S204M-C4UC      | 2CDS274061R0044 | 1            | 0.500  |
|                 | 6                           | 4437410     | S204M-C6UC      | 2CDS274061R0064 | 1            | 0.500  |
|                 | 8                           | 4437427     | S204M-C8UC      | 2CDS274061R0084 | 1            | 0.500  |
|                 | 10                          | 4437434     | S204M-C10UC     | 2CDS274061R0104 | 1            | 0.500  |
|                 | 13                          | 4437441     | S204M-C13UC     | 2CDS274061R0134 | 1            | 0.500  |
|                 | 16                          | 4437458     | S204M-C16UC     | 2CDS274061R0164 | 1            | 0.500  |
|                 | 20                          | 4437465     | S204M-C20UC     | 2CDS274061R0204 | 1            | 0.500  |
|                 | 25                          | 4437472     | S204M-C25UC     | 2CDS274061R0254 | 1            | 0.500  |
|                 | 32                          | 4437489     | S204M-C32UC     | 2CDS274061R0324 | 1            | 0.500  |
|                 | 40                          | 4437496     | S204M-C40UC     | 2CDS274061R0404 | 1            | 0.500  |
|                 | 50                          | 4437502     | S204M-C50UC     | 2CDS274061R0504 | 1            | 0.500  |
| 63              | 4437519                     | S204M-C63UC | 2CDS274061R0634 | 1               | 0.500        |        |

# Miniature Circuit Breaker S 200 M UC

## Ordering data characteristic K



2CDC021022S0012



2CDC021027S0012

| Number of poles | Rated current<br>$I_n$<br>A | EAN 401361  | Type            | Order code      | Packing unit | Weight     |
|-----------------|-----------------------------|-------------|-----------------|-----------------|--------------|------------|
|                 |                             |             |                 |                 | PCS          | 1 PC<br>kg |
| 1               | 0.2                         | 4430862     | S201M-K0.2UC    | 2CDS271061R0087 | 10           | 0.125      |
|                 | 0.3                         | 4430879     | S201M-K0.3UC    | 2CDS271061R0117 | 10           | 0.125      |
|                 | 0.5                         | 4430886     | S201M-K0.5UC    | 2CDS271061R0157 | 10           | 0.125      |
|                 | 0.75                        | 4430893     | S201M-K0.75UC   | 2CDS271061R0187 | 10           | 0.125      |
|                 | 1                           | 4430909     | S201M-K1UC      | 2CDS271061R0217 | 10           | 0.125      |
|                 | 1.6                         | 4430916     | S201M-K1.6UC    | 2CDS271061R0257 | 10           | 0.125      |
|                 | 2                           | 4430923     | S201M-K2UC      | 2CDS271061R0277 | 10           | 0.125      |
|                 | 3                           | 4430930     | S201M-K3UC      | 2CDS271061R0317 | 10           | 0.125      |
|                 | 4                           | 4430947     | S201M-K4UC      | 2CDS271061R0337 | 10           | 0.125      |
|                 | 5                           | 4430954     | S201M-K5UC      | 2CDS271061R0357 | 10           | 0.125      |
|                 | 6                           | 4430961     | S201M-K6UC      | 2CDS271061R0377 | 10           | 0.125      |
|                 | 8                           | 4430978     | S201M-K8UC      | 2CDS271061R0407 | 10           | 0.125      |
|                 | 10                          | 4430985     | S201M-K10UC     | 2CDS271061R0427 | 10           | 0.125      |
|                 | 13                          | 4430992     | S201M-K13UC     | 2CDS271061R0447 | 10           | 0.125      |
|                 | 15                          | 4431005     | S201M-K15UC     | 2CDS271061R0457 | 10           | 0.125      |
|                 | 16                          | 4431012     | S201M-K16UC     | 2CDS271061R0467 | 10           | 0.125      |
|                 | 20                          | 4431029     | S201M-K20UC     | 2CDS271061R0487 | 10           | 0.125      |
|                 | 25                          | 4431036     | S201M-K25UC     | 2CDS271061R0517 | 10           | 0.125      |
|                 | 30                          | 4431043     | S201M-K30UC     | 2CDS271061R0527 | 10           | 0.125      |
|                 | 32                          | 4431050     | S201M-K32UC     | 2CDS271061R0537 | 10           | 0.125      |
|                 | 35                          | 4431067     | S201M-K35UC     | 2CDS271061R0547 | 10           | 0.125      |
| 40              | 4431074                     | S201M-K40UC | 2CDS271061R0557 | 10              | 0.125        |            |
| 50              | 4431081                     | S201M-K50UC | 2CDS271061R0577 | 10              | 0.125        |            |
| 60              | 4431098                     | S201M-K60UC | 2CDS271061R0587 | 10              | 0.125        |            |
| 63              | 4431104                     | S201M-K63UC | 2CDS271061R0607 | 10              | 0.125        |            |
| 2               | 0.2                         | 4433085     | S202M-K0.2UC    | 2CDS272061R0087 | 5            | 0.250      |
|                 | 0.3                         | 4433092     | S202M-K0.3UC    | 2CDS272061R0117 | 5            | 0.250      |
|                 | 0.5                         | 4433108     | S202M-K0.5UC    | 2CDS272061R0157 | 5            | 0.250      |
|                 | 0.75                        | 4433115     | S202M-K0.75UC   | 2CDS272061R0187 | 5            | 0.250      |
|                 | 1                           | 4433122     | S202M-K1UC      | 2CDS272061R0217 | 5            | 0.250      |
|                 | 1.6                         | 4433139     | S202M-K1.6UC    | 2CDS272061R0257 | 5            | 0.250      |
|                 | 2                           | 4433146     | S202M-K2UC      | 2CDS272061R0277 | 5            | 0.250      |
|                 | 3                           | 4433153     | S202M-K3UC      | 2CDS272061R0317 | 5            | 0.250      |
|                 | 4                           | 4433160     | S202M-K4UC      | 2CDS272061R0337 | 5            | 0.250      |
|                 | 5                           | 4433177     | S202M-K5UC      | 2CDS272061R0357 | 5            | 0.250      |
|                 | 6                           | 4433184     | S202M-K6UC      | 2CDS272061R0377 | 5            | 0.250      |
|                 | 8                           | 4433191     | S202M-K8UC      | 2CDS272061R0407 | 5            | 0.250      |
|                 | 10                          | 4433207     | S202M-K10UC     | 2CDS272061R0427 | 5            | 0.250      |
|                 | 13                          | 4433214     | S202M-K13UC     | 2CDS272061R0447 | 5            | 0.250      |
|                 | 15                          | 4433221     | S202M-K15UC     | 2CDS272061R0457 | 5            | 0.250      |
|                 | 16                          | 4433238     | S202M-K16UC     | 2CDS272061R0467 | 5            | 0.250      |
|                 | 20                          | 4433245     | S202M-K20UC     | 2CDS272061R0487 | 5            | 0.250      |
|                 | 25                          | 4433252     | S202M-K25UC     | 2CDS272061R0517 | 5            | 0.250      |
|                 | 30                          | 4433269     | S202M-K30UC     | 2CDS272061R0527 | 5            | 0.250      |
|                 | 32                          | 4433276     | S202M-K32UC     | 2CDS272061R0537 | 5            | 0.250      |
|                 | 35                          | 4433283     | S202M-K35UC     | 2CDS272061R0547 | 5            | 0.250      |
| 40              | 4433290                     | S202M-K40UC | 2CDS272061R0557 | 5               | 0.250        |            |
| 50              | 4433306                     | S202M-K50UC | 2CDS272061R0577 | 5               | 0.250        |            |
| 60              | 4433313                     | S202M-K60UC | 2CDS272061R0587 | 5               | 0.250        |            |
| 63              | 4433320                     | S202M-K63UC | 2CDS272061R0607 | 5               | 0.250        |            |

# Miniature Circuit Breaker S 200 M UC

## Ordering data characteristic K



2CDC02102850012



2CDC02102950012

| Number of poles | Rated current $I_n$ A | EAN 401361  | Type            | Order code      | Packing unit | Weight |
|-----------------|-----------------------|-------------|-----------------|-----------------|--------------|--------|
|                 |                       |             |                 |                 | PCS          | 1 PC   |
|                 |                       |             |                 |                 | PCS          | kg     |
| 3               | 0.2                   | 4435300     | S203M-K0.2UC    | 2CDS273061R0087 | 1            | 0.375  |
|                 | 0.3                   | 4435317     | S203M-K0.3UC    | 2CDS273061R0117 | 1            | 0.375  |
|                 | 0.5                   | 4435324     | S203M-K0.5UC    | 2CDS273061R0157 | 1            | 0.375  |
|                 | 0.75                  | 4435331     | S203M-K0.75UC   | 2CDS273061R0187 | 1            | 0.375  |
|                 | 1                     | 4435348     | S203M-K1UC      | 2CDS273061R0217 | 1            | 0.375  |
|                 | 1.6                   | 4435355     | S203M-K1.6UC    | 2CDS273061R0257 | 1            | 0.375  |
|                 | 2                     | 4435362     | S203M-K2UC      | 2CDS273061R0277 | 1            | 0.375  |
|                 | 3                     | 4435379     | S203M-K3UC      | 2CDS273061R0317 | 1            | 0.375  |
|                 | 4                     | 4435386     | S203M-K4UC      | 2CDS273061R0337 | 1            | 0.375  |
|                 | 5                     | 4435393     | S203M-K5UC      | 2CDS273061R0357 | 1            | 0.375  |
|                 | 6                     | 4435409     | S203M-K6UC      | 2CDS273061R0377 | 1            | 0.375  |
|                 | 8                     | 4435416     | S203M-K8UC      | 2CDS273061R0407 | 1            | 0.375  |
|                 | 10                    | 4435423     | S203M-K10UC     | 2CDS273061R0427 | 1            | 0.375  |
|                 | 13                    | 4435430     | S203M-K13UC     | 2CDS273061R0447 | 1            | 0.375  |
|                 | 15                    | 4435447     | S203M-K15UC     | 2CDS273061R0457 | 1            | 0.375  |
|                 | 16                    | 4435454     | S203M-K16UC     | 2CDS273061R0467 | 1            | 0.375  |
|                 | 20                    | 4435461     | S203M-K20UC     | 2CDS273061R0487 | 1            | 0.375  |
|                 | 25                    | 4435478     | S203M-K25UC     | 2CDS273061R0517 | 1            | 0.375  |
|                 | 30                    | 4435485     | S203M-K30UC     | 2CDS273061R0527 | 1            | 0.375  |
|                 | 32                    | 4435492     | S203M-K32UC     | 2CDS273061R0537 | 1            | 0.375  |
|                 | 35                    | 4435508     | S203M-K35UC     | 2CDS273061R0547 | 1            | 0.375  |
| 40              | 4435515               | S203M-K40UC | 2CDS273061R0557 | 1               | 0.375        |        |
| 50              | 4435522               | S203M-K50UC | 2CDS273061R0577 | 1               | 0.375        |        |
| 60              | 4435539               | S203M-K60UC | 2CDS273061R0587 | 1               | 0.375        |        |
| 63              | 4435546               | S203M-K63UC | 2CDS273061R0607 | 1               | 0.375        |        |
| 4               | 0.2                   | 4437526     | S204M-K0.2UC    | 2CDS274061R0087 | 1            | 0.500  |
|                 | 0.3                   | 4437533     | S204M-K0.3UC    | 2CDS274061R0117 | 1            | 0.500  |
|                 | 0.5                   | 4437540     | S204M-K0.5UC    | 2CDS274061R0157 | 1            | 0.500  |
|                 | 0.75                  | 4437557     | S204M-K0.75UC   | 2CDS274061R0187 | 1            | 0.500  |
|                 | 1                     | 4437564     | S204M-K1UC      | 2CDS274061R0217 | 1            | 0.500  |
|                 | 1.6                   | 4437571     | S204M-K1.6UC    | 2CDS274061R0257 | 1            | 0.500  |
|                 | 2                     | 4437588     | S204M-K2UC      | 2CDS274061R0277 | 1            | 0.500  |
|                 | 3                     | 4437595     | S204M-K3UC      | 2CDS274061R0317 | 1            | 0.500  |
|                 | 4                     | 4437601     | S204M-K4UC      | 2CDS274061R0337 | 1            | 0.500  |
|                 | 5                     | 4437618     | S204M-K5UC      | 2CDS274061R0357 | 1            | 0.500  |
|                 | 6                     | 4437625     | S204M-K6UC      | 2CDS274061R0377 | 1            | 0.500  |
|                 | 8                     | 4437632     | S204M-K8UC      | 2CDS274061R0407 | 1            | 0.500  |
|                 | 10                    | 4437649     | S204M-K10UC     | 2CDS274061R0427 | 1            | 0.500  |
|                 | 13                    | 4437656     | S204M-K13UC     | 2CDS274061R0447 | 1            | 0.500  |
|                 | 15                    | 4437663     | S204M-K15UC     | 2CDS274061R0457 | 1            | 0.500  |
|                 | 16                    | 4437670     | S204M-K16UC     | 2CDS274061R0467 | 1            | 0.500  |
|                 | 20                    | 4437687     | S204M-K20UC     | 2CDS274061R0487 | 1            | 0.500  |
|                 | 25                    | 4437694     | S204M-K25UC     | 2CDS274061R0517 | 1            | 0.500  |
|                 | 30                    | 4437700     | S204M-K30UC     | 2CDS274061R0527 | 1            | 0.500  |
|                 | 32                    | 4437717     | S204M-K32UC     | 2CDS274061R0537 | 1            | 0.500  |
|                 | 35                    | 4437724     | S204M-K35UC     | 2CDS274061R0547 | 1            | 0.500  |
| 40              | 4437731               | S204M-K40UC | 2CDS274061R0557 | 1               | 0.500        |        |
| 50              | 4437748               | S204M-K50UC | 2CDS274061R0577 | 1               | 0.500        |        |
| 60              | 4437755               | S204M-K60UC | 2CDS274061R0587 | 1               | 0.500        |        |
| 63              | 4437762               | S204M-K63UC | 2CDS274061R0607 | 1               | 0.500        |        |

# Miniature Circuit Breaker S 200 M UC

## Ordering data characteristic Z



2CDC002102ZS0012



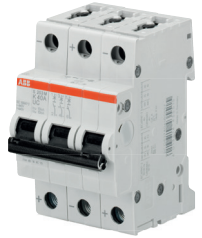
2CDC002102ZS0012

| Number of poles | Rated current<br>$I_n$<br>A | EAN 401361  | Type            | Order code      | Packing unit | Weight |
|-----------------|-----------------------------|-------------|-----------------|-----------------|--------------|--------|
|                 |                             |             |                 |                 | PCS          | 1 PC   |
|                 |                             |             |                 |                 | PCS          | kg     |
| 1               | 0.5                         | 4431111     | S201M-Z0.5UC    | 2CDS271061R0158 | 10           | 0.125  |
|                 | 1                           | 4431128     | S201M-Z1UC      | 2CDS271061R0218 | 10           | 0.125  |
|                 | 1.6                         | 4431135     | S201M-Z1.6UC    | 2CDS271061R0258 | 10           | 0.125  |
|                 | 2                           | 4431142     | S201M-Z2UC      | 2CDS271061R0278 | 10           | 0.125  |
|                 | 3                           | 4431159     | S201M-Z3UC      | 2CDS271061R0318 | 10           | 0.125  |
|                 | 4                           | 4431166     | S201M-Z4UC      | 2CDS271061R0338 | 10           | 0.125  |
|                 | 5                           | 4431173     | S201M-Z5UC      | 2CDS271061R0358 | 10           | 0.125  |
|                 | 6                           | 4431180     | S201M-Z6UC      | 2CDS271061R0378 | 10           | 0.125  |
|                 | 8                           | 4431197     | S201M-Z8UC      | 2CDS271061R0408 | 10           | 0.125  |
|                 | 10                          | 4431203     | S201M-Z10UC     | 2CDS271061R0428 | 10           | 0.125  |
|                 | 15                          | 4431227     | S201M-Z15UC     | 2CDS271061R0458 | 10           | 0.125  |
|                 | 16                          | 4431234     | S201M-Z16UC     | 2CDS271061R0468 | 10           | 0.125  |
|                 | 20                          | 4431241     | S201M-Z20UC     | 2CDS271061R0488 | 10           | 0.125  |
|                 | 25                          | 4431258     | S201M-Z25UC     | 2CDS271061R0518 | 10           | 0.125  |
|                 | 30                          | 4431265     | S201M-Z30UC     | 2CDS271061R0528 | 10           | 0.125  |
|                 | 32                          | 4431272     | S201M-Z32UC     | 2CDS271061R0538 | 10           | 0.125  |
|                 | 35                          | 4431289     | S201M-Z35UC     | 2CDS271061R0548 | 10           | 0.125  |
|                 | 40                          | 4431296     | S201M-Z40UC     | 2CDS271061R0558 | 10           | 0.125  |
|                 | 50                          | 4431302     | S201M-Z50UC     | 2CDS271061R0578 | 10           | 0.125  |
|                 | 60                          | 4431319     | S201M-Z60UC     | 2CDS271061R0588 | 10           | 0.125  |
| 63              | 4431326                     | S201M-Z63UC | 2CDS271061R0608 | 10              | 0.125        |        |
| 2               | 0.5                         | 4433337     | S202M-Z0.5UC    | 2CDS272061R0158 | 5            | 0.250  |
|                 | 1                           | 4433344     | S202M-Z1UC      | 2CDS272061R0218 | 5            | 0.250  |
|                 | 1.6                         | 4433351     | S202M-Z1.6UC    | 2CDS272061R0258 | 5            | 0.250  |
|                 | 2                           | 4433368     | S202M-Z2UC      | 2CDS272061R0278 | 5            | 0.250  |
|                 | 3                           | 4433375     | S202M-Z3UC      | 2CDS272061R0318 | 5            | 0.250  |
|                 | 4                           | 4433382     | S202M-Z4UC      | 2CDS272061R0338 | 5            | 0.250  |
|                 | 5                           | 4433399     | S202M-Z5UC      | 2CDS272061R0358 | 5            | 0.250  |
|                 | 6                           | 4433405     | S202M-Z6UC      | 2CDS272061R0378 | 5            | 0.250  |
|                 | 8                           | 4433412     | S202M-Z8UC      | 2CDS272061R0408 | 5            | 0.250  |
|                 | 10                          | 4433429     | S202M-Z10UC     | 2CDS272061R0428 | 5            | 0.250  |
|                 | 15                          | 4433443     | S202M-Z15UC     | 2CDS272061R0458 | 5            | 0.250  |
|                 | 16                          | 4433450     | S202M-Z16UC     | 2CDS272061R0468 | 5            | 0.250  |
|                 | 20                          | 4433467     | S202M-Z20UC     | 2CDS272061R0488 | 5            | 0.250  |
|                 | 25                          | 4433474     | S202M-Z25UC     | 2CDS272061R0518 | 5            | 0.250  |
|                 | 30                          | 4433481     | S202M-Z30UC     | 2CDS272061R0528 | 5            | 0.250  |
|                 | 32                          | 4433498     | S202M-Z32UC     | 2CDS272061R0538 | 5            | 0.250  |
|                 | 35                          | 4433504     | S202M-Z35UC     | 2CDS272061R0548 | 5            | 0.250  |
|                 | 40                          | 4433511     | S202M-Z40UC     | 2CDS272061R0558 | 5            | 0.250  |
|                 | 50                          | 4433528     | S202M-Z50UC     | 2CDS272061R0578 | 5            | 0.250  |
|                 | 60                          | 4433535     | S202M-Z60UC     | 2CDS272061R0588 | 5            | 0.250  |
| 63              | 4433542                     | S202M-Z63UC | 2CDS272061R0608 | 5               | 0.250        |        |



# Miniature Circuit Breaker S 200 M UC

## Ordering data characteristic Z



2CDC021028S0012



2CDC021029S0012

| Number of poles | Rated current<br>$I_n$<br>A | EAN 401361  | Type            | Order code      | Packing unit | Weight     |
|-----------------|-----------------------------|-------------|-----------------|-----------------|--------------|------------|
|                 |                             |             |                 |                 | PCS          | 1 PC<br>kg |
| 3               | 0.5                         | 4435553     | S203M-Z0.5UC    | 2CDS273061R0158 | 1            | 0.375      |
|                 | 1                           | 4435560     | S203M-Z1UC      | 2CDS273061R0218 | 1            | 0.375      |
|                 | 1.6                         | 4435577     | S203M-Z1.6UC    | 2CDS273061R0258 | 1            | 0.375      |
|                 | 2                           | 4435584     | S203M-Z2UC      | 2CDS273061R0278 | 1            | 0.375      |
|                 | 3                           | 4435591     | S203M-Z3UC      | 2CDS273061R0318 | 1            | 0.375      |
|                 | 4                           | 4435607     | S203M-Z4UC      | 2CDS273061R0338 | 1            | 0.375      |
|                 | 5                           | 4435614     | S203M-Z5UC      | 2CDS273061R0358 | 1            | 0.375      |
|                 | 6                           | 4435621     | S203M-Z6UC      | 2CDS273061R0378 | 1            | 0.375      |
|                 | 8                           | 4435638     | S203M-Z8UC      | 2CDS273061R0408 | 1            | 0.375      |
|                 | 10                          | 4435645     | S203M-Z10UC     | 2CDS273061R0428 | 1            | 0.375      |
|                 | 15                          | 4435669     | S203M-Z15UC     | 2CDS273061R0458 | 1            | 0.375      |
|                 | 16                          | 4435676     | S203M-Z16UC     | 2CDS273061R0468 | 1            | 0.375      |
|                 | 20                          | 4435683     | S203M-Z20UC     | 2CDS273061R0488 | 1            | 0.375      |
|                 | 25                          | 4435690     | S203M-Z25UC     | 2CDS273061R0518 | 1            | 0.375      |
|                 | 30                          | 4435706     | S203M-Z30UC     | 2CDS273061R0528 | 1            | 0.375      |
|                 | 32                          | 4435713     | S203M-Z32UC     | 2CDS273061R0538 | 1            | 0.375      |
|                 | 35                          | 4435720     | S203M-Z35UC     | 2CDS273061R0548 | 1            | 0.375      |
|                 | 40                          | 4435737     | S203M-Z40UC     | 2CDS273061R0558 | 1            | 0.375      |
|                 | 50                          | 4435744     | S203M-Z50UC     | 2CDS273061R0578 | 1            | 0.375      |
|                 | 60                          | 4435751     | S203M-Z60UC     | 2CDS273061R0588 | 1            | 0.375      |
| 63              | 4435768                     | S203M-Z63UC | 2CDS273061R0608 | 1               | 0.375        |            |
| 4               | 0.5                         | 4437779     | S204M-Z0.5UC    | 2CDS274061R0158 | 1            | 0.500      |
|                 | 1                           | 4437786     | S204M-Z1UC      | 2CDS274061R0218 | 1            | 0.500      |
|                 | 1.6                         | 4437793     | S204M-Z1.6UC    | 2CDS274061R0258 | 1            | 0.500      |
|                 | 2                           | 4437809     | S204M-Z2UC      | 2CDS274061R0278 | 1            | 0.500      |
|                 | 3                           | 4437816     | S204M-Z3UC      | 2CDS274061R0318 | 1            | 0.500      |
|                 | 4                           | 4437823     | S204M-Z4UC      | 2CDS274061R0338 | 1            | 0.500      |
|                 | 5                           | 4437830     | S204M-Z5UC      | 2CDS274061R0358 | 1            | 0.500      |
|                 | 6                           | 4437847     | S204M-Z6UC      | 2CDS274061R0378 | 1            | 0.500      |
|                 | 8                           | 4437854     | S204M-Z8UC      | 2CDS274061R0408 | 1            | 0.500      |
|                 | 10                          | 4437861     | S204M-Z10UC     | 2CDS274061R0428 | 1            | 0.500      |
|                 | 15                          | 4437885     | S204M-Z15UC     | 2CDS274061R0458 | 1            | 0.500      |
|                 | 16                          | 4437892     | S204M-Z16UC     | 2CDS274061R0468 | 1            | 0.500      |
|                 | 20                          | 4437908     | S204M-Z20UC     | 2CDS274061R0488 | 1            | 0.500      |
|                 | 25                          | 4437915     | S204M-Z25UC     | 2CDS274061R0518 | 1            | 0.500      |
|                 | 30                          | 4437922     | S204M-Z30UC     | 2CDS274061R0528 | 1            | 0.500      |
|                 | 32                          | 4437939     | S204M-Z32UC     | 2CDS274061R0538 | 1            | 0.500      |
|                 | 35                          | 4437946     | S204M-Z35UC     | 2CDS274061R0548 | 1            | 0.500      |
|                 | 40                          | 4437953     | S204M-Z40UC     | 2CDS274061R0558 | 1            | 0.500      |
|                 | 50                          | 4437960     | S204M-Z50UC     | 2CDS274061R0578 | 1            | 0.500      |
|                 | 60                          | 4437977     | S204M-Z60UC     | 2CDS274061R0588 | 1            | 0.500      |
| 63              | 4437984                     | S204M-Z63UC | 2CDS274061R0608 | 1               | 0.500        |            |





# Contact

## **ABB STOTZ-KONTAKT GmbH**

Eppelheimer Straße 82  
69123 Heidelberg, Germany  
Phone: +49 (0) 6221 7 01-0  
Fax: +49 (0) 6221 7 01-13 25  
E-Mail: [info.desto@de.abb.com](mailto:info.desto@de.abb.com)

You can find the address of your  
local sales organization on the  
ABB home page  
<http://www.abb.com/contacts>  
-> Low Voltage Products and Systems

## **Note:**

We reserve the right to make technical changes or modify the contents of this document without prior notice. With regard to purchase orders, the agreed particulars shall prevail. ABB AG does not accept any responsibility whatsoever for potential errors or possible lack of information in this document.

We reserve all rights in this document and in the subject matter and illustrations contained therein. Any reproduction, disclosure to third parties or utilization of its contents – in whole or in parts – is forbidden without prior written consent of ABB AG.

Copyright© 2015 ABB  
All rights reserved

Brochure number 2CDC002142D0207 (03/15-pdf)