

Steel ball valves, full bore

154/GS series, welding / welding, GOST, DN 200-400, full bore

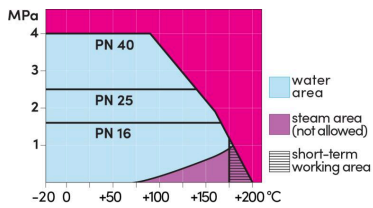
Body	DN 200-400 Steel, P235GH (1.0345)
Ball	DN 200-400 Stainless steel, X5CrNi18-10 (1.4301)
Ball seal	DN 200-400 PTFE+C
Stem	DN 200-400 Stainless steel, X8CrNiS18-9 (1.4305)
Stem seal	DN 200-400 FPM
Operation	DN 200-400 Valve is equipped with manual gear



Operation conditions

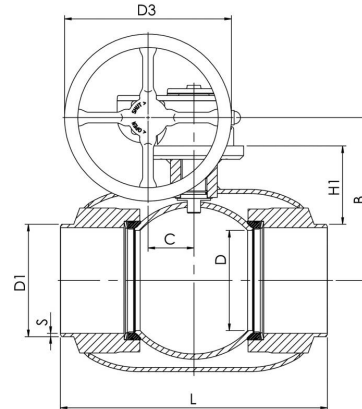
-20 °C – +200 °C
 Below -20 °C contact manufacturer
 Lowest allowed ambient temperature -40 °C

Leakage rate A (EN 12266-1)

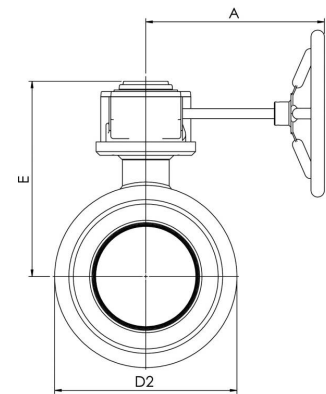


Not for steam

DN 100-400



DN 100-400



DN	PN	Product no.	A	B	C	D	D1	D2	D3	E	H1	L	S	kg
200	25	154200/GS	301	294	97	200	219.0	355.6	300.0	345	135	530	5	113.0
250	25	154250/GS	363	343	117	250	273.0	457.0	600.0	412	158	550	5	164.0
300	25	154300/GS	363	418	117	290	325.0	508.0	600.0	487	206	686	7	216.0
350	25	154350/GS	440	500	138	340	377.0	610.0	500.0	573	267	762	7,0	305.0
400	25	154400/GS	471	576	180	390	426.0	660.0	500.0	648	300	914	7	603.0