

# Ultra wide tolerance coupling SERIES 3100

Enables the mechanical jointing of pipes made of different materials and of various outside diameters.



### Description

- Ultra wide tolerance range: an average of 40 mm.
- Small number of models for a Nominal Diameter.
- Reliability:
  - Permanent leak tight joint when compressing the gasket between the end-flange and the sleeve onto the pipe surface.
  - Independent sealing compression on each socket end.
  - Anticorrosion protection: epoxy powder coating 120 µm and Dacromet® 500 Gr.B for the bolts.
- Ease of installation:
  - Angular deflection  $\pm 10^\circ$ ,
  - Easy mounting with interchangeability of bolts direction,
  - Accommodates misalignment,
  - Setting gap.
- Conformity to standards:
  - NFA 48 830: Foundry products - Spheroidal graphite cast iron fittings for PVC drinking water pipes under pressure.
  - EN 545: Ductile iron pipes, fittings, accessories and their joints for water pipelines – requirements and test methods.
  - ISO 2531: Ductile iron pipes, fittings, accessories and their joints for water applications.
- Approval:
  - Drinking water approved.
- Nota:

This coupling does not resist to longitudinal forces and pipe pull out will occur. Ensure adequate restraint is provided

### Technical data

- Range: DE 40 to 845.
- Maximal working pressure: PN 16.
- Temperatures: +0°C to +60°C.
- Torque: 60 to 70 Nm.

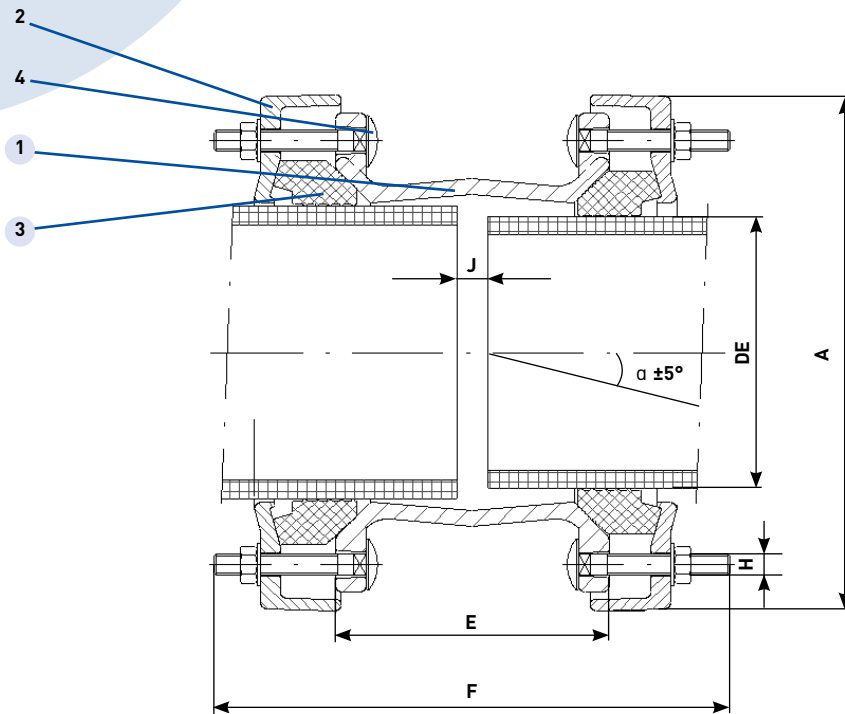
### Applications

Particularly designed for asbestos cement or concrete pipes. Used as straight or stepped flange adaptor on:

- Drinking water networks.
- Irrigation networks.
- Sewage networks.

### Tests

- Sealing test according to standard ISO 2531.



Item	Designation	Qty	Materials	Standards
1	Centre sleeve	1	Ductile iron/EN-GJS-500-7	EN 1563
2	End-flanges	2	Ductile iron/EN-GJS-500-7	EN 1563
3	Gasket	2	EPDM	EN 681-1
4	Bolts	acc/DN	Steel C45 Cl. 8.8*	10083-2

\* Stainless steel on request

## SERIES 3100 ULTRA WIDE TOLERANCE COUPLING

Réf.	DN	DE mm	E mm	F mm	H mm	A mm	J mini	J maxi	Poids Kg
3101	50	40-75	145	280	6-M14x80	215	20	75	8.6
3102	60/65	60-95	145	300	8-M14x80	235	20	75	11.8
3103	80	80-115	145	300	8-M14x80	260	20	75	15
3104	100	105-135	145	300	8-M14x80	280	20	75	17.4
3105	125	130-165	180	340	8-M14x100	310	20	110	22
3106	150	155-195	180	340	8-M14x100	340	20	110	24
3107	175	190-230	180	340	8-M14x100	375	20	110	27.2
3108	200	215-258	180	340	12-M14x100	400	20	110	30.7
3109	225	240-280	200	360	12-M16x100	425	20	130	35.8
3110	250	235-275	200	360	12-M16x100	420	20	130	35.8
3110-A	250	270-310	200	360	12-M16x100	455	20	130	38.2
3111	300	310-350	200	370	12-M16x100	495	20	130	43.1
3111-A	300	350-390	200	370	12-M16x100	535	20	130	47.5
3112-A	350	395-435	200	370	12-M16x100	580	20	130	51.5
3113-A	400	435-470	200	370	12-M16x100	615	20	130	55.5
3113-B	400	470-505	200	370	12-M16x100	650	20	130	59
3115	500	505-540	200	370	20-M16x100	685	20	130	65
3115-A	500	540-575	200	370	20-M16x100	720	20	130	65.5
3115-B	500	575-610	200	370	20-M16x100	755	20	130	69
3116	600	610-645	200	370	20-M16x100	790	20	130	75.5
3116-A	600	645-680	200	370	20-M16x100	825	20	130	78
3116-B	600	680-715	200	370	20-M16x100	860	20	130	78.5
3117	700	710-745	200	370	24-M16x100	890	20	130	83.5
3118	800	810-845	200	370	24-M16x100	990	20	130	93.5

**BELGICAST Internacional, S.L.**

Bº zabalondo, 31 | 48100 Mungia (Bizkaia) | Spain | Phone: +34 94 488 91 00

**BELGICAST - SERIES 3100 ULTRA WIDE TOLERANCE COUPLING - EN**

The technical data and performance can be modified without prior notice depending on the technical evolution.