

K2EDTA

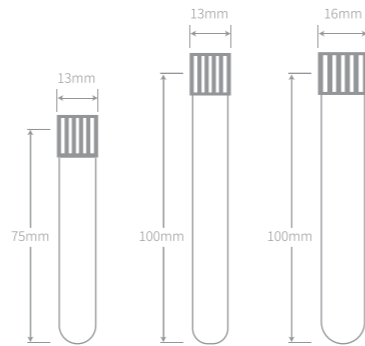
Intended to be used in hematology laboratory for withdrawing Whole blood or EDTA Plasma in order to examine various kinds of blood cells.

Tubes manufactured using transparent PET or Glass. Caps manufactured using polyethylene.

Specimen: whole blood.

After taking blood into the tube it should be mixed by turning 6-8 times. Lack of mixing can also cause platelet aggregation, coagulation or formation of micro clots.

■ In addition, we can provide EDTA blood collection tube with Na2EDTA as additive. If you need to order, please contact our sales manager.



REF	Additive	Cap Colour	Tube Size (mm)	Draw Volume (mL)	Tube Materia	Pack/Carton	Label
RJ1802101-0P	K2EDTA	● Purple	13x75	1mL	PET	100PCS/1200PCS	Paper/Transparent
RJ1802101-0G	K2EDTA	● Purple	13x75	1mL	GLASS	100PCS/1200PCS	Paper/Transparent
RJ1802102-0P	K2EDTA	● Purple	13x75	2mL	PET	100PCS/1200PCS	Paper/Transparent
RJ1802102-0G	K2EDTA	● Purple	13x75	2mL	GLASS	100PCS/1200PCS	Paper/Transparent
RJ1802103-0P	K2EDTA	● Purple	13x75	3mL	PET	100PCS/1200PCS	Paper/Transparent
RJ1802103-0G	K2EDTA	● Purple	13x75	3mL	GLASS	100PCS/1200PCS	Paper/Transparent
RJ1802104-0P	K2EDTA	● Purple	13x75	4mL	PET	100PCS/1200PCS	Paper/Transparent
RJ1802104-0G	K2EDTA	● Purple	13x75	4mL	GLASS	100PCS/1200PCS	Paper/Transparent
RJ1802205-0P	K2EDTA	● Purple	13x100	5mL	PET	100PCS/1200PCS	Paper/Transparent
RJ1802205-0G	K2EDTA	● Purple	13x100	5mL	GLASS	100PCS/1200PCS	Paper/Transparent
RJ1802206-0P	K2EDTA	● Purple	13x100	6mL	PET	100PCS/1200PCS	Paper/Transparent
RJ1802206-0G	K2EDTA	● Purple	13x100	6mL	GLASS	100PCS/1200PCS	Paper/Transparent
RJ1802207-0P	K2EDTA	● Purple	13x100	7mL	PET	100PCS/1200PCS	Paper/Transparent
RJ1802207-0G	K2EDTA	● Purple	13x100	7mL	GLASS	100PCS/1200PCS	Paper/Transparent
RJ1802308-0P	K2EDTA	● Purple	16x100	8mL	PET	100PCS/1200PCS	Paper/Transparent
RJ1802308-0G	K2EDTA	● Purple	16x100	8mL	GLASS	100PCS/1200PCS	Paper/Transparent
RJ1802309-0P	K2EDTA	● Purple	16x100	9mL	PET	100PCS/1200PCS	Paper/Transparent
RJ1802309-0G	K2EDTA	● Purple	16x100	9mL	GLASS	100PCS/1200PCS	Paper/Transparent
RJ1802310-0P	K2EDTA	● Purple	16x100	10mL	PET	100PCS/1200PCS	Paper/Transparent
RJ1802310-0G	K2EDTA	● Purple	16x100	10mL	GLASS	100PCS/1200PCS	Paper/Transparent

K3EDTA

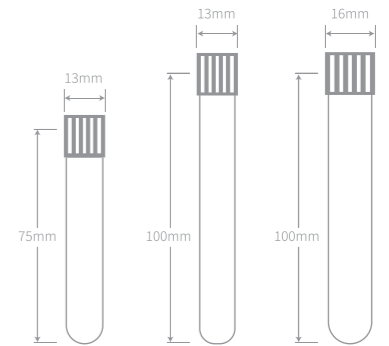
Intended to be used in hematology laboratory for withdrawing Whole blood or EDTA Plasma in order to examine various kinds of blood cells.

Tubes manufactured using transparent PET or Glass. Caps manufactured using polyethylene.

Specimen: whole blood.

After taking blood into the tube it should be mixed by turning 6-8 times. Lack of mixing can also cause platelet aggregation, coagulation or formation of micro clots.

■ In addition, we can provide EDTA blood collection tube with Na2EDTA as additive. If you need to order, please contact our sales manager.



REF	Additive	Cap Colour	Tube Size (mm)	Draw Volume (mL)	Tube Materia	Pack/Carton	Label
RJ1803101-0P	K3EDTA	● Purple	13x75	1mL	PET	100PCS/1200PCS	Paper/Transparent
RJ1803101-0G	K3EDTA	● Purple	13x75	1mL	GLASS	100PCS/1200PCS	Paper/Transparent
RJ1803102-0P	K3EDTA	● Purple	13x75	2mL	PET	100PCS/1200PCS	Paper/Transparent
RJ1803102-0G	K3EDTA	● Purple	13x75	2mL	GLASS	100PCS/1200PCS	Paper/Transparent
RJ1803103-0P	K3EDTA	● Purple	13x75	3mL	PET	100PCS/1200PCS	Paper/Transparent
RJ1803103-0G	K3EDTA	● Purple	13x75	3mL	GLASS	100PCS/1200PCS	Paper/Transparent
RJ1803104-0P	K3EDTA	● Purple	13x75	4mL	PET	100PCS/1200PCS	Paper/Transparent
RJ1803104-0G	K3EDTA	● Purple	13x75	4mL	GLASS	100PCS/1200PCS	Paper/Transparent
RJ1803205-0P	K3EDTA	● Purple	13x100	5mL	PET	100PCS/1200PCS	Paper/Transparent
RJ1803205-0G	K3EDTA	● Purple	13x100	5mL	GLASS	100PCS/1200PCS	Paper/Transparent
RJ1803206-0P	K3EDTA	● Purple	13x100	6mL	PET	100PCS/1200PCS	Paper/Transparent
RJ1803206-0G	K3EDTA	● Purple	13x100	6mL	GLASS	100PCS/1200PCS	Paper/Transparent
RJ1803207-0P	K3EDTA	● Purple	13x100	7mL	PET	100PCS/1200PCS	Paper/Transparent
RJ1803207-0G	K3EDTA	● Purple	13x100	7mL	GLASS	100PCS/1200PCS	Paper/Transparent
RJ1803308-0P	K3EDTA	● Purple	16x100	8mL	PET	100PCS/1200PCS	Paper/Transparent
RJ1803308-0G	K3EDTA	● Purple	16x100	8mL	GLASS	100PCS/1200PCS	Paper/Transparent
RJ1803309-0P	K3EDTA	● Purple	16x100	9mL	PET	100PCS/1200PCS	Paper/Transparent
RJ1803309-0G	K3EDTA	● Purple	16x100	9mL	GLASS	100PCS/1200PCS	Paper/Transparent
RJ1803310-0P	K3EDTA	● Purple	16x100	10mL	PET	100PCS/1200PCS	Paper/Transparent
RJ1803310-0G	K3EDTA	● Purple	16x100	10mL	GLASS	100PCS/1200PCS	Paper/Transparent