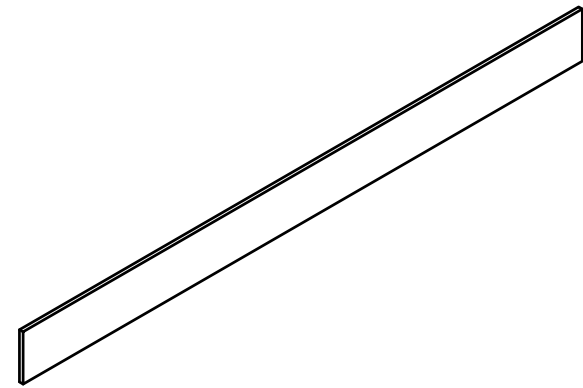
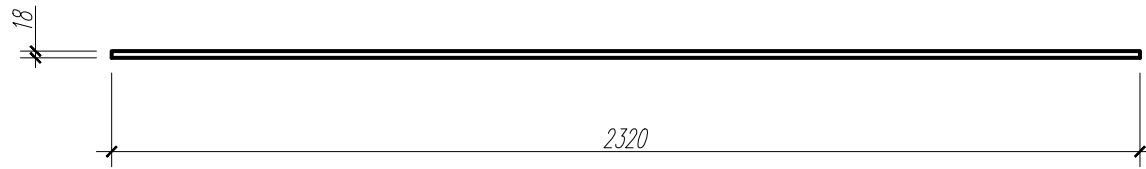
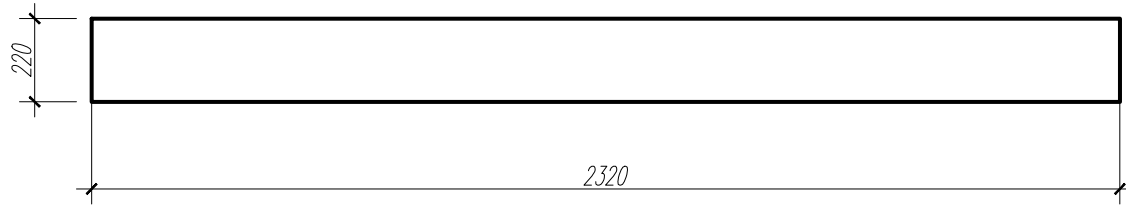
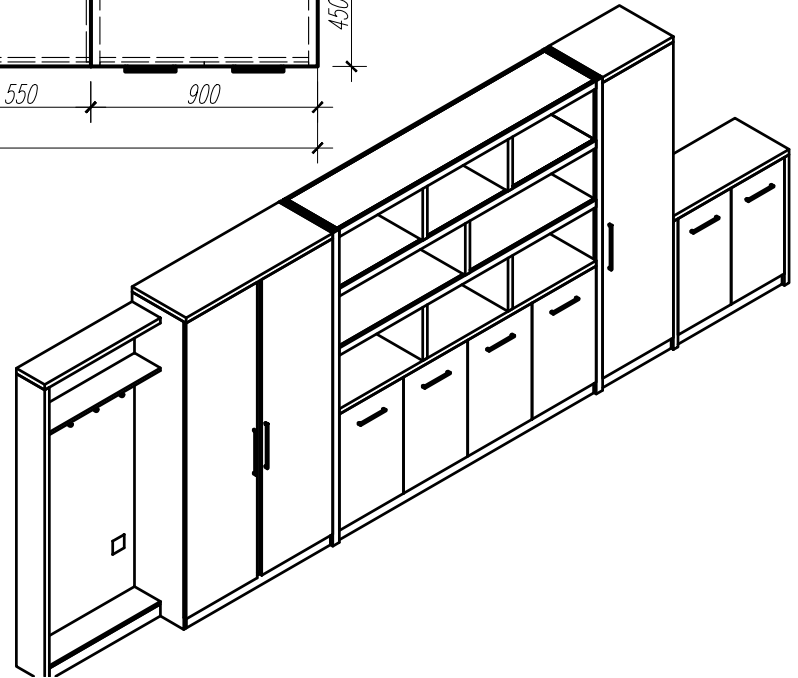
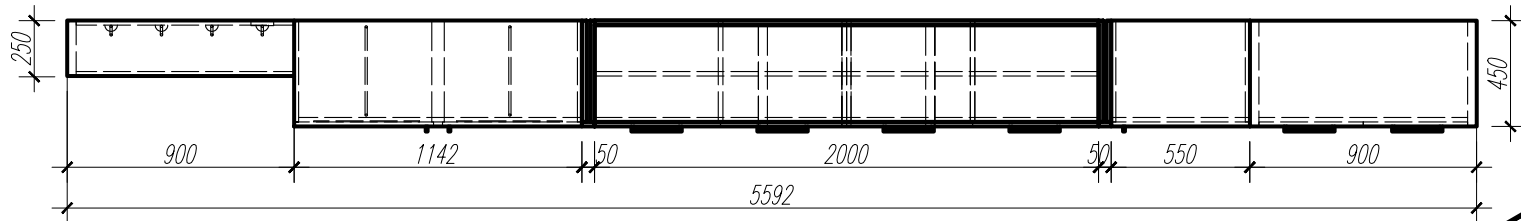
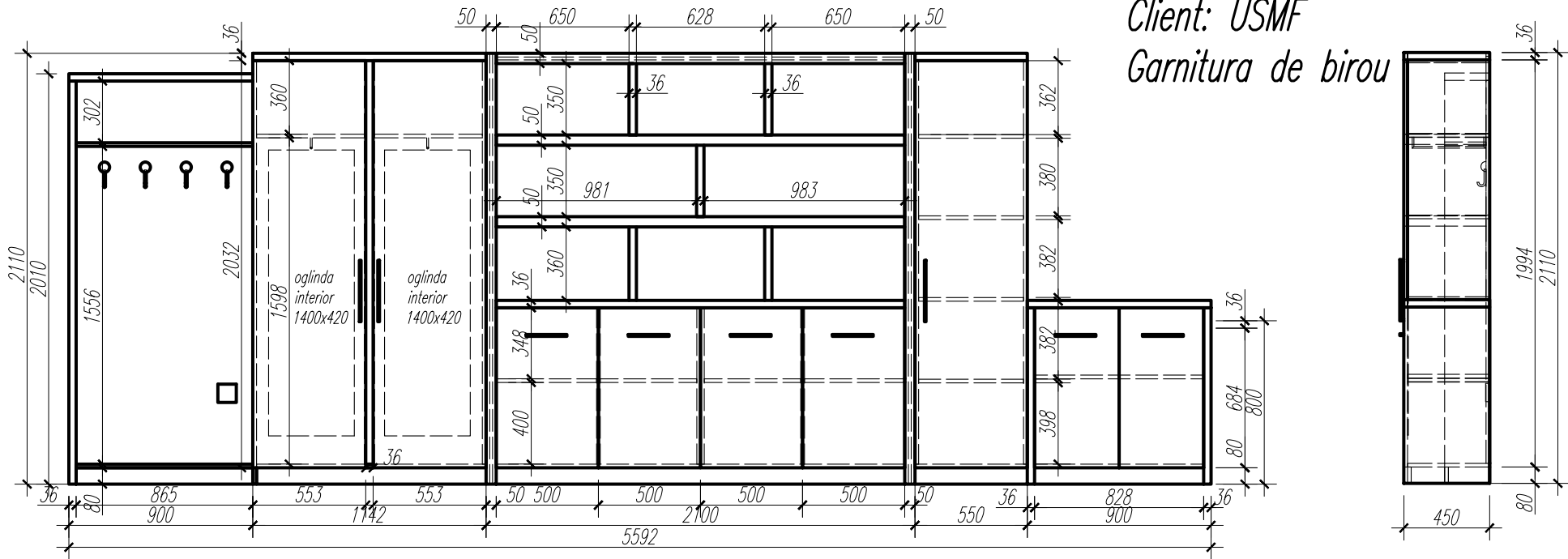
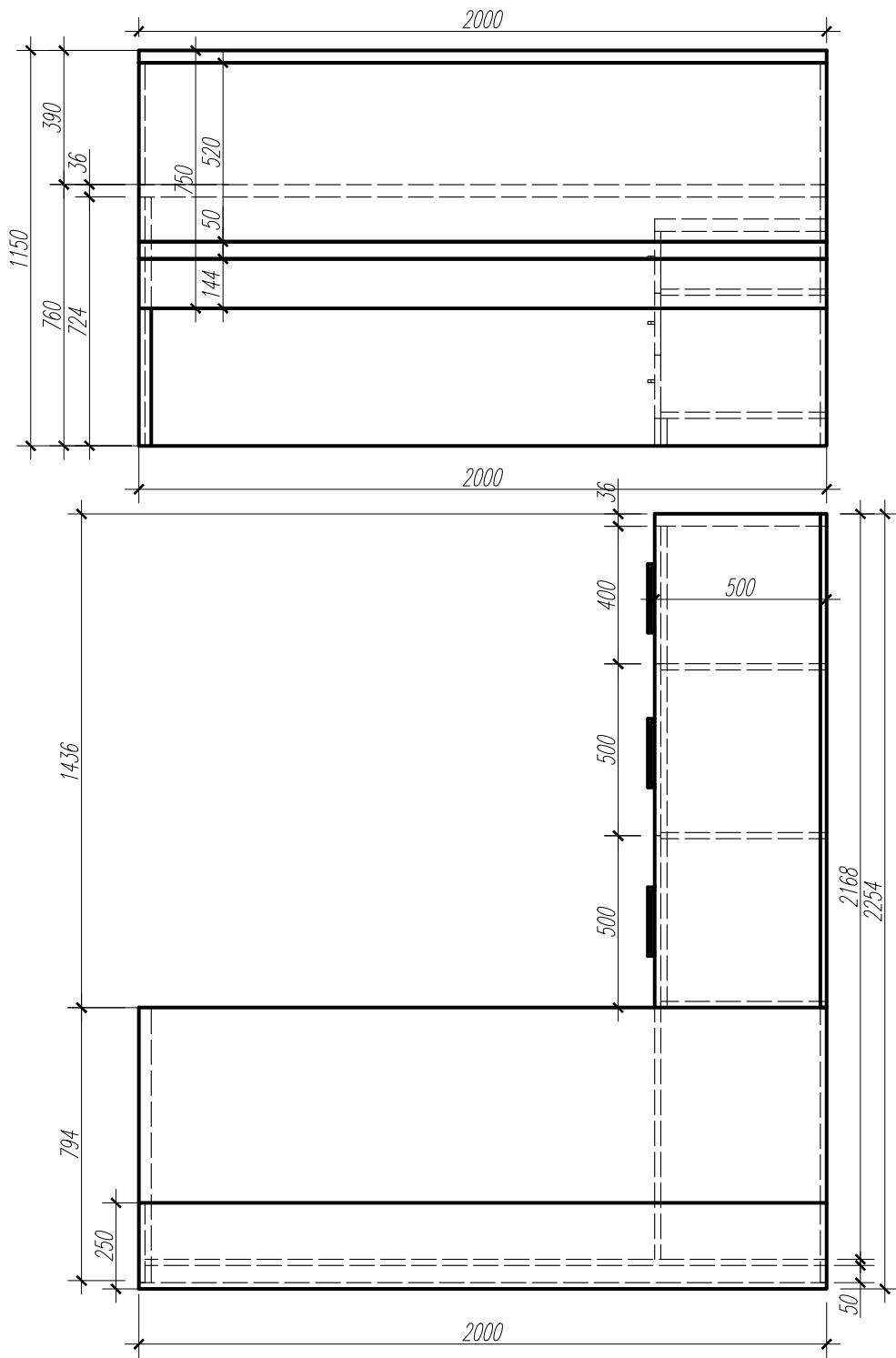


*Client: USMF*  
***BRIU***

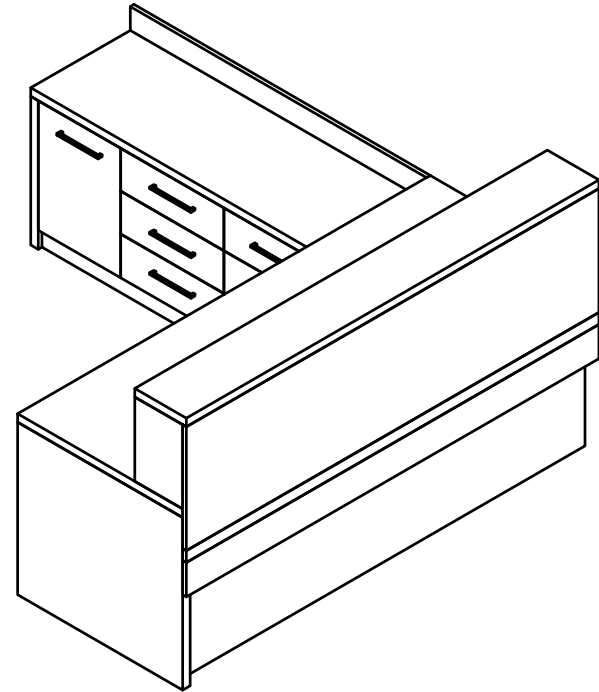
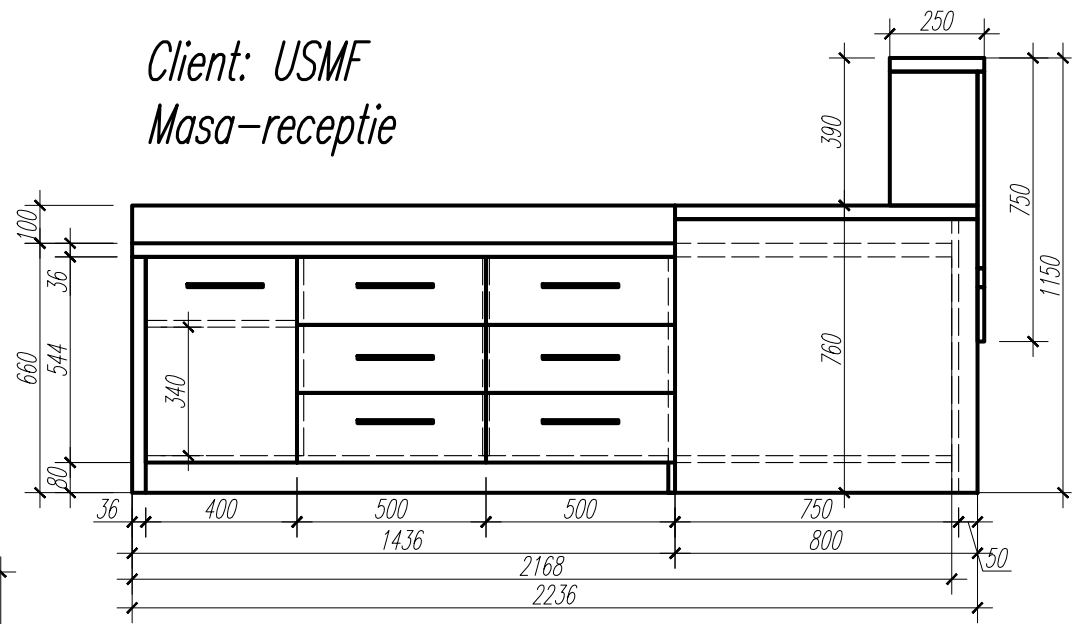


Client: USMF  
Garnitura de birou

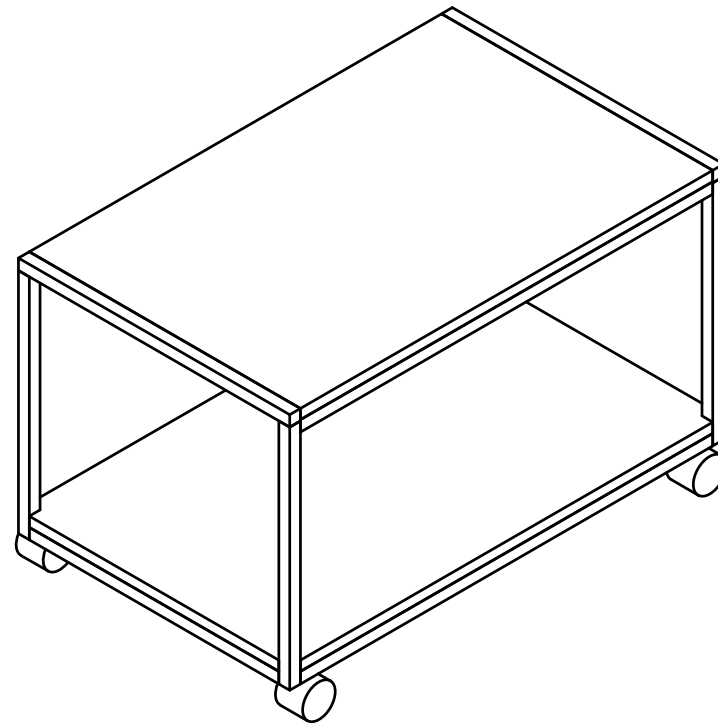
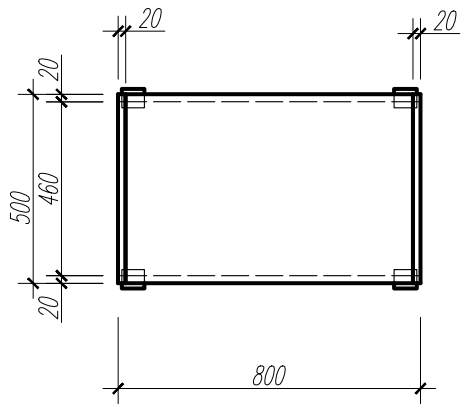
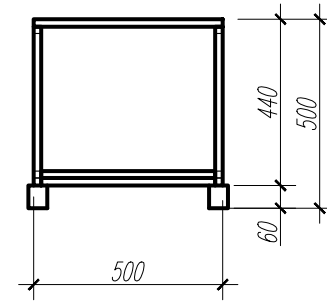
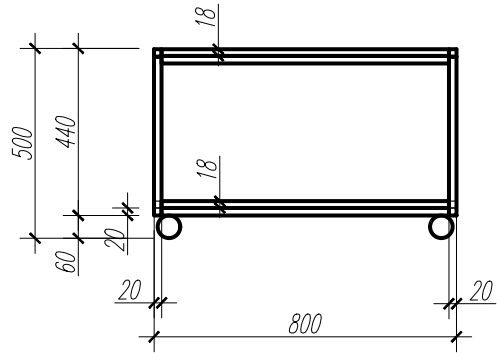




Client: USMF  
Masa-receptie



client: USMF  
MASA REVISTE



1 buc.

Client: USMF  
Plan- anticamera

