



INDOOR SINGLE PHASE SUPPORT TYPE CAST RESIN INSULATED VOLTAGE TRANSFORMERS

(Um=3,6kV.....24kV BLOCK TYPES)

Types:
VTB 10-S
VTB 10-K
VTB 20
VTB 20-K

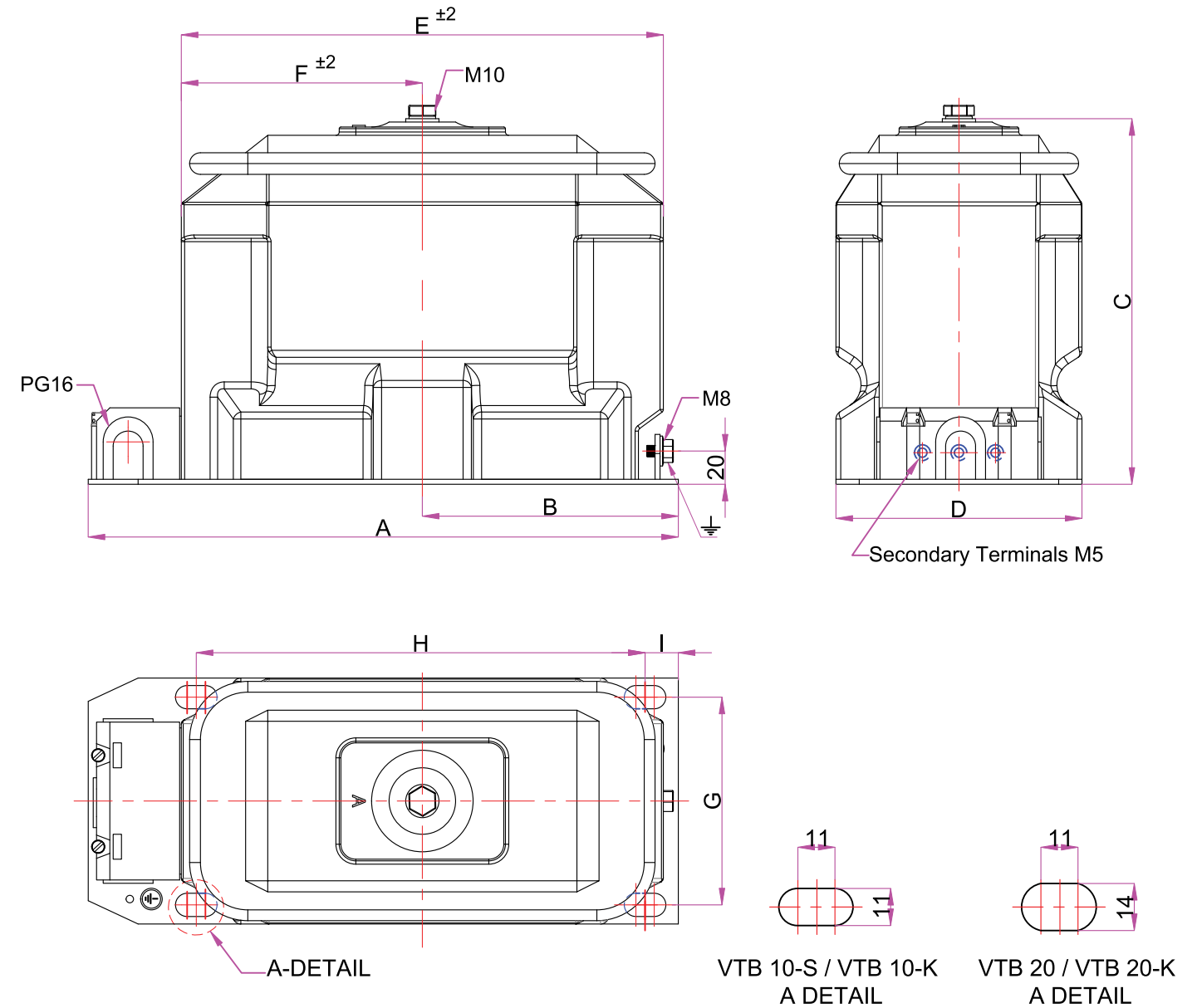
Technical Data

Types	VTB 10-S	VTB 10-K	VTB 20	VTB 20-K		
Operating voltage, Um (kV)	3,6	7,2	12	17,5	17,5	24**
Rated power-frequency withstand voltage (1 minute) (kV)	10	20	28	38	38	50
Rated impulse test voltage (1.2/50 μs) full wave (kV)	40	60	75	95	95	125
Rated frequency (Hz)	50-60					
Rated primary voltage (max.) (kV)	12/√3			24/√3		
Secondary voltage (V)	100/√3	110/√3	120/√3	100/3	110/3	120/3
Rated burden (max.) in class 0,2 (VA)	30			50		
Rated burden (max.) in class 0,5 (VA)	100			120		
Rated burden (max.) in class 1 (VA)	200			250		
Rated burden for protection purpose in class 3P (VA)	100					
Rated voltage factor (30 sec. or 8h) (Un)	1,9					
Insulation class	E					
Ambient temperature (°C)	-25.....+40*					
Altitude (m)	1000					
Standard	According to the customer requirements					
Weight (approx.) (kg)	27			37		

* It can be produced according to customer's specified ambient temperature. Please contact with ARTECHE for feasibility.
** For more kV, please contact with ARTECHE for feasibility.

INDOOR SINGLE PHASE SUPPORT TYPE CAST RESIN INSULATED VOLTAGE TRANSFORMERS TECHNICAL DRAWING

(Um=3,6kV.....24kV BLOCK TYPES)



Types	A	B	C	D	E	F	G	H	I
VTB 10-S	355	155	220	148	290	145	125	270	20
VTB 10-K	355	155	220	148	290	145	125	270	20
VTB 20	355	155	280	178	290	145	150	280	20
VTB 20-K	355	155	280	178	290	145	150	280	20

TIGHTENING TORQUE (Nm)	min.	max.
M5 (Secondary Terminal)	2.5	3.5
M8 (Ground Terminal)	15	20
M10 (Primary Terminal)	30	40

- All dimensions are in mm.
- Tolerances are according to DIN 7168-g when not specified.
- Artech reserves the right to change the specifications and the dimensions of the goods. Please ask for updated information.
- Customer designed products are also available.