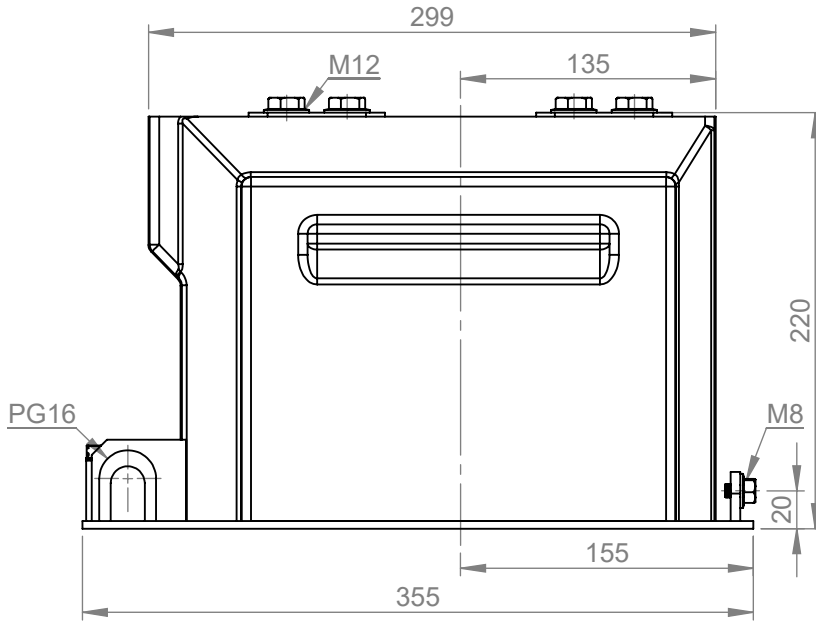
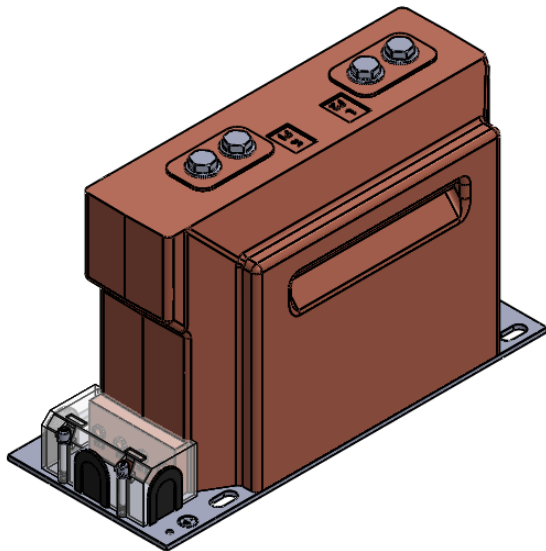
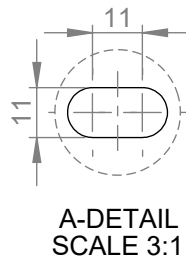
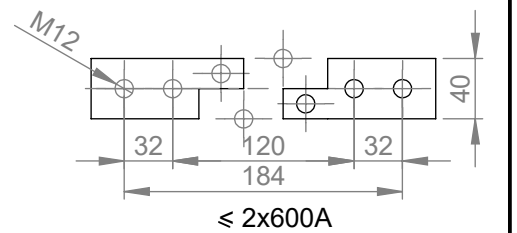
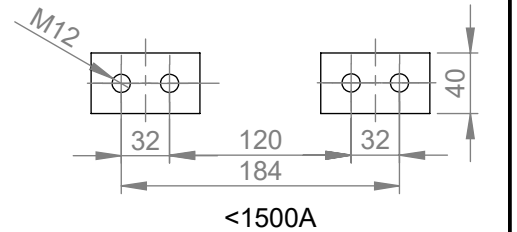
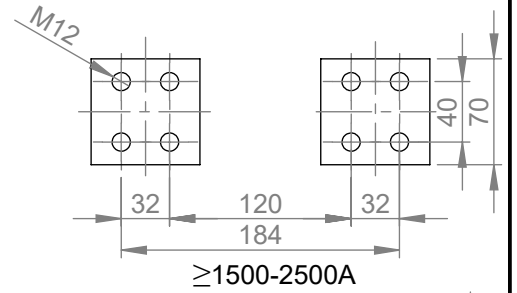
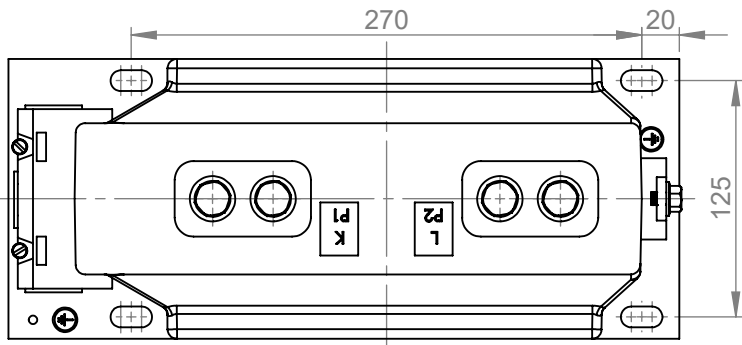
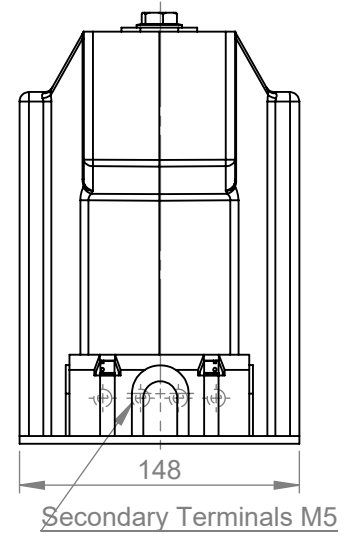


REV 1	M8 earthing terminal has been revised.	01/07/2011
REV 2	300mm has been revised as 299mm	31/05/2012
REV 3		




INFORMATION



TIGHTENING TORQUE (Nm)	Min.	Max.
M5 (Secondary Terminal)	2.5	3.5
M8 (Ground Terminal)	15	20
M12 (Primary Terminal)	60	70

NOTE: All dimensions are in mm.
Secondary terminals are at P1 (at P2 according to request).
Small deviations in dimensions and construction possible.

UNIT	PARTNAME	ITEM	MTRL.DIMEN.	MTRL.COD.	DRAWING NO.	CAST RESIN MTRL.TYPE
REV.	DRW.BY	DATE	NAME	SIGNATURE		
TOLERANCE DIN 7168-g	CONTROL	DATE	NAME	SIGNATURE		
SCALE	PREPARED BY	CHECK BY	ATB 10-BS CURRENT TRANSFORMER			
					RAW.MTRL.CODE	ALT SAC 3713
					SEMI FINISHED MTRL.	
					5150-00	

COPYRIGHT © ESİTAŞ A.Ş.
 Esitas reserves the right to change the
 specifications and the dimensions of the goods.