

TECHNICAL DATASHEET

Article no.: 7 697 203

LABSOLUTE® FILTRATION UNIT 1000 ML, PORE SIZE 0.22 µm Sterile, PES

PROPERTIES

The LABSOLUTE® filtration units are ideal for filtration of buffer solutions, cell culture media, microbiological media, and other biological fluids. The PES membrane guarantees good flow through times and low protein binding.

Scope of delivery	Filter funnel with vacuum connection and lid, filtrate bottle and the associated screw cap
Membrane	Polyethersulfone (PES)
Pore size	0.22 µm
Ø filter	91.6 mm
Dimensions	See technical drawing
Volume	1000 ml
Bubble point (H ₂ O)	53.0 – 69.0 psi
Flow rate (H ₂ O)	19.3 – 34.6 ml/min/cm ² at 0.7 bar or 10 psi
Sterility	Gamma irradiated, SAL 10 ⁻⁶ (Sterility assurance Level), ISO 11137
Autoclavable	No
Temperature range	-20 to 50°C
Purity	Manufactured in a class 100,000 cleanroom environment
	Free of DNase/RNase
	Free of pyrogens
Storage	Dry conditions, room temperature
Shelf life	3 years after production date

PACKAGING

Subpackaging	Individually in plastic packaging
Plates per case	12
Dimensions (W x H x D)	426 x 348 x 547 mm

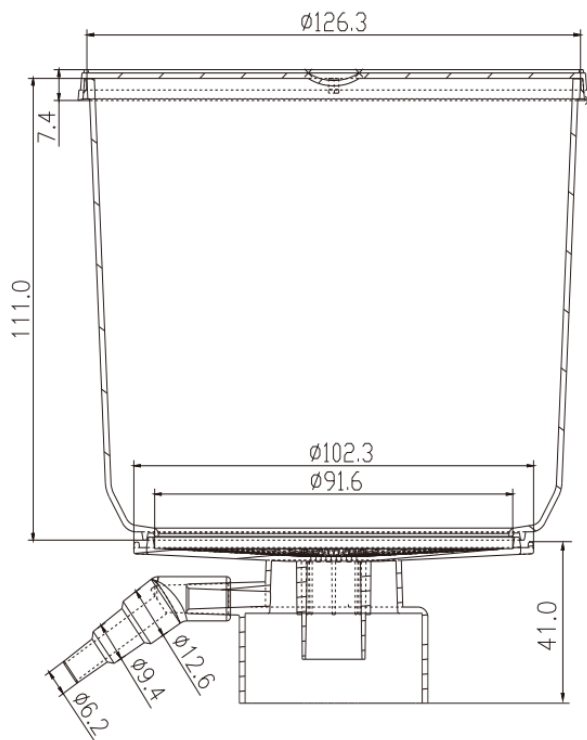
TECHNICAL DATASHEET

Article no.: 7 697 203

LABSOLUTE® FILTRATION UNIT 1000 ML, PORE SIZE 0.22 µm
Sterile, PES

TECHNICAL DRAWING AND PICTURE

Dimension unit: mm



Updated: 07 May 2025