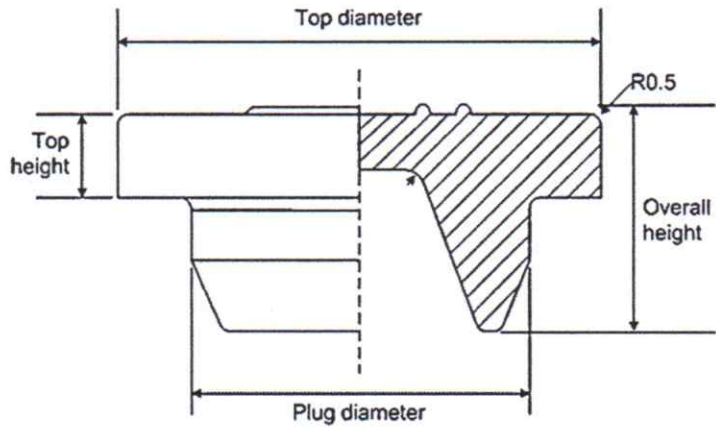




HONJIN



MATERIAL: Brominated butyl rubber		
STERILIZATION TEMPERATURE:132±0.2 °C		
SIZE	TOP DIAMETER	31,0±0,25 mm
	PLUG DIAMETER	24,2±0.2 mm
	OVERALL HEIGHT	14,6±0.4 mm
	TOP HEIGHT	4,6±0.3 mm
PHYSICAL FUNCTION	POWER OF PUNCTURE	≤10N
	ASH	Residue left ≤ 50%
CHEMICAL FUNCTION	VOLATILE SULFIDES	≤50ugNa ₂ S/20cm ²
	CLARITY AND COLOR	Clarity ≤ No.2 Color ≤ Kelly No.5
	PH	Disparity between with blank liquid≤1.0
	ULTRAVIOLET ABSORBENCY	(220-360nm)A _{max} ≤0.20
	NO-VOLATILE MATTER	≤4.0mg/100ml
	READILY OXIDIZABLE SUBSTANCES	≤7.0ml
	HEAVY METALS	≤1PPM
	AMMONIUM	≤0.0002%
ZINC	≤0.0003%	
	ELECTRICAL CONDUCTIVITY	≤40.0µs/cm
Produce basis : ISO8362-2-2015		

Shanxi Hongjin Medical Glass Co.,Ltd			Title: Pharmaceutical Rubber Stoppers 32-A		
		UNIT:	GEN. TOLERANCE:		SIZE: A4 REV:0
DRAWING BY:	DEPARTMANTION	NAME - SURNAME	SIGN	DATE	DWG NO: HJ-RS-32A
Hou Mingzhen	FACTORY MANAGER	Yang Wen			FILE:
Date:	QA / RA	Pei Zhuo			
2024/12/30					SCALE: 1/1 PAGE:1