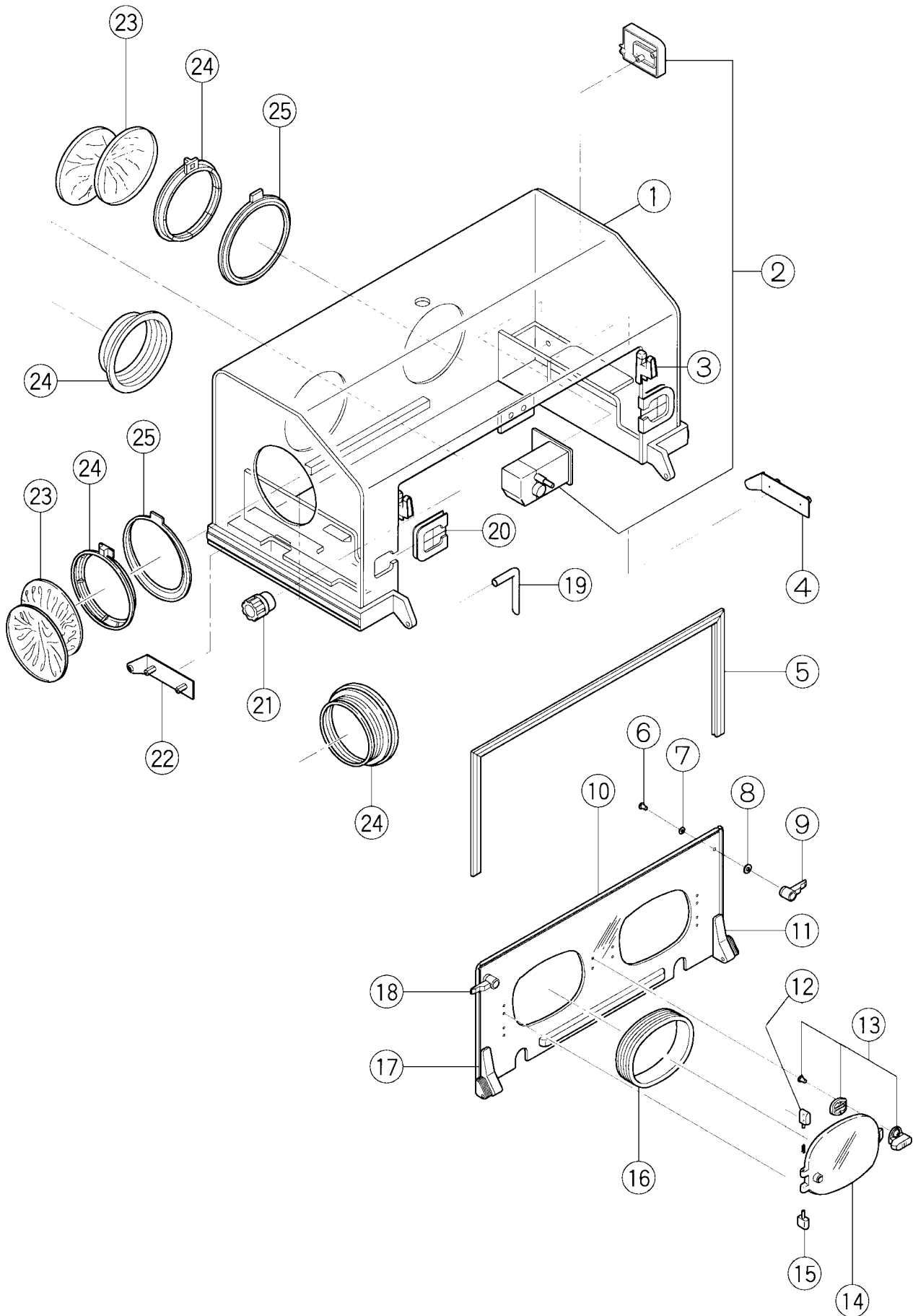


Atom Infant Incubator V-85

Service Manual and Replacement Parts List

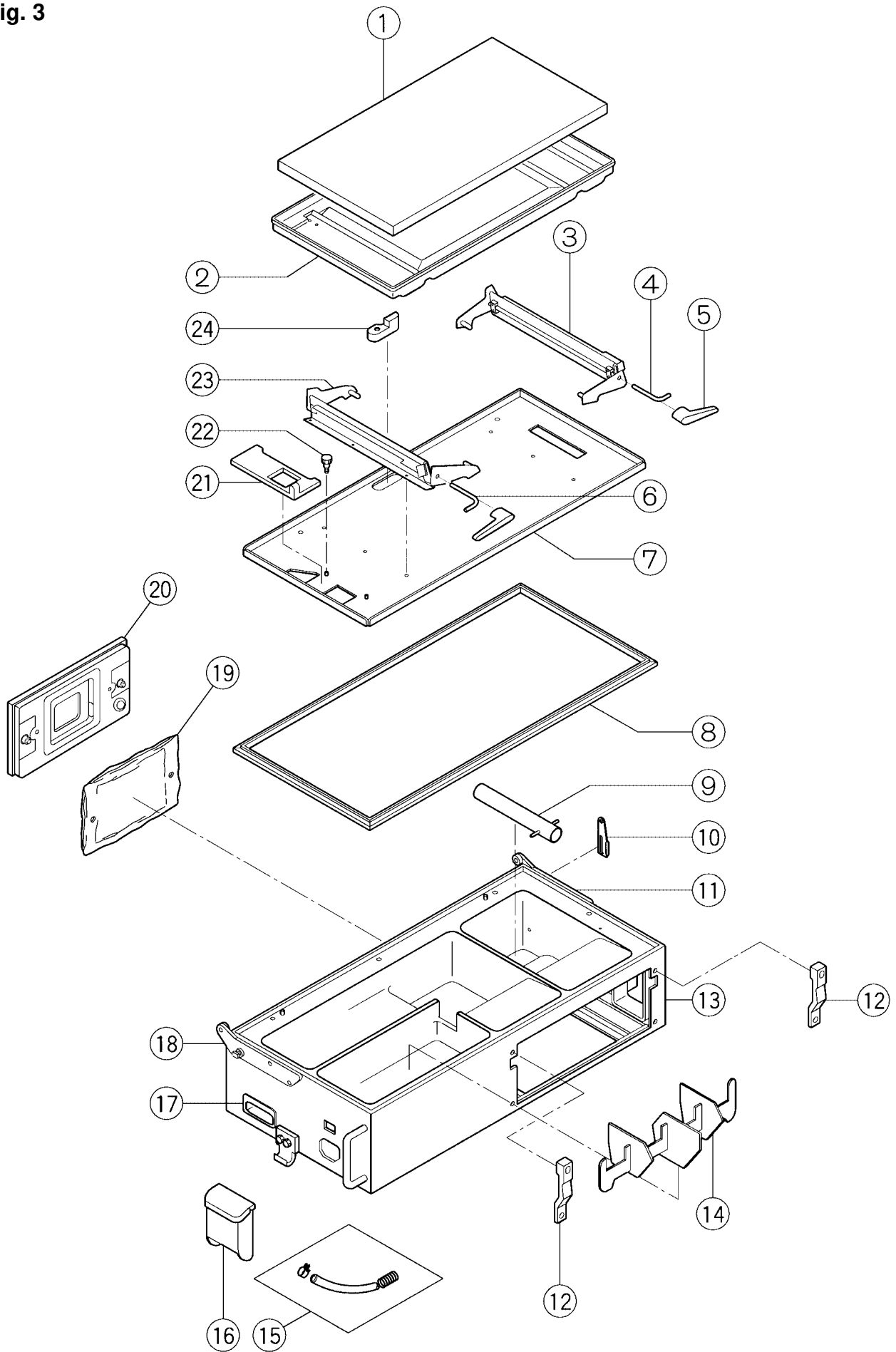
- This Manual describes various kinds of inspection needed to ensure proper operation of the Atom Infant Incubator V-85 as well as instructions for troubleshooting, those procedures to change settings which are not mentioned in the Operation Manual and important points to bear in mind in handling the unit.
- Various kinds of inspection, including routine inspection, are described in detail in this Manual. They should be carried out only by those who are fully familiar with the operation of this unit, having adequate technical knowledge and skills required in the inspection of equipment in general.
- If repairs seem required as a result of any inspection described in this Manual, either personnel with more advanced knowledge and skills should undertake the repair or you should contact your Atom distributor for repair service.

Fig. 2



<u>Fig.-No.</u>	<u>Part Name</u>	<u>Part No.</u>
2-1	Hoodassembly	C56-0010
2-2	Sensormoduleassembly	C56-0020
2-3	Frontadmittancepaneloperatingknobcatchassembly	C56-0030
2-4	Hoodhinge(right)assembly	C56-0040
2-5	Frontadmittancepanelpacking	C231210
2-6	Frontadmittancepaneloperatingknobaxis	C121330
2-7	Washer ϕ 6.5X ϕ 12Xt0.5	V033004
2-8	Washer ϕ 6.5X ϕ 18Xt1	V033018
2-9	Frontadmittancepaneloperatingknob(right)assembly	C50-0020
2-10	Frontadmittancepanel	C561320
2-11	Frontadmittancepanelhinge(right)assembly	C56-0050
2-12	Snap-openaccesssportHINGE(withspring)assembly	C50-0060
2-13	Hooksliderassembly	C50-0080
2-14	Snap-openaccesssportassembly	C50-0070
2-15	Snap-openaccesssportHINGEassembly	C50-0090
2-16	Snap-openaccesssportpacking	C551900
2-17	Frontadmittancepanelhinge(left)assembly	C56-0060
2-18	Frontadmittancepaneloperatingknob(left)assembly	C50-0110
2-19	Humiditycontrollever	C401111
2-20	Tubeaccessholepacking	C401140
2-21	Humiditycontrolknobassembly	C56-0070
2-22	Hoodhinge(left)assembly	C56-0080
2-23	Accessportcover	C016032
2-24	Irisaccessport	C011470
2-25	Accessportpacking	C011490

Fig. 3



<u>Fig.-No.</u>	<u>Part Name</u>	<u>Part No.</u>
3-1	Mattress	C012421
3-2	Mattressplatformassembly	C56-0090
3-3	Mattressplatformtiltingarm(right)assembly	C56-0100
3-4	Mattressplatformtiltingarm(right)	C233252
3-5	Mattressplatformtiltingknobassembly	C56-0110
3-6	Mattressplatformtiltingarm(left)	C233262
3-7	Maindeckassembly	C56-0120
3-8	Maindeckpacking	C012440
3-9	Airintakepipe	C402130
3-10	Hoodstopper	C561680
3-11	Incubatorbasehinge(right)assembly	C56-0130
3-12	Powerunitlockplate	C233050
3-13	Incubatorbaseassembly	C56-0140
3-14	Humidityreservoirpartitionplate	C012410
3-15	Humiditychamberhoseassembly	C56-0150
3-16	Humiditychamberassembly	C56-0160
3-17	Handle	Y061016
3-18	Incubatorbasehinge(left)assembly	C56-0170
3-19	F-6Eelectrostaticfilter	C500650
3-20	Filtercoverassembly	C50-0350
3-21	Humidificationcontrolslidingplateassembly	C56-0180
3-22	Setscrewfor slidingplate	C561431
3-23	Mattressplatformtiltingarm(left)assembly	C56-0190
3-24	Maindecklocklever	C233341