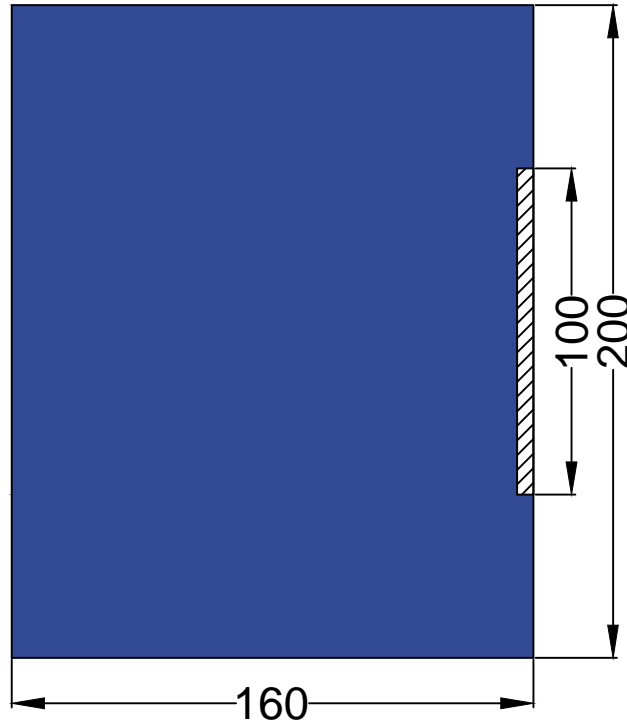




SMMS 35 GSM



DOUBLE SIDED TAPE



MEDICAL COVER 160X200CM

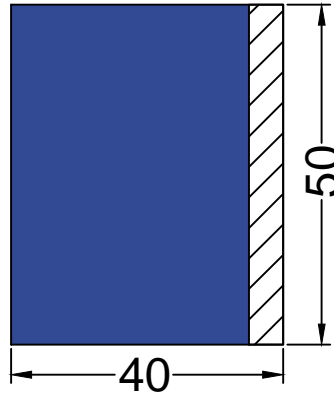
NUREL MEDİKAL SAN. VE TİC. A.Ş			TITLE: MEDICAL COVER 160X200CM			
		UNIT: CM	GEN. TOLERANCE: ±5		SIZE: A4	REV:0
DRAWING BY: EMRAH ÇELİK	APPROVAL	DEPARTMANTION	NAME - SURNAME	SIGN	DATE	DWG NO: NMN 2021-3149
DATE:31.08.2021		DIRECTOR OF DESING AND COMMERCIAL OPERATIONS	REMZİ ÇAKMAK			FILE:
		QA / RA	TURGUT VEFA ENGİN			
					SCALE:1/10	PAGE:1



SMMS 35 GSM



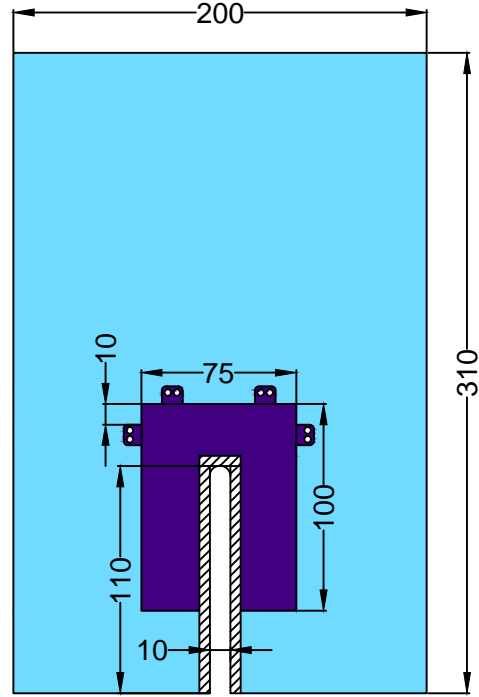
DOUBLE SIDED TAPE



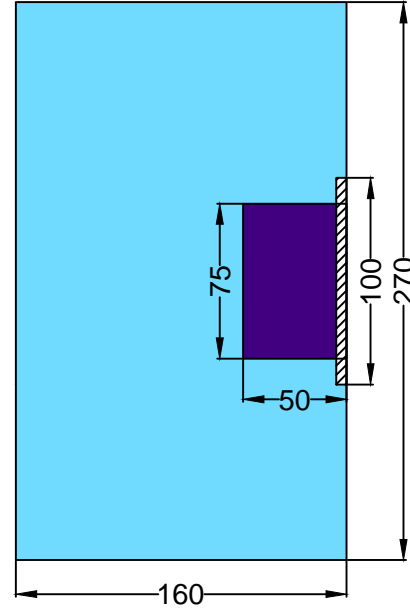
MEDICAL COVER 40X50CM

NUREL MEDİKAL SAN. VE TİC. A.Ş			TITLE: MEDICAL COVER 40X50CM				
		UNIT: CM	GEN. TOLERANCE: ±5			SIZE: A4	REV:0
DRAWING BY: EMRAH ÇELİK	APPROVAL	DEPARTMANTION	NAME - SURNAME	SIGN	DATE	DWG NO: NMN 2021-3150	
DATE:31.08.2021		DIRECTOR OF DESING AND COMMERCIAL OPERATIONS	REMZİ ÇAKMAK			FILE:	
		QA / RA	TURGUT VEFA ENGİN				
						SCALE:1/10	PAGE:1

	SMMS 40 GSM		BIFLEX 150CM BLUE 50 GR PEVA
	TRIPLEX 104 GSM		ORT 75 CM 30 GR SPUNBOND
			BLUE PE 50MIC / SPUNBOND 30GR



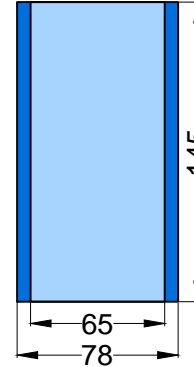
U-SHAPED COVER 200X310 CM



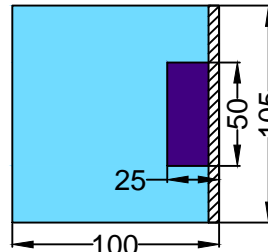
UPPER COVER 160X270 CM



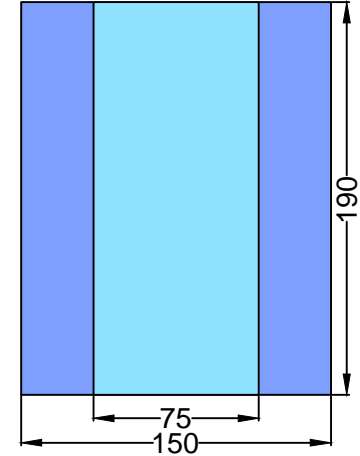
OP TAPE 10X50CM



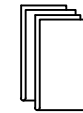
COVER FOR MAYO TABLE  
78X145CM




COVER FOR LATERAL PART  
100 X 105 CM 2 PCS







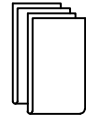
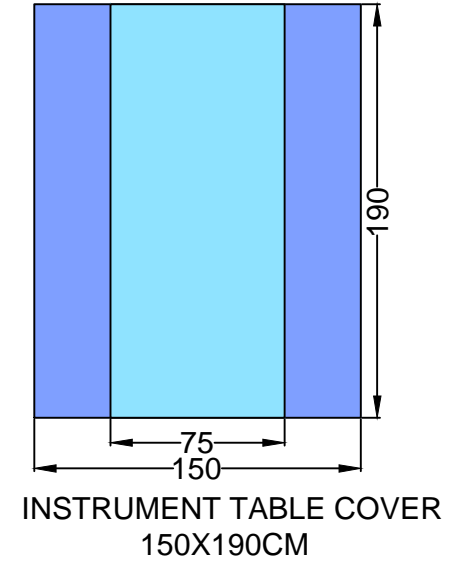
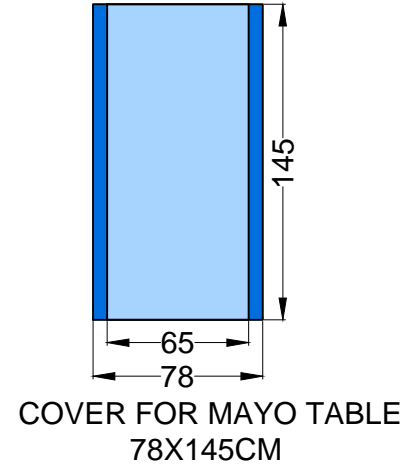
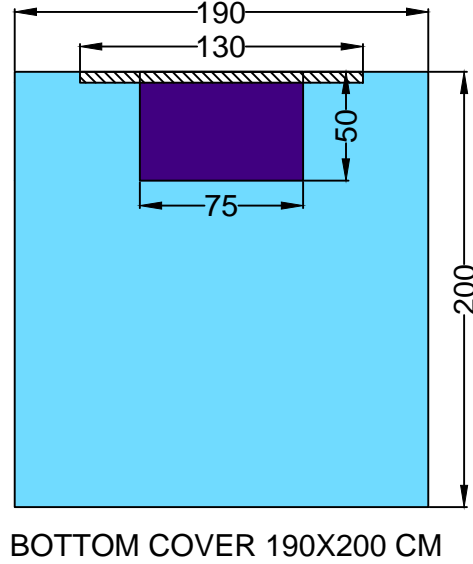
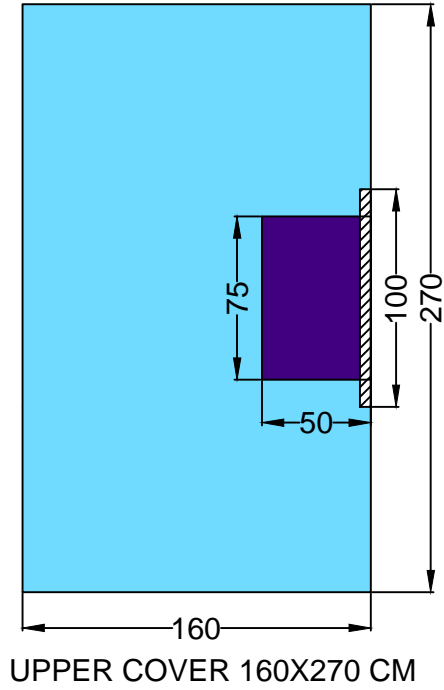
INSTRUMENT TABLE COVER  
150X190CM



NAPKIN FOR ABSORPTION  
2 PCS

NUREL MEDİKAL SAN. VE TİC. A.Ş		TITLE: Surgical set for labor interventions (with long duration), sterile			
		UNIT: CM	GEN. TOLERANCE: ±5		SIZE: A4
DRAWING BY: EMRAH ÇELİK	APPROVAL	DEPARTMENTION	NAME - SURNAME	SIGN	DATE
DATE:31.08.2021		DIRECTOR OF DESING AND COMMERCIAL OPERATIONS	REMZİ ÇAKMAK		
		QA / RA	TURGUT VEFA ENGİN		
					DWG NO: NMN 2021-3153
					FILE:
					SCALE:1/10
					PAGE:1


-  SMMS 40 GSM
  BIFLEX 150CM BLUE 50 GR PEVA  
 TRIPLEX 104 GSM
  BLUE PE 50MIC / SPUNBOND 30GR









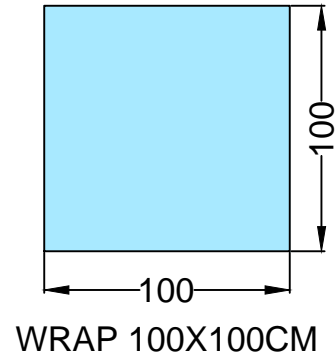
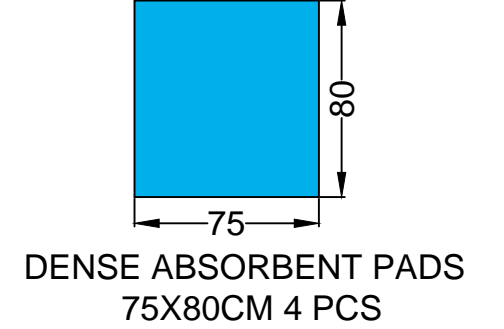
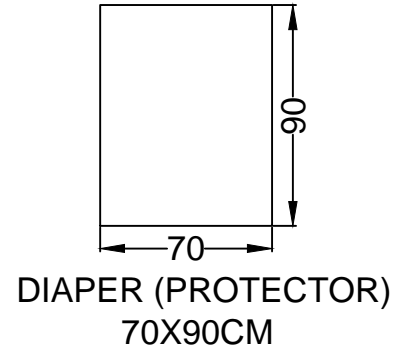
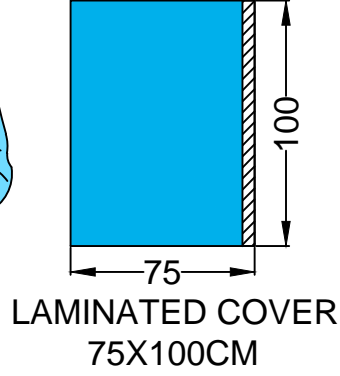
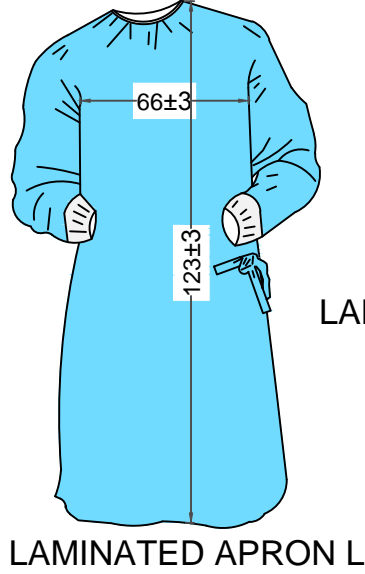
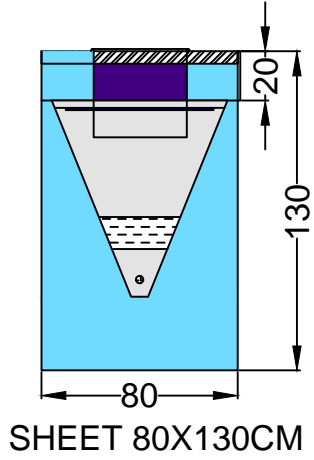
NAPKIN FOR ABSORPTION  
2 PCS




OP TAPE 10X50CM

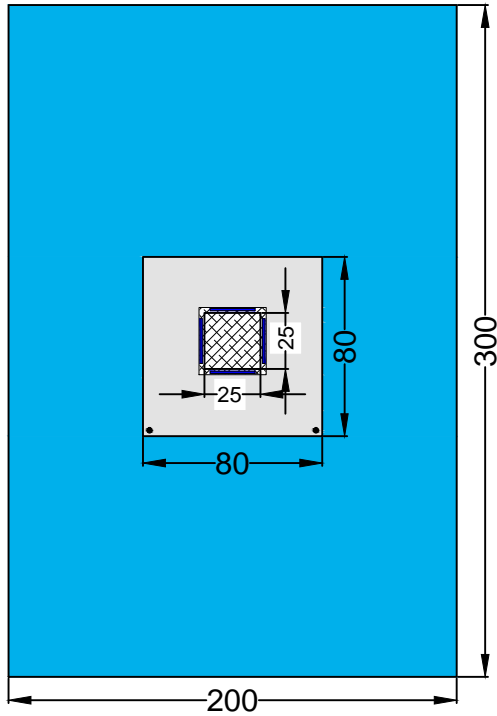
NUREL MEDİKAL SAN. VE TİC. A.Ş			TITLE: Standard sterile surgical set		
		UNIT: CM	GEN. TOLERANCE: ±5		SIZE: A4
DRAWING BY: EMRAH ÇELİK	APPROVAL	DEPARTMANTION	NAME - SURNAME	SIGN	DATE
		DIRECTOR OF DESING AND COMMERCIAL OPERATIONS	REMZİ ÇAKMAK		
DATE:31.08.2021		QA / RA	TURGUT VEFA ENGIN		
					SCALE:1/10
					PAGE:1

	SMMS 40 GSM		DOUBLE SIDED TAPE
	TRIPLEX 104 GSM		TRANSPARENT 80 MIC PE
	BIFLEX SPUNBOND		WRAP

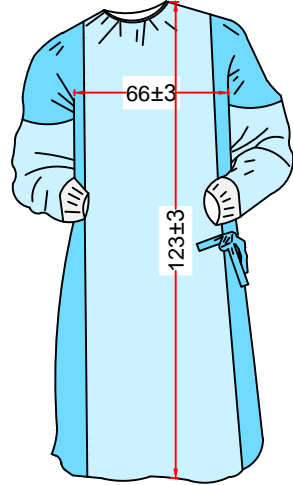


NUREL MEDİKAL SAN. VE TİC. A.Ş			TITLE: Birth set		
		UNIT: CM	GEN. TOLERANCE: ±5		SIZE: A4
DRAWING BY: EMRAH ÇELİK	APPROVAL	DEPARTMANTION	NAME - SURNAME	SIGN	DATE
		DIRECTOR OF DESING AND COMMERCIAL OPERATIONS	REMZİ ÇAKMAK		
		QA / RA	TURGUT VEFA ENGIN		
DATE:31.08.2021					DWG NO: NMN 2021-3155
					FILE:
					SCALE:1/10
					PAGE:1

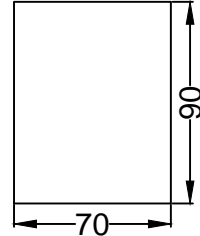
- BIFLEX SPUNBOND
- WRAP
- SMMS 40 GSM+28 GSM
- TRANSPARENT 80 MIC PE
- INCISION
- SMMS 40 GSM



CESAREAN DRAPE 200X300CM



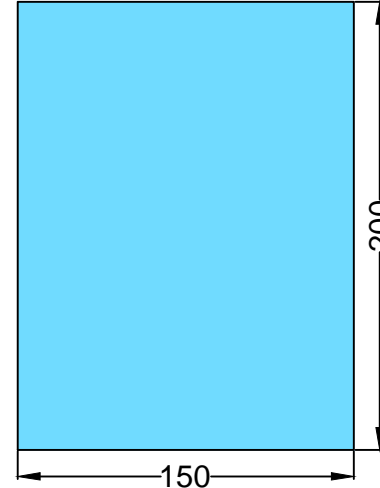
SURGICAL GOWN L  
2 PCS



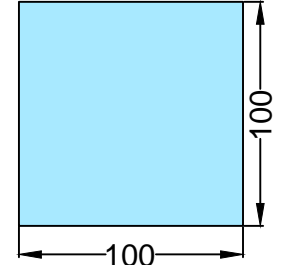
COVER FOR NEWBORN  
70X90CM



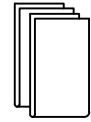
UMBILICAL CLIP



INSTRUMENT TABLE COVER  
150X200CM



SHEET 100X100CM



HAND TOWEL  
2 PCS

NUREL MEDİKAL SAN. VE TİC. A.Ş			TITLE: Cesarian set				
		UNIT: CM	GEN. TOLERANCE: ±5			SIZE: A4	REV:0
DRAWING BY: EMRAH ÇELİK	APPROVAL	DEPARTMANTION	NAME - SURNAME	SIGN	DATE	DWG NO: NMN 2021-3156	
DATE:31.08.2021		DIRECTOR OF DESING AND COMMERCIAL OPERATIONS	REMZİ ÇAKMAK			FILE:	
		QA / RA	TURGUT VEFA ENGIN				
						SCALE:1/10	PAGE:1