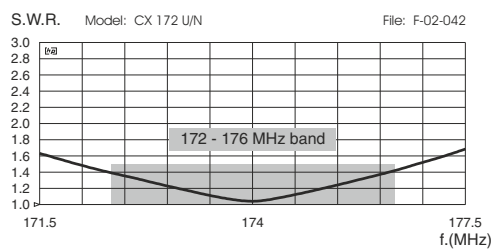
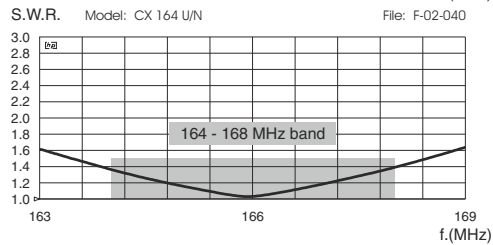
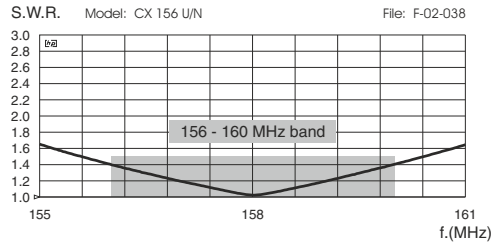
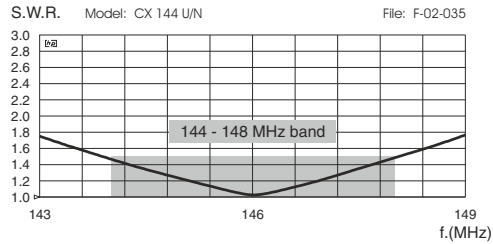
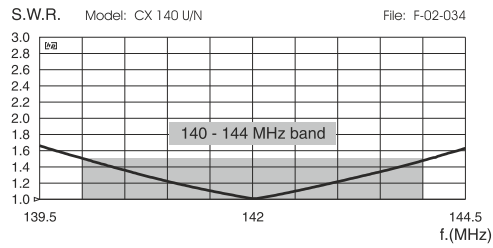
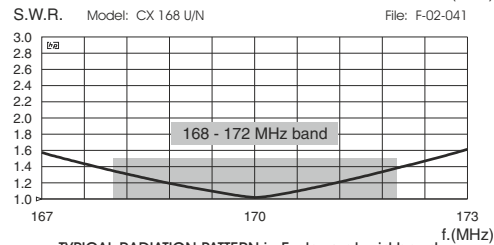
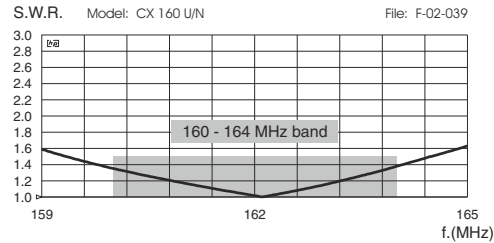
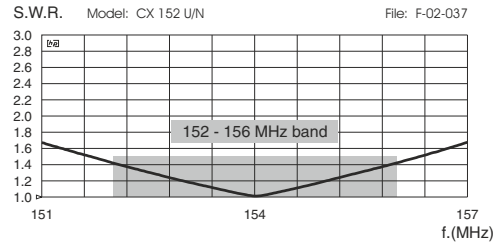
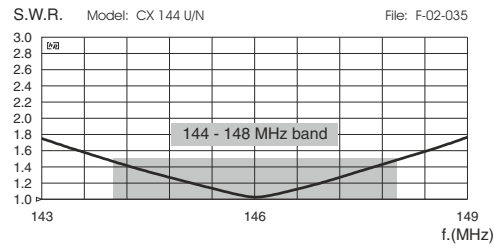


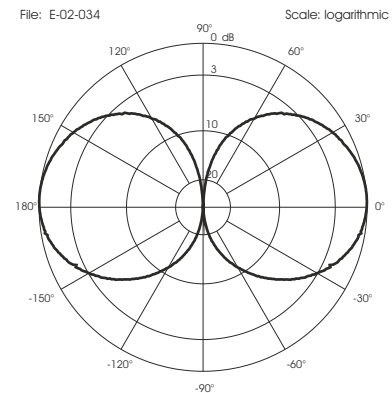
TYPICAL S.W.R. RESPONSE



TYPICAL S.W.R. RESPONSE



TYPICAL RADIATION PATTERN in E-plane at mid band



CX 2m series

VHF Base Station Antennas 140..176 MHz



Installation Manual



HI-QUALITY ANTENNAS MADE IN ITALY

DESCRIPTION

3/4 λ VHF antenna for base station service made of high quality materials to get the best performance and the maximum efficiency. It is completely manufactured with aluminium tubes and nylon for its great robustness and it is supplied with a solid steel bracket for an easy and safe installation. Its Gamma Match feed makes it earthed for a perfect protection against the static discharges. In the mentioned range of frequencies, adjustments are not required. Simple and strong it is particularly recommended for a professional use.

SPECIFICATIONS

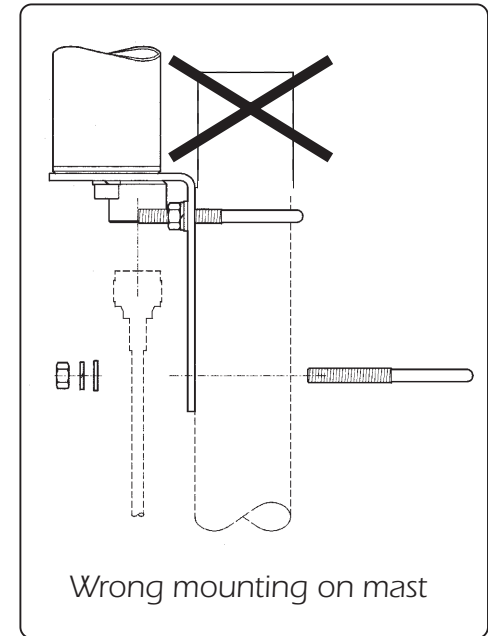
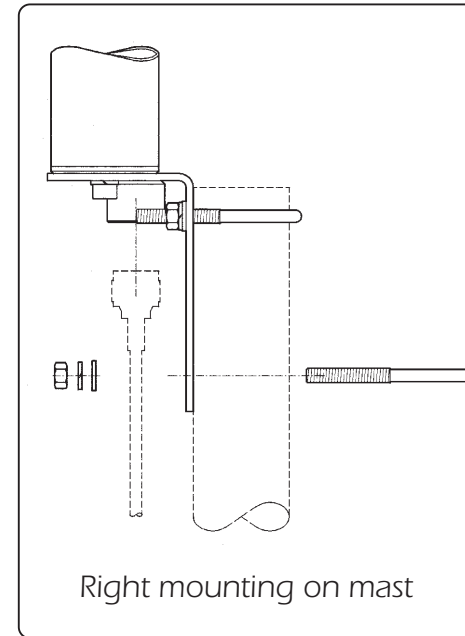
Electrical Data

Type	: 3/4 λ Coax. J-Pole
Frequency Range @ SWR ≤ 1.5	: CX 140 U/N 140 - 144 MHz
	: CX 144 U/N 144 - 148 MHz
	: CX 148 U/N 148 - 152 MHz
	: CX 152 U/N 152 - 156 MHz
	: CX 156 U/N 156 - 160 MHz
	: CX 160 U/N 160 - 164 MHz
	: CX 164 U/N 164 - 168 MHz
	: CX 168 U/N 168 - 172 MHz
	: CX 172 U/N 172 - 176 MHz
Impedance	: 50 Ω
Radiation (H-plane)	: 360° Omnidirectional - HCM code = 000ND00
Radiation (E-plane)	: Beamwidth @ -3 dB = 68° - HCM code = 034ND00
Radiation angle deg.	: 0°
Polarization	: Linear Vertical
Gain	: 0 dBd - 2.15 dBi
Bandwidth @ SWR 2.0	: CX 140 ≥ 6.0 MHz, CX 144 ≥ 7.2 MHz, CX 148 ≥ 7.5 MHz
	: CX 152 ≥ 7.7 MHz, CX 156 ≥ 8.0 MHz, CX 160 ≥ 8.3 MHz
	: CX 164 ≥ 8.3 MHz, CX 168 ≥ 8.9 MHz, CX 172 ≥ 9.2 MHz
SWR @ res. freq.	: ≤ 1.2
Max Power	: 250 Watts
Feed System / Position	: Gamma Match / Base
Connector	: CX series U: UHF-female
	: CX series N: N-female

Mechanical Data

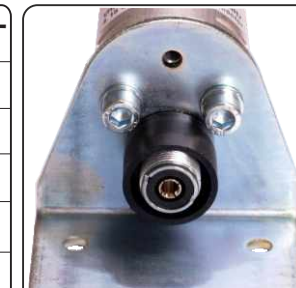
Materials	: Aluminium, Zamak, Steel, Brass
Wind Load / Resistance	: 51 N @ 150 Km/h / 180 Km/h; 112 mi/h
Wind Surface	: 0.04 m ² ; 0.42 ft ²
Height (approx.)	: from 1370 mm - 4.5 ft to 1660 mm - 5.5 ft
Weight (approx.)	: 750 gr; 1.6 lb
Mounting Mast	: ø 35-42 mm; 1.4-1.6 in

MOUNTING INSTRUCTIONS



HARDWARE PARTS LIST

Qty	Descriptions
n.2	U-bolts
n.4	M6 flat washer
n.4	M6 lock washer
n.4	M6 hex nut



Bottom view
UHF-female connector



Bottom view
N-female connector